

LEAD FREE
STAINLESS STEEL
PRODUCT SPECIFICATION
CATALOGUE



A hand is holding a clear glass under a modern, polished chrome faucet. Water is flowing from the faucet into the glass. The faucet has a blue accent on the top. The background is a light-colored wall with a power outlet and a green plant.

G Pure

- Environmentally friendly and safe
- No chrome plating
- Stainless Steel ZERO* Lead, robust and long-lasting
- Recommended Polished & Machine finish for Healthcare applications
- Recommended Satin finish for Commercial applications
- Easily maintained & rejuvenated
- A healthier choice with a lifetime product solution



ABOUT GENTEC

At GENTEC, we focus on partnering with plumbing and building industries to develop and deliver innovative and compliant technical plumbing and building solutions for use within the healthcare, hospitality, commercial, educational and industrial sectors. We are an ISO9001 Quality Certified company. We distribute our commercial tapware, sanitaryware, water temperature control, building management, emergency shower and accessible design performance solutions both in Australia and internationally.

Our highly trained and committed team offers a superior support network that enables us to deliver the very best solutions in a highly efficient and responsive manner. GENTEC embraces and promotes a strong family culture where personal growth and development is nurtured and valued.

Our purpose-built design solutions encompass measurable whole of life cost benefits that enable operational savings critical in today's built environment.



Note: The information provided is only a guide, actual product may differ. The information here should not be relied on without clarification with Gentec. Gentec reserves the right to make design changes at any time without notification. *Subject to terms and conditions, available at <https://gentecaustralia.com.au/terms-and-conditions/>

Disclaimer: Stainless Steel Grades 304 & 316 are manufactured with ZERO Lead.

PRODUCT SOLUTIONS FOR ALL



Designed to Suit Your Needs

GENTEC products have been specially designed for target markets within the commercial industry. These markets have been chosen, so the ranges complement each other and the users can find complete solutions within the GENTEC Range.

Healthcare Risk Prevention Solutions

Hospitals
Aged Care
Medical Clinics
Research Facilities
Accessible Facilities



Our extensive experience and know-how enable us to offer a comprehensive suite of products and solutions for Health and Aged Care applications. We work closely with all the key stakeholders in the health care sector, which gives us a thorough understanding of the critical elements needed to mitigate cross infection and microbial control.

Commercially Fit-for-purpose Solutions

Hotels
Education
Office Buildings
Shopping Centres
Sporting Facilities



High-traffic public facilities demand fit-for-purpose vandal resistant solutions that continue to perform day in and day out with minimal downtime. At GENTEC, understanding the demanding need for safe, effective solutions with designs and technology that embody a strong service life is at the core of our offerings. Water and energy efficiency is additionally combined into solutions that are fit for today's increasing hygiene demands within commercial facilities.

Hospitality Commercial Products Solutions

Restaurants
Hotels & Clubs
Sporting Facilities
Commercial Kitchens



GENTEC's functional and comprehensive range of solutions for hospitality and food preparation applications have been designed and manufactured for those that demand premium quality fitout of their facilities. Hygiene and performance are critical within this space. At GENTEC, our fit-for-purpose solutions from pre-rinse sprays, touch-free outlets through to water temperature control for safe and hygienic hand washing mesh perfectly together along with superior service life.

Professional & School Laboratory Solutions

Educational Facilities
Mining
Universities
Laboratories
Medical Facilities



Our extensive GENTEC product range offers a variety of option to suit any specific application you may require. The DURALAB range includes bench, pendant or wall systems with services ranging from water to any gas or dry services. This range is complimented by our ECOSAFE safety shower range to provide a complete solution for any scientific scenario.

Health & Safety Solutions for Industrial Applications

Mining
Refineries
Laboratories
Manufacturing
Chemical Plants



Workplace Health and Safety is critical in any workplace. Whilst mitigating risks through the application of sound procedures and processes, many workplaces require the additional use of first response equipment such as emergency showers and eyewash. At GENTEC, our fit-for-purpose compliant solutions are perfectly suited for commercial, industrial, and mining applications that mandate such products for the protection of their workforce who may be exposed to hazardous materials during their day-to-day activities.

Corrections/ Mental Health Solutions

Hospitals
Aged Care Facilities
Corrective Facilities
Police Stations
Public Facilities



We have a range of robust products for use at Corrections/ Mental Health facilities. These products provide the highest level of security with the use of vandal resistant and anti-ligature features. These are easy to use and clean, while providing water and energy savings.

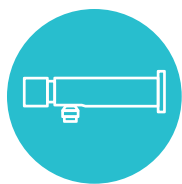


GPURE® FLOSTOP — TIMED FLOW TAPS, BUBBLERS & BOTTLE FILLERS

Reliable, Durable, and Water-Efficient

The GPURE® FLOSTOP Timed Flow tapware range is designed to provide a reliable and durable solution for water conservation in high-traffic areas. Made from Stainless Steel ZERO* Lead, this range offers enhanced safety and sustainability features.

The range includes different types of tapware, including bubblers, bottle fillers, bib taps, and pillar taps, all of which incorporate a timed flow mechanism to control the water flow and reduce water wastage. In addition to its water-saving benefits, the GPURE® FLOSTOP Timed Flow tapware range is also highly durable and resistant to vandalism. These features make it an ideal choice for use in high-traffic areas such as public washrooms and schools where durability and anti-vandalism features are important.



TIMED FLOW TAPS

Technical Information

- **Material:**
 - Zero Lead Stainless Steel 304: GPT1000W & GPT1500
 - Zero Lead Stainless Steel 316: GPT7000 & GPT7500
- **Cartridge:** Timed Flow (Hydraulic)
- **Cartridge Size:** 15 mm
- **Inlet:**
 - 1/2" Female: GPT1000W
 - 1/2" Male: GPT1500
 - 15mm: GPT7000
 - 15 mm Female Flexible Connections: GPT7500
- **Outlet:**
 - Single Temperature Timed Flow: GPT1000W, GPT1500 & GPT7000
 - Angled Single Temperature Timed Flow: GPT7500
- **Flow Style:**
 - Aerated Flow: GPT1000W & GPT1500
 - Laminar Flow: GPT7000 & GPT7500
- **Run Time:**
 - 5 seconds (+/- 2): GPT1000W & GPT1500
 - 0-20 (+/-5) seconds (Adjustable): GPT7000 & GPT7500
- **Working Pressures:** 150kPa-500kPa (Recommended: 350kPa)
- **Working Temperatures:**
 - 5°C - 45°C: GPT1000W & GPT1500
 - 5°C - 50°C: GPT7000 & GPT7500
- **Finish:** Polished

Product Features

- Stainless Steel Zero Lead
- Soft-close, hydraulically operated time flow
- Designed to be durable and anti-vandal
- Supplied with inlet strainer and flow controller
- Yellow & Blue button indicators supplied
- One service kit used across the GPURE® Timeflow range for easy maintenance: GPT7000 & GPT7500
- Run time is easily changeable post installation: GPT7000 & GPT7500
- Product customisation available: GPT7000 & GPT7500
- Recommended for commercial and public projects

*Product information is subject to disclaimer within this catalogue.

GPURE® FLOSTOP



TIMED FLOW BUBBLERS

Technical Information

- **Material:**
 - Body: Zero Lead Stainless Steel 316
 - Bubbler Guard: UV Stabilised Food Grade Rubber
- **Cartridge:** Timed Flow (Hydraulic)
- **Cartridge Size:** 15 mm
- **Inlet:** 15mm
- **Outlet:**
 - Right Angled Single Temperature Timed Flow: GPT8000
 - Angled Single Temperature Timed Flow: GPT8050
 - Upright Single Temperature Timed Flow: GPT8050UR
- **Flow Style:** Free Flow
- **Run Time:** 0-20 (+/-5) seconds (Adjustable)
- **Working Pressures:** 150kPa-500kPa (Recommended: 350kPa)
- **Working Temperatures:** 5°C - 50°C
- **Finish:** Brushed

Product Features

- Stainless Steel Zero Lead
- Soft-close, hydraulically operated time flow means that it's suitable for all markets
- Designed to be durable and anti-vandal. Suitable for use in public areas
- One service kit used across the GPURE® Timeflow range for easy maintenance
- Supplied with inlet strainer and flow controller
- Flow height adjustable post installation
- Red, Yellow & Blue button indicators supplied
- Run time is easily changeable post installation
- Recommended for commercial and public projects
- Product customisation available



BOTTLE FILLERS

Technical Information

- **Material:** Zero Lead Stainless Steel 316
- **Cartridge:** Timed Flow (Hydraulic)
- **Cartridge Size:** 15 mm
- **Inlet:** 15mm
- **Outlet:**
 - Single Temperature Timed Flow, Gooseneck Spout: GPT8100
 - Upright Single Temperature Timed Flow, Gooseneck Spout: GPT8200
- **Flow Style:** Free Flow
- **Run Time:** 0-20 (+/-5) seconds (Adjustable)
- **Working Pressures:** 150kPa-500kPa (Recommended: 350kPa)
- **Working Temperatures:** 5°C - 50°C
- **Finish :** Brushed

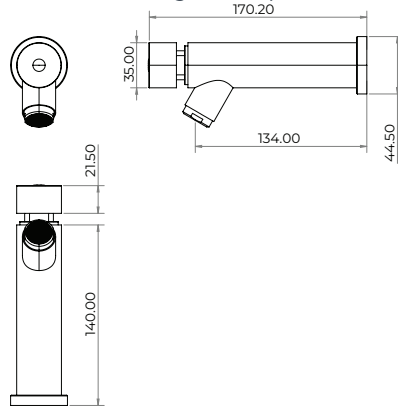
Product Features

- Stainless Steel Zero Lead
- Soft-close, hydraulically operated time flow means that it's suitable for all markets
- Designed to be durable and anti-vandal. Suitable for use in public areas
- One service kit used across the GPURE® Timeflow range for easy maintenance
- Supplied with inlet strainer and flow controller
- Flow adjustable post installation
- Red, Yellow & Blue button indicators supplied
- Run time is easily changeable post installation
- Recommended for commercial and public projects
- Product customisation available

GPT1000W

Bib Tap

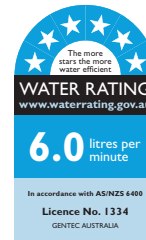
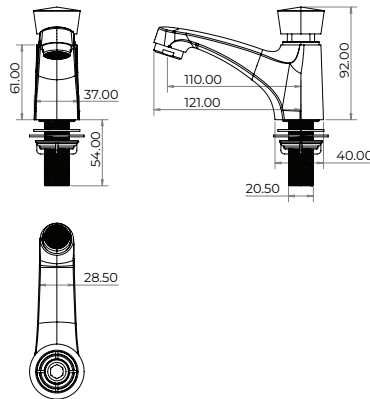
Zero Lead Stainless Steel 304 Wall Mounted Single Temperature Timed Flow Bib Tap



GPT1500

Pillar Tap

Zero Lead Stainless Steel 304 Hob Mounted Single Temperature Timed Flow Pillar Tap

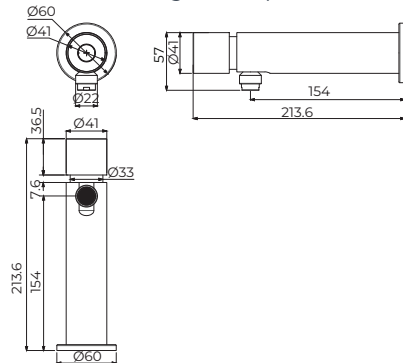


GPT7000

Bib Tap

Zero Lead Stainless Steel 316 Wall Mounted Single Temperature Timed Flow Bib Tap

GPT7000: 6 Star, 4.0 LPM
GPT7000-5: 6 Star, 5 LPM



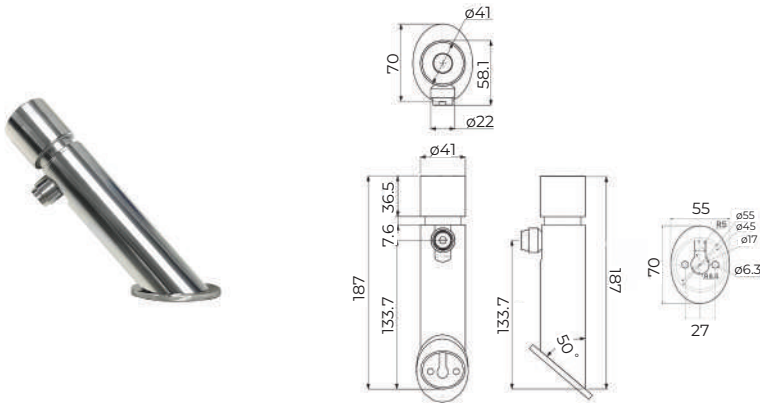
*Product information is subject to disclaimer within this catalogue.

GPURE® FLOSTOP

GPT7500

Pillar Tap

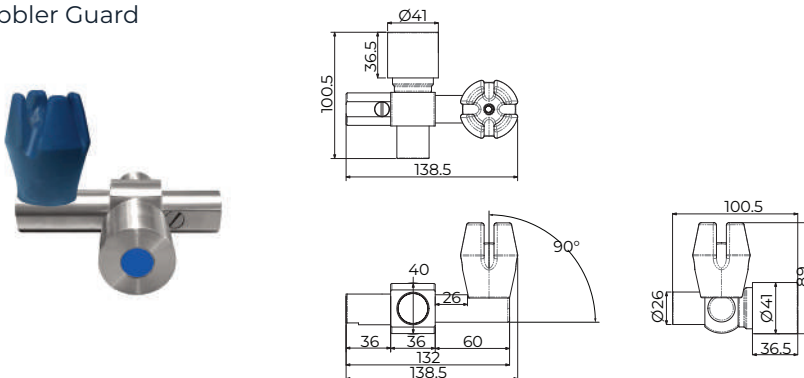
Zero Lead Stainless Steel 316 Hob Mounted Angled Single Temperature Timed Flow Pillar Tap



GPT8000

Bubbler

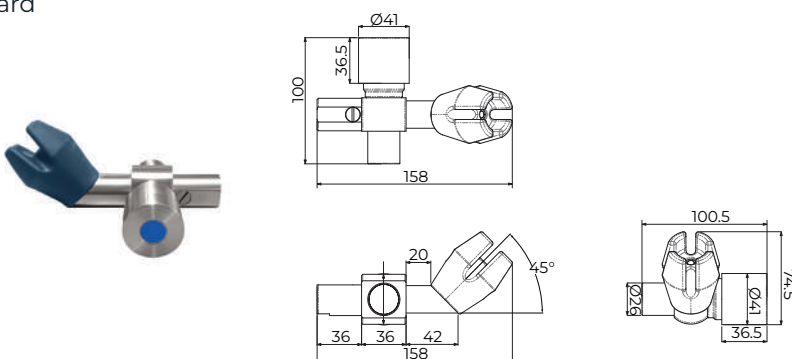
Zero Lead Stainless Steel 316 Wall Mounted Right Angled Single Temperature Timed Flow Bubbler w/ Safety Bubbler Guard



GPT8050

Bubbler

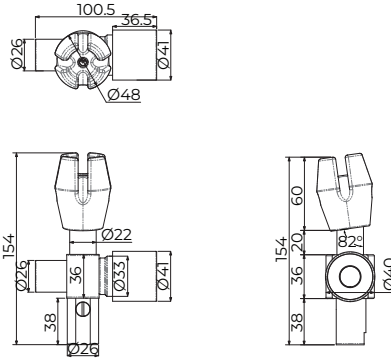
Zero Lead Stainless Steel 316 Wall Mounted Angled Single Temperature Timed Flow Bubbler w/ Safety Bubbler Guard



GPT8050UR

Bubbler

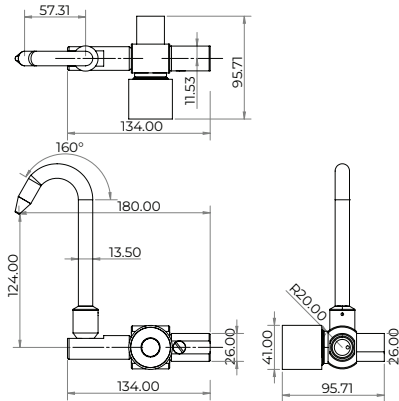
Zero Lead Stainless Steel 316 Hob Mounted Upright Single Temperature Timed Flow Bubbler w/ Safety Bubbler Guard



GPT8100

Bottle Filler

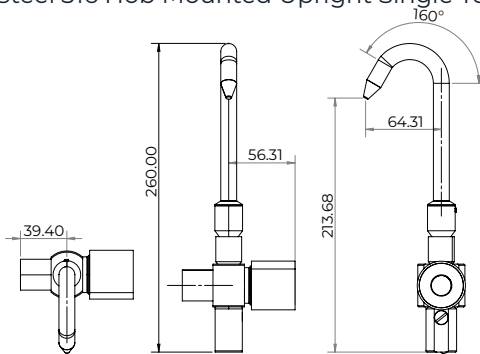
Zero Lead Stainless Steel 316 Wall Mounted Single Temperature Timed Flow, Gooseneck Spout Bottle Filler



GPT8200

Bottle Filler

Zero Lead Stainless Steel 316 Hob Mounted Upright Single Temperature Timed Flow, Gooseneck Spout Bottle Filler



1/2" BSP Female

*Product information is subject to disclaimer within this catalogue.





GPURE® REBEL — SINGLE LEVER MIXERS

GPURE® REBEL Single Lever Mixers are made of high quality Zero Lead Stainless Steel 304, providing enhanced durability and resistance to corrosion. Additionally, these mixers incorporate a laminar flow feature that helps to reduce the risk of aerosolisation at the outlet, which can be a concern in healthcare environments and other areas where hygiene is a priority. This easy-to-use and durable range of Single Lever Mixers is also an ideal choice for any commercial and hospitality projects.



BASIN / SINK MIXERS

Technical Information

- **Material:** Zero Lead Stainless Steel 304
- **Cartridge:** Ceramic Disc
- **Cartridge Size:** 35mm
- **Inlet:** 15 mm Female Flexible Connections
- **Outlet:**
 - Gooseneck Swivel Spout: GPR3000
 - Low Line Swivel Spout: GPR3500 & GPR3500D
- **Flow Style:** Laminar Flow
- **Working Pressures:** 50kPa-500kPa (Recommended: 350kPa)
- **Working Temperatures:** 5°C - 80°C
- **Finish:** Polished

Product Features

- Stainless Steel Zero Lead
- Smooth close operation
- Printed indicators eliminate crevices for bacteria build up
- Zero Lead Stainless Steel can be rejuvenated at any time over the life of the product
- Environmentally friendly, no electroplating processes used throughout the product lifecycle
- Laminar flow to reduce aerosol at the outlet
- Supplied with SS316 PEX inlet hoses
- Flow variants available
- Recommended for commercial, health and hospitality projects



SHOWER MIXERS

Technical Information

- **Material:** Zero Lead Stainless Steel 304
- **Cartridge:** Ceramic Disc
- **Cartridge Size:** 35mm
- **Inlet:** 15mm Female
- **Outlet:** 15mm Female (G 1/2" BSP)
- **Working Pressures:** 50kPa-500kPa (Recommended: 350kPa)
- **Working Temperatures:** 5°C - 80°C
- **Finish:** Polished

Product Features

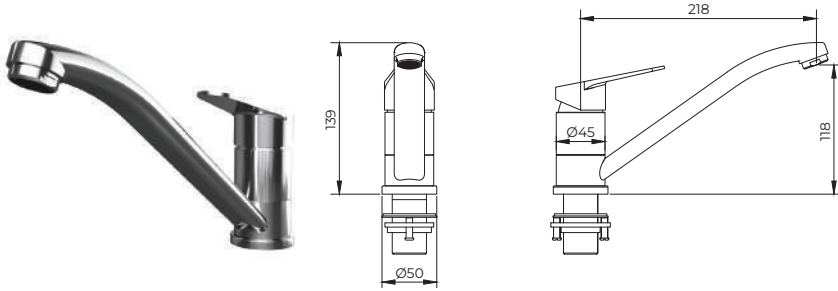
- Stainless Steel Zero Lead
- Smooth close operation
- Printed indicators eliminate crevices for bacteria build up
- Zero Lead Stainless Steel can be rejuvenated at any time over the life of the product
- Environmentally friendly, no electroplating processes used throughout the product lifecycle
- Supplied with SS316 PEX inlet hoses
- Flow variants available
- Recommended for commercial, health and hospitality projects

*Product information is subject to disclaimer within this catalogue.

GPR3500

Sink Mixer

Zero Lead Stainless Steel 304 Hob Mounted Low Line Swivel Spout
Sink Mixer w/ Yellow and Blue Printed Handle



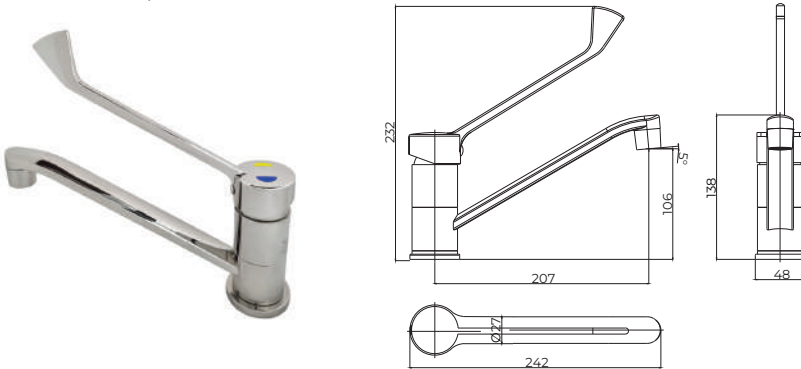
GPR3500: 4 Star, 7.5 LPM
GPR3500-2: 6 Star, 2 LPM
GPR3500-4: 6 Star, 3.5 LPM



GPR3500D

Sink Mixer

Zero Lead Stainless Steel 304 Hob Mounted Low Line Swivel Spout
Sink Mixer w/ Yellow and Blue Printed Care Handle



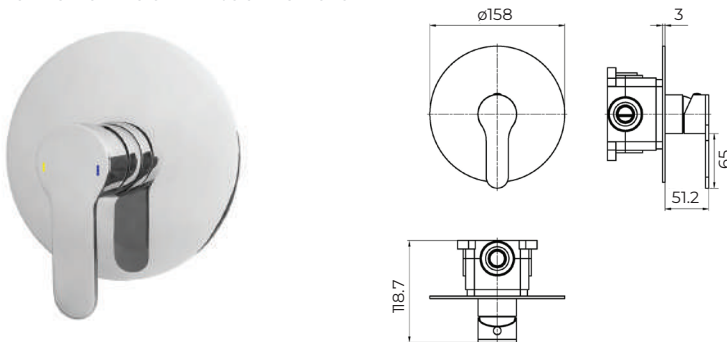
GPR3500D: 4 Star, 7.5 LPM
GPR3500D-2: 6 Star, 2 LPM
GPR3500D-4: 6 Star, 3.5 LPM



GPR4000

Recess Shower Mixer

Zero Lead Stainless Steel 304 Wall Mounted Recess Shower Mixer w/
Yellow and Blue Printed Handle



*Product information is subject to disclaimer within this catalogue.

SS316

Stainless Steel
ZERO* Lead



Low Maintenance



Interchangeable
Handles



Durable & Corrosion
Resistance



GPURE® CLEANLINE — STAINLESS STEEL TAPWARE

Designed to meet the demands of healthcare, aged care, and commercial environments, GENTEC's GPURE® CLEANLINE range delivers exceptional performance where it matters most.

Manufactured from Stainless Steel ZERO* Lead and crafted with infection prevention in mind, the GPURE® CLEANLINE range offers a reliable, hygienic, and low-maintenance tapware solution — ideal for hospitals, aged care facilities, and any setting where cleanliness is critical.

With versatile configurations including basin and sink sets, exposed and recessed mixers, control valves, cistern and washing machine taps, as well as spouts recommended for all commercial applications, GPURE® CLEANLINE combines safety, durability, and smart functionality.



BASIN & SINK SETS

Technical Information

- **Material:**
 - Main Body and Internal System: Zero Lead Stainless Steel 316
 - Cartridge: Zero Lead Stainless Steel 304
- **Cartridge:** Ceramic Disc (Quarter Turn)
- **Cartridge Size:** 5/8"
- **Inlet:** 15mm
- **Outlet :**
 - Curved Fixed Spout: GPCAP0001, GPCL10001 & GPCL15001
 - Curved Swivel Spout: GPCAP0005, GPCL10005 & GPCL15005
- **Flow Style:** Laminar Flow
- **Working Pressures:** 50kPa-500kPa (Recommended: 350kPa)
- **Working Temperatures:** 5°C - 80°C
- **Finish:** Polished

Product Features

- Stainless Steel Zero Lead
- No crevices to eliminate bacterial build-up
- Handles with Red, Yellow & Blue lock bushes supplied
- Soft seal, easy action ceramic disc cartridge
- Interchangeable Handles (25mm handle, 100mm lever and 150mm lever)
- Three cartridges used in all Cleanline products for easier maintenance
- Flow Variants Available
- Recommended for use in health and aged care projects



EXPOSED MIXING SETS

Technical Information

- **Material:**
 - Main Body and Internal System: Zero Lead Stainless Steel 316
 - Cartridge: Zero Lead Stainless Steel 304
- **Cartridge:** Ceramic Disc (Quarter Turn)
- **Cartridge Size:** 5/8"
- **Inlet:**
 - 15mm: GPCAP0010, GPCAP0012, GPCL10010, GPCL10012, GPCL10015, GPCL15010 & GPCL15012
 - 15mm Male: GPCL15015 & GPCAP0015
- **Outlet:**
 - Curved Swivel Spout: GPCAP0010, GPCAP0015, GPCL10010, GPCL10015, GPCL15010 & GPCL15015
 - Fixed Parallel Spout: GPCAP0012, GPCL10012 & GPCL15012
- **Flow Style:** Laminar Flow
- **Working Pressures:** 50kPa-500kPa (Recommended: 350kPa)
- **Working Temperatures:** 5°C - 80°C
- **Finish:** Polished

Product Features

- Stainless Steel Zero Lead
- No crevices to eliminate bacterial build-up
- Handles with Red, Yellow & Blue lock bushes supplied
- Soft seal, easy action ceramic disc cartridge
- Full Stainless Steel cartridge
- Interchangeable Handles (25mm handle, 100mm lever and 150mm lever)
- Three cartridges used in all Cleanline products for easier maintenance
- Flow Variants Available
- Recommended for use in health and aged care projects

*Product information is subject to disclaimer within this catalogue.

GPURE® CLEANLINE



RECESS MIXING SETS

Technical Information

- **Material:**
 - Main Body and Internal System: Zero Lead Stainless Steel 316
 - Cartridge: Zero Lead Stainless Steel 304
- **Cartridge:** Ceramic Disc (Quarter Turn)
- **Cartridge Size:** 5/8"
- **Inlet:** 15mm
- **Outlet:**
 - Gooseneck Swivel Spout: GPCAP0035, GPCL10035 & GPCL15035
 - Fixed Parallel Spout: GPCAP0040, GPCL10040 & GPCL15040
- **Flow Style:** Laminar Flow
- **Working Pressures:** 50kPa-500kPa (Recommended: 350kPa)
- **Working Temperatures:** 5°C - 80°C
- **Finish:** Polished

Product Features

- Stainless Steel Zero Lead
- No crevices to eliminate bacterial build-up
- Handles with Red, Yellow & Blue lock bushes supplied
- Soft seal, easy action ceramic disc cartridge
- Interchangeable Handles (25mm handle, 100mm lever and 150mm Lever)
- Three cartridges used in all Cleanline products for easier maintenance
- Recommended for use in health and aged care projects



CONTROL VALVES

Technical Information

- **Material:**
 - Main Body and Internal System: Zero Lead Stainless Steel 316
 - Cartridge: Zero Lead Stainless Steel 304
- **Cartridge:** Ceramic Disc (Quarter Turn)
- **Cartridge Size:** 5/8"
- **Inlet:** 15mm
- **Flow Style:** Laminar Flow
- **Working Pressures:** 50kPa-500kPa (Recommended: 350kPa)
- **Working Temperatures:** 5°C - 80°C
- **Finish:** Polished

Product Features

- Stainless Steel Zero Lead
- No crevices to eliminate bacterial build-up
- Handles with Red, Yellow & Blue lock bushes supplied
- Soft seal, easy action ceramic disc cartridge
- Interchangeable Handles ((25mm handle, 100mm lever and 150mm Lever)
- Three cartridges used in all Cleanline products for easier maintenance
- Recommended for use in health and aged care projects



WASHING MACHINE & CISTERN TAPS

Technical Information

- **Material:**
 - Main Body and Internal System: Zero Lead Stainless Steel 316
 - Cartridge: Zero Lead Stainless Steel 304
- **Cartridge:** Ceramic Disc (Quarter Turn)
- **Cartridge Size:** 5/8"
- **Inlet:** 15mm
- **Outlet:**
 - 20mm Male Outlet: GPCL10045C, GPCL10045H, GPCL15045C & GPCL15045H
- **Flow Style:** Free Flow
- **Working Pressures:** 50kPa-500kPa (Recommended: 350kPa)
- **Working Temperatures:** 5°C - 80°C
- **Finish:** Polished

Product Features

- Stainless Steel Zero Lead
- No crevices to eliminate bacterial build-up
- Handles with Red, Yellow & Blue lock bushes supplied: GPCAP0045(H, C), GPCAP0050(H, C), GPCL10045(H, C), GPCL10050(H, C) & GPCL15050(H, C)
- Handles with Yellow & Blue button indicators supplied: GPCL15045(H, C)
- Soft seal, easy action ceramic disc cartridge
- Interchangeable Handles (25mm handle, 100mm lever and 150mm lever)
- Allen key fixings for secure handles and outlets: GPCL15045(H, C)
- Three cartridges used in all Cleanline products for easier maintenance
- Recommended for use in health and aged care projects



SPOUTS

Technical Information

- **Material:**
 - Main Body and Internal System: Zero Lead Stainless Steel 316
 - Cartridge: Zero Lead Stainless Steel 304
- **Cartridge:** Ceramic Disc (Quarter Turn)
- **Cartridge Size:** 15mm
- **Inlet:** 15mm
- **Flow Style:** Laminar Flow
- **Working Pressures:** 50kPa-500kPa (Recommended: 350kPa)
- **Working Temperatures:** 5°C - 80°C
- **Finish:** Polished

Product Features

- Stainless Steel Zero Lead
- Laminar Flow Available
- Durable Design
- Adaptable to all Gentec tapware
- Recommended for any commercial projects

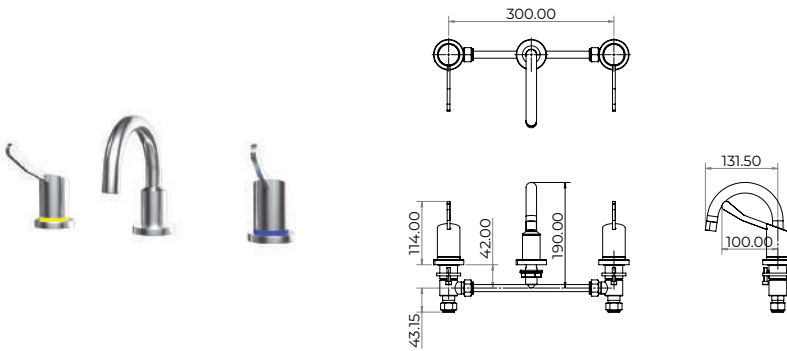
*Product information is subject to disclaimer within this catalogue.

GPURE® CLEANLINE

GPCL10001

Basin Set

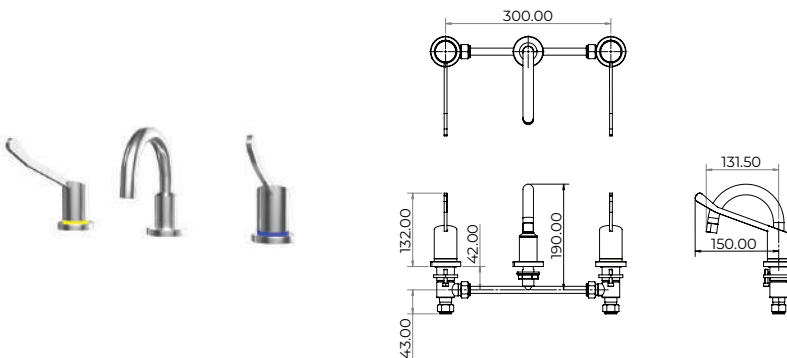
Zero Lead Stainless Steel 316 Hob Mounted 100mm Lever Basin Set w/ Curved Fixed Spout



GPCL15001

Basin Set

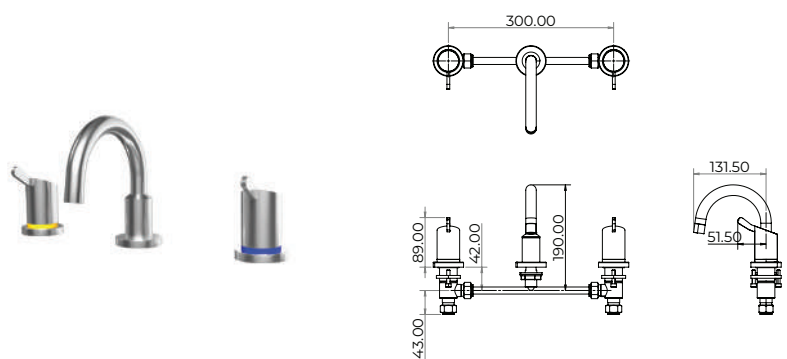
Zero Lead Stainless Steel 316 Hob Mounted 150mm Lever Basin Set w/ Curved Fixed Spout



GPCAP0001

Basin Set

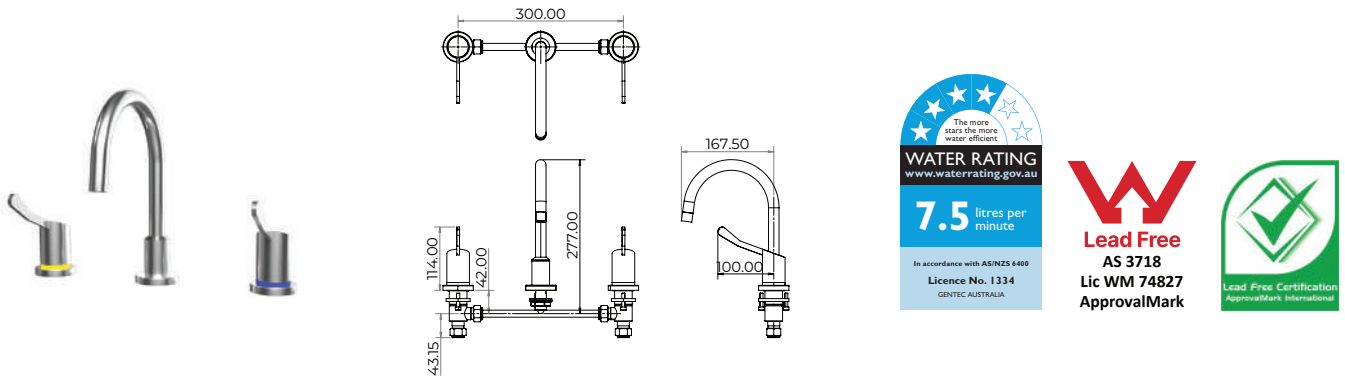
Zero Lead Stainless Steel 316 Hob Mounted 25mm Handle Basin Set w/ Curved Fixed Spout



GPCL10005

Sink Set

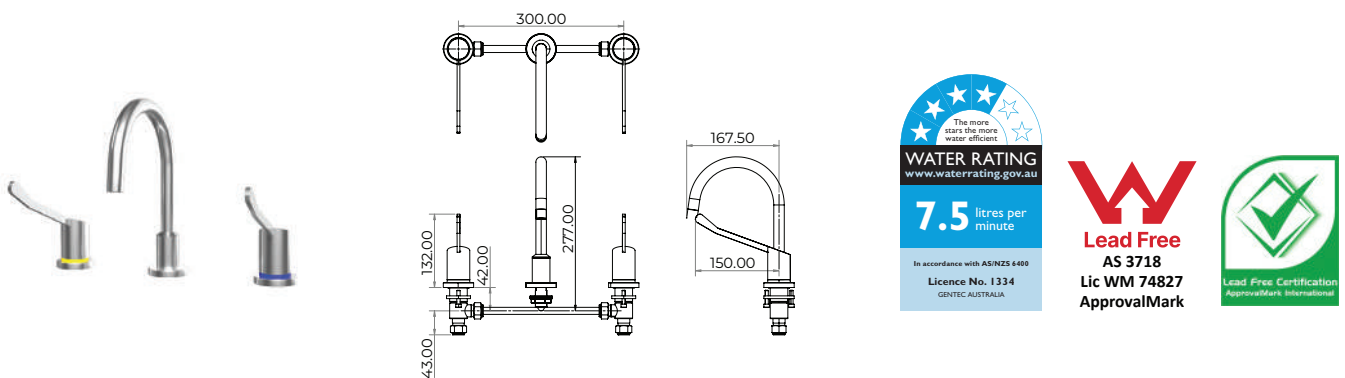
Zero Lead Stainless Steel 316 Hob Mounted 100mm Lever Sink Set w/ Curved Swivel Spout



GPCL15005

Sink Set

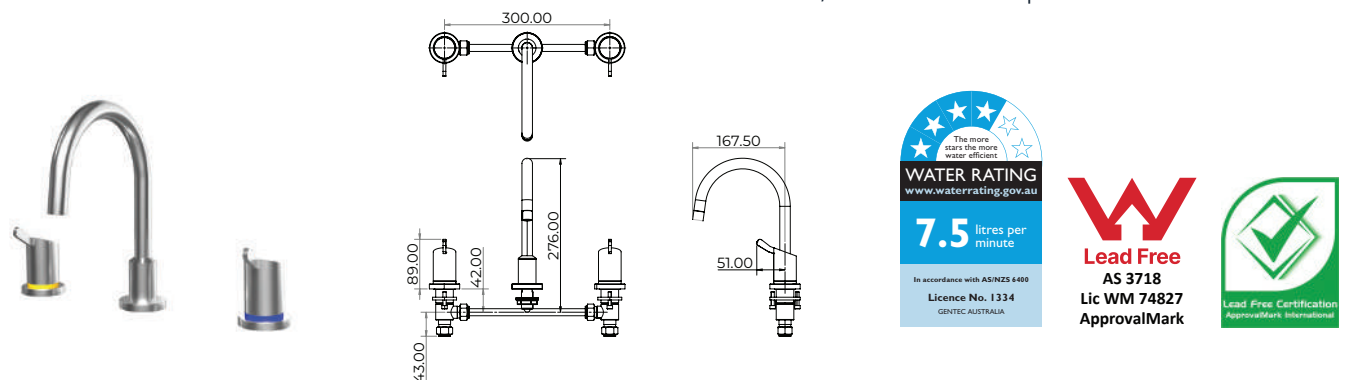
Zero Lead Stainless Steel 316 Hob Mounted 150mm Lever Sink Set w/ Curved Swivel Spout



GPCAP0005

Sink Set

Zero Lead Stainless Steel 316 Hob Mounted 25mm Handle Sink Set w/ Curved Swivel Spout



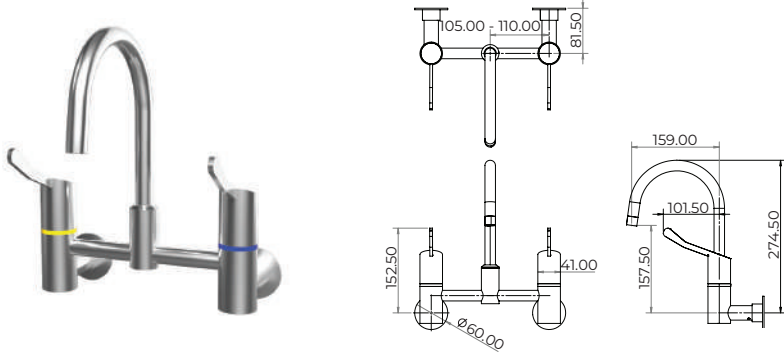
*Product information is subject to disclaimer within this catalogue.

GPURE® CLEANLINE

GPCL10010

Exposed Mixing Set

Zero Lead Stainless Steel 316 Wall Mounted 100mm Lever Exposed Mixing Set w/ Curved Swivel Spout

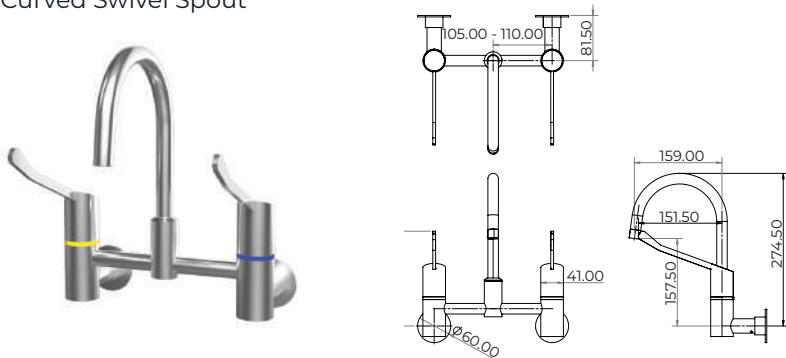


GPCL15010

Exposed Mixing Set

Zero Lead Stainless Steel 316 Wall Mounted 150mm Lever Exposed Mixing Set w/ Curved Swivel Spout

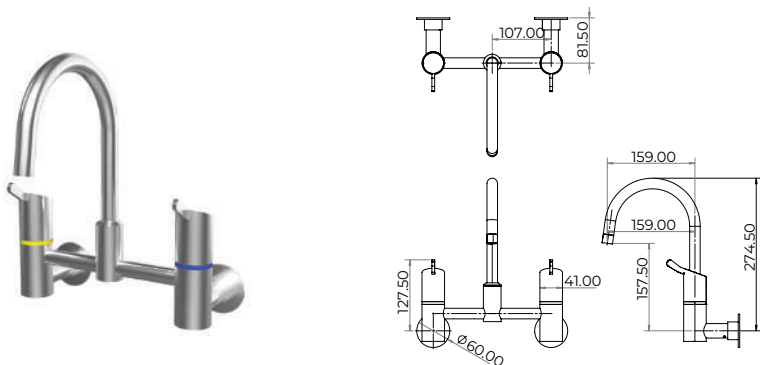
GPCL15010: 4 Star, 7.5 LPM
GPCL15010-4: 6 Star, 4.5 LPM



GPCAP0010

Exposed Mixing Set

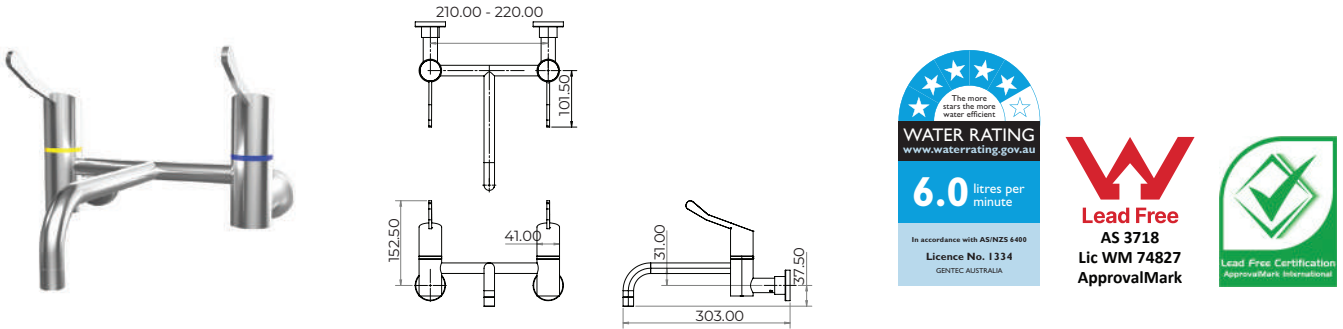
Zero Lead Stainless Steel 316 Wall Mounted 25mm Handle Exposed Mixing Set w/ Curved Swivel Spout



GPCL10012

Exposed Mixing Set

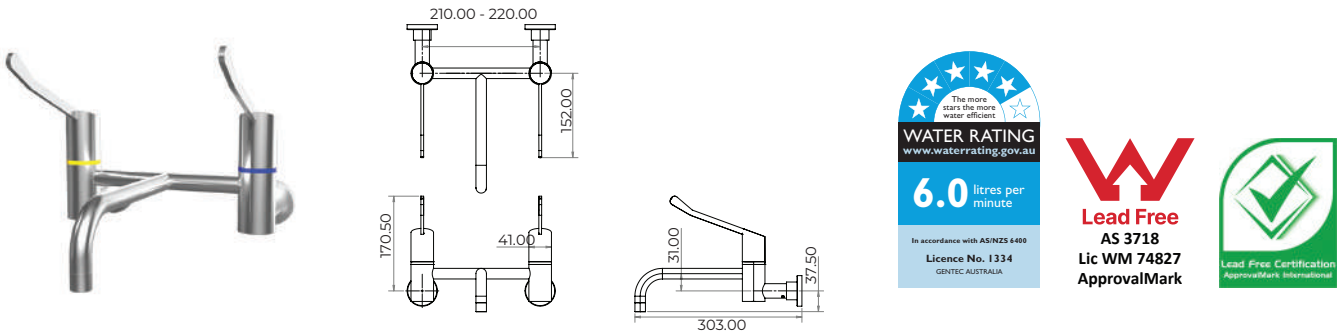
Zero Lead Stainless Steel 316 Wall Mounted 100mm Lever Exposed Mixing Set w/ Fixed Parallel Spout



GPCL15012

Exposed Mixing Set

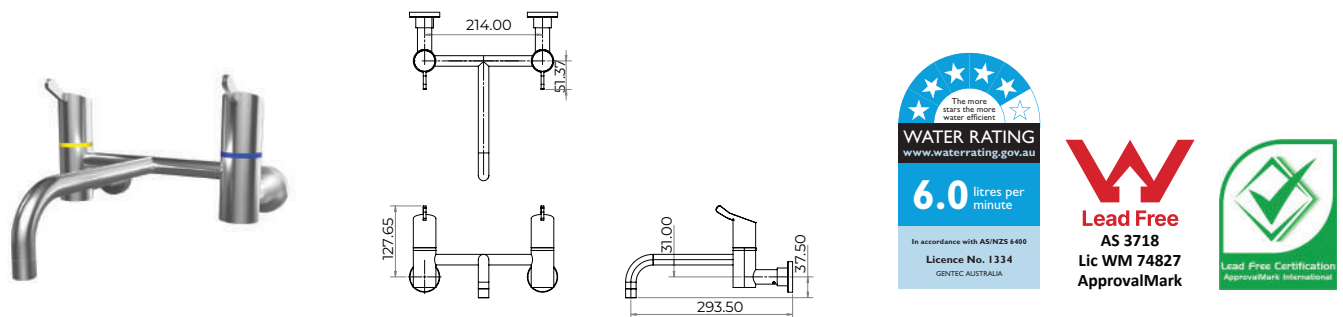
Zero Lead Stainless Steel 316 Wall Mounted 150mm Lever Exposed Mixing Set w/ Fixed Parallel Spout



GPCAP0012

Exposed Mixing Set

Zero Lead Stainless Steel 316 Wall Mounted 25mm Handle Exposed Mixing Set w/ Fixed Parallel Spout



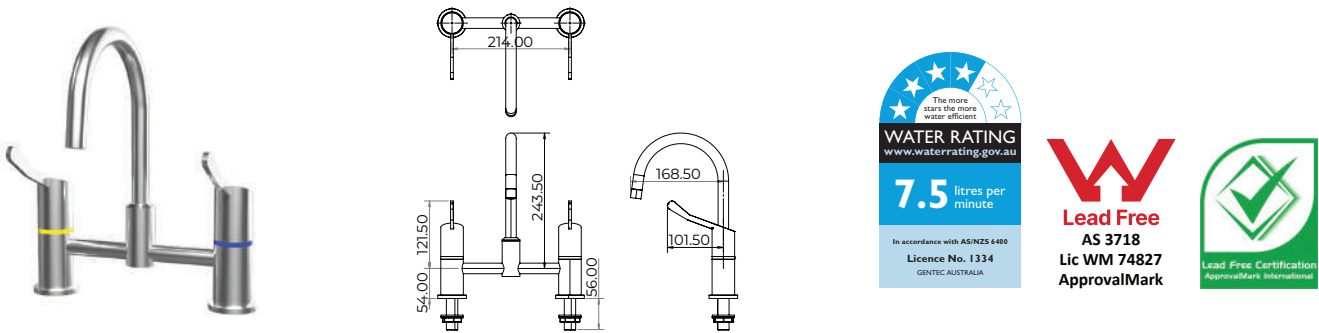
*Product information is subject to disclaimer within this catalogue.

GPURE® CLEANLINE

GPCL10015

Exposed Mixing Set

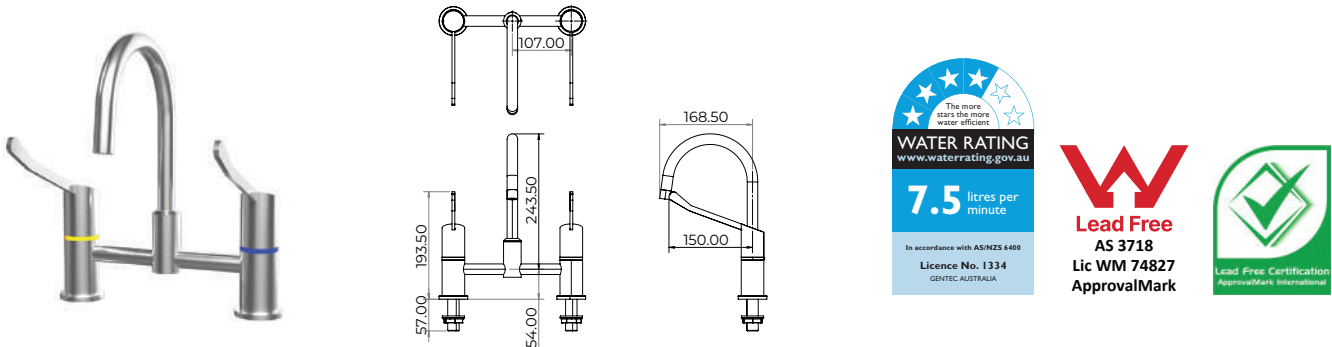
Zero Lead Stainless Steel 316 Hob Mounted 100mm Lever Exposed Mixing Set w/ Curved Swivel Spout



GPCL15015

Exposed Mixing Set

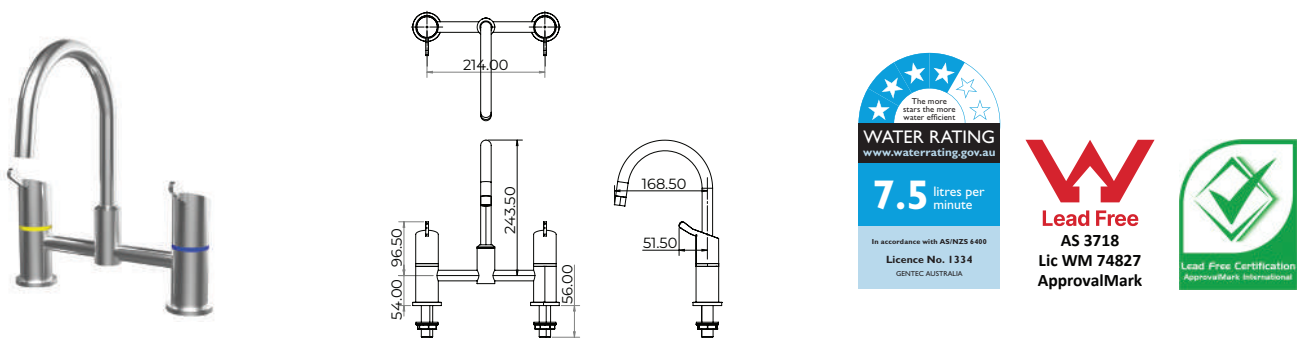
Zero Lead Stainless Steel 316 Hob Mounted 150mm Lever Exposed Mixing Set w/ Curved Swivel Spout



GPCAP0015

Exposed Mixing Set

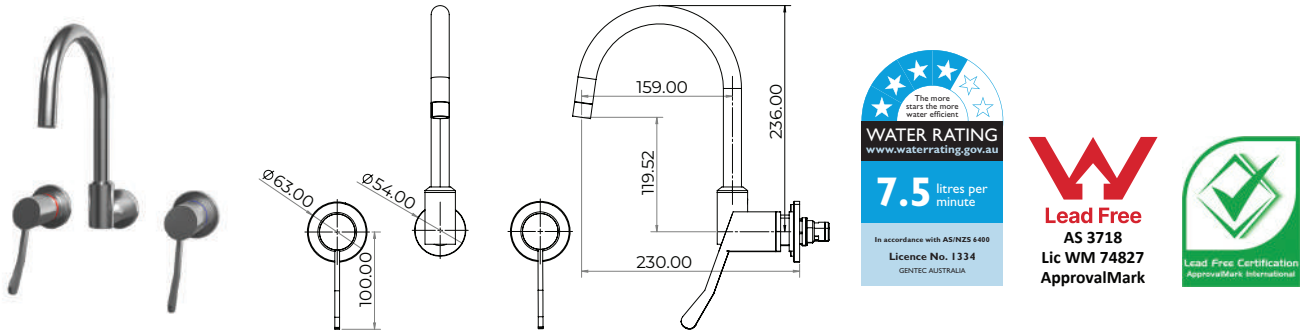
Zero Lead Stainless Steel 316 Hob Mounted 25mm Handle Exposed Mixing Set w/ Curved Swivel Spout



GPCL10035

Recess Mixing Set

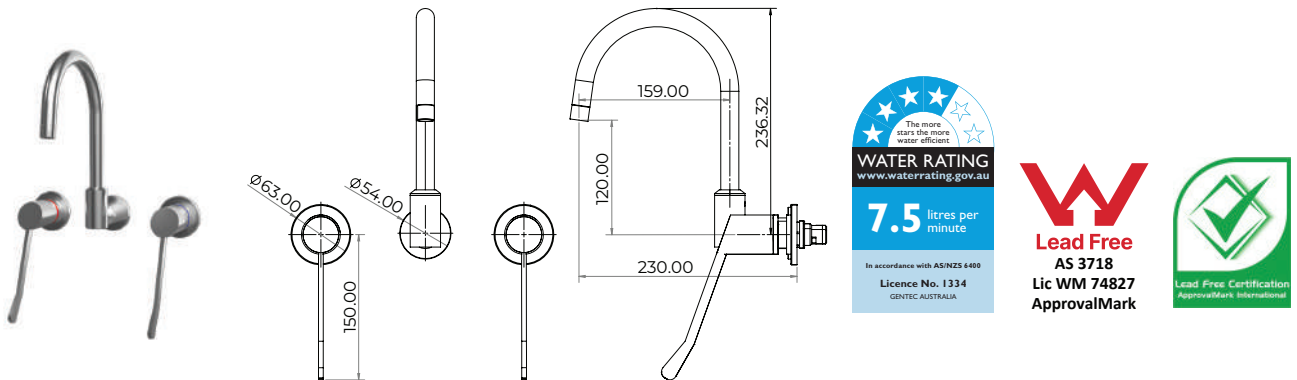
Zero Lead Stainless Steel 316 Wall Mounted 100mm Lever Recess Mixing Set w/ Gooseneck Swivel Spout



GPCL15035

Recess Mixing Set

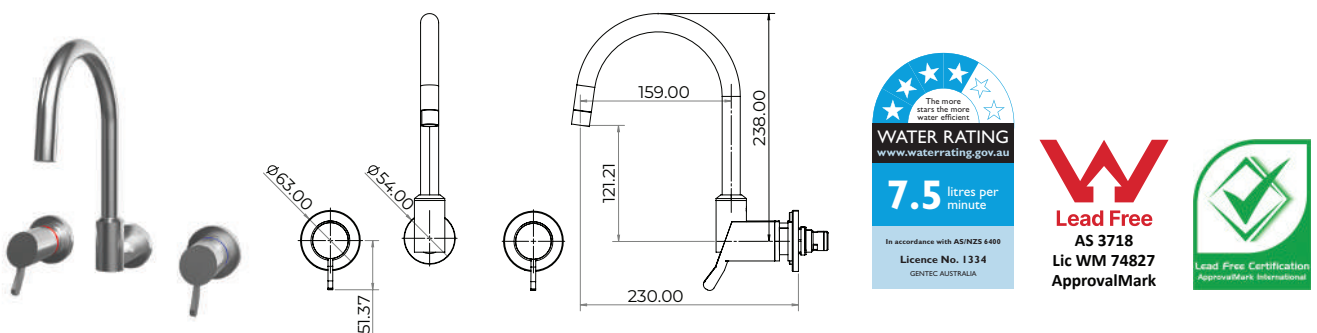
Zero Lead Stainless Steel 316 Wall Mounted 150mm Lever Recess Mixing Set w/ Gooseneck Swivel Spout



GPCAP0035

Recess Mixing Set

Zero Lead Stainless Steel 316 Wall Mounted 25mm Handle Recess Mixing Set w/ Gooseneck Swivel Spout



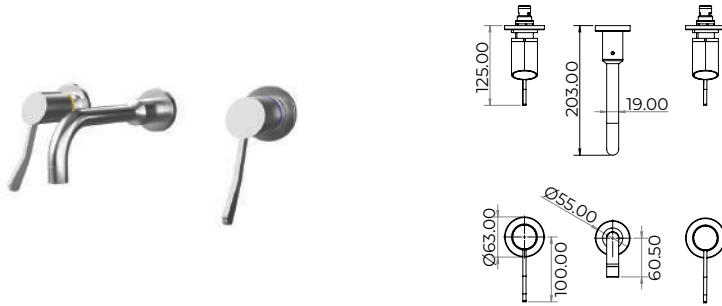
*Product information is subject to disclaimer within this catalogue.

GPURE[®] CLEANLINE

GPCL10040

Recess Mixing Set

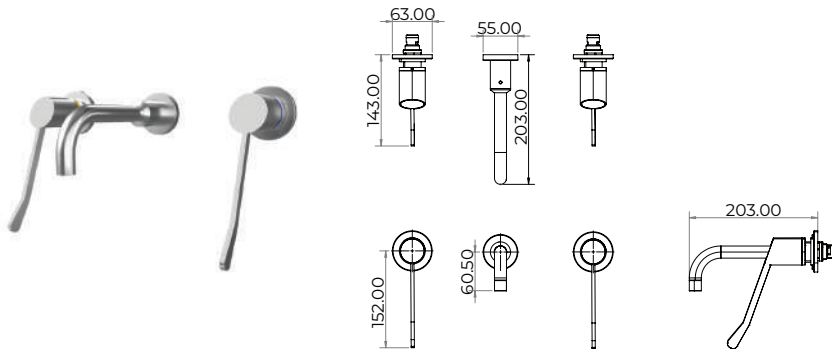
Zero Lead Stainless Steel 316 In-Wall 100mm Lever Recess Mixing Set w/ Fixed Parallel Spout



GPCL15040

Recess Mixing Set

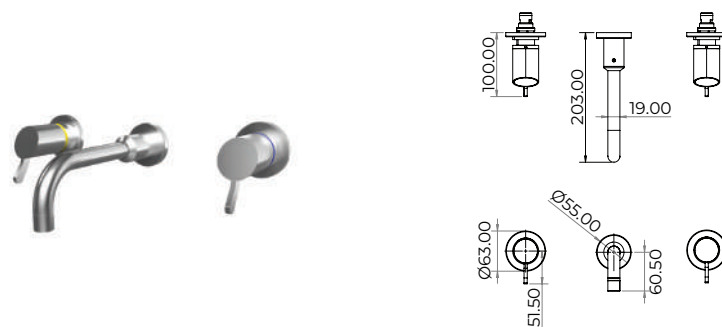
Zero Lead Stainless Steel 316 In-Wall 150mm Lever Recess Mixing Set w/ Fixed Parallel Spout



GPCAP0040

Recess Mixing Set

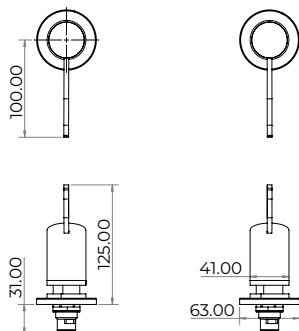
Zero Lead Stainless Steel 316 In-Wall 25mm Handle Recess Mixing Set w/ Fixed Parallel Spout



GPCL10025 (H, C)

Control Valves

Zero Lead Stainless Steel 316 Wall Mounted 100mm Lever Control Valve



Individually Purchased

GPCL10025H: Warm

GPCL10025C: Cold

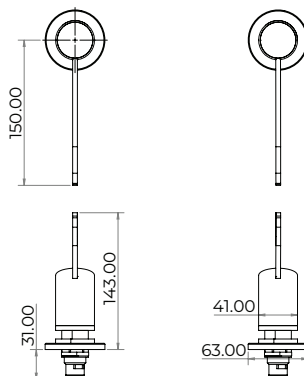
Hot indicator is available on request.



GPCL15025 (H, C)

Control Valves

Zero Lead Stainless Steel 316 Wall Mounted 150mm Lever Control Valve



Individually Purchased

GPCL15025H: Warm

GPCL15025C: Cold

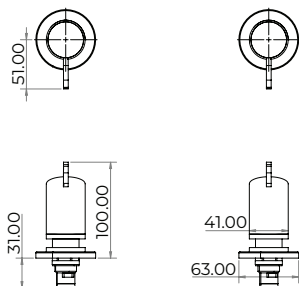
Hot indicator is available on request.



GPCAP0025 (H, C)

Control Valves

Zero Lead Stainless Steel 316 Wall Mounted 25mm Handle Control Valve



Individually Purchased

GPCAP0025H: Warm

GPCAP0025C: Cold

Hot indicator is available on request.



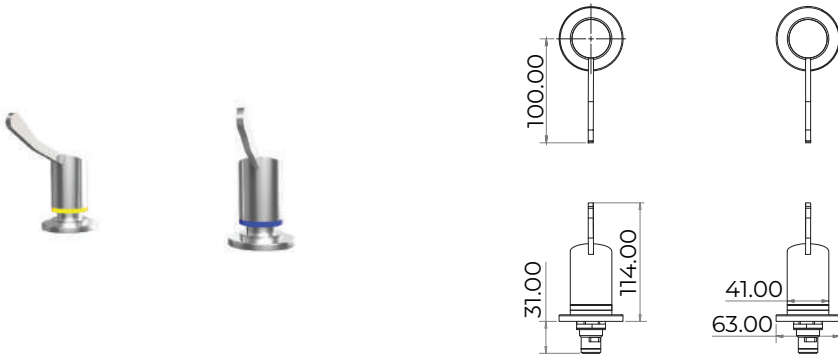
*Product information is subject to disclaimer within this catalogue.

GPURE[®] CLEANLINE

GPCL10030 (H, C)

Control Valves

Zero Lead Stainless Steel 316 Hob Mounted 100mm Lever Control Valve



Individually Purchased

GPCL10030H: Warm

GPCL10030C: Cold

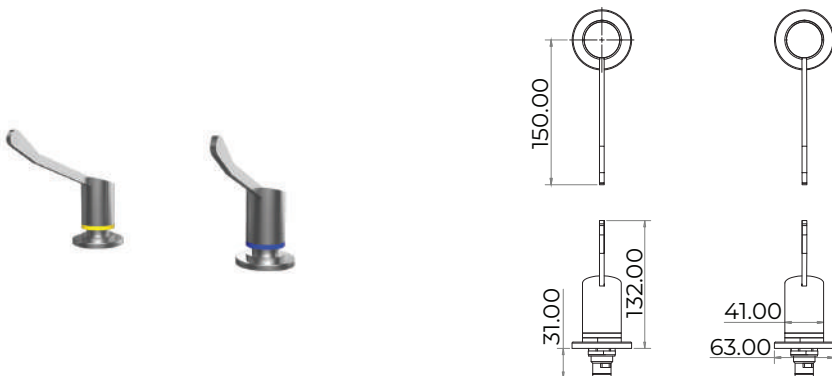
Hot indicator is available on request.



GPCL15030 (H, C)

Control Valves

Zero Lead Stainless Steel 316 Hob Mounted 150mm Lever Control Valve



Individually Purchased

GPCL15030H: Warm

GPCL15030C: Cold

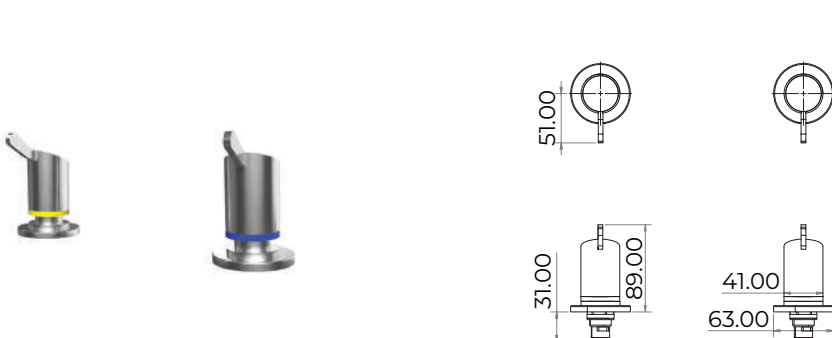
Hot indicator is available on request.



GPCAP0030 (H, C)

Control Valves

Zero Lead Stainless Steel 316 Hob Mounted 25mm Handle Control Valve



Individually Purchased

GPCAP0030H: Warm

GPCAP0030C: Cold

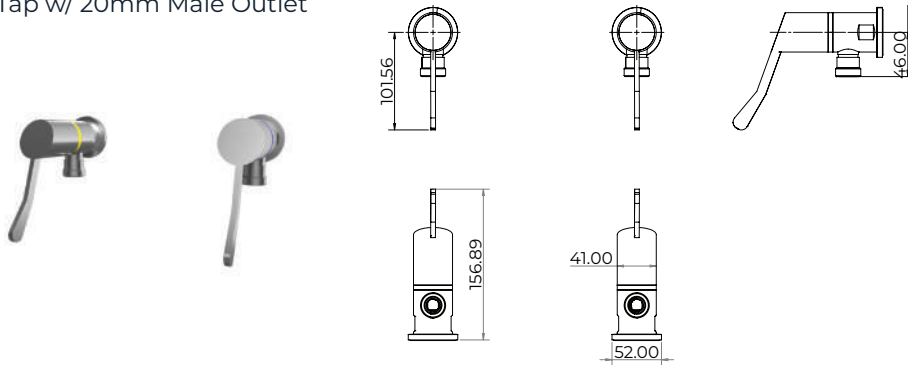
Hot indicator is available on request.



GPCL10045 (H, C)

Washing Machine / Hose Tap

Zero Lead Stainless Steel 316 Wall Mounted 100mm Lever Washing Machine Tap w/ 20mm Male Outlet



Individually Purchased

GPCL10045H: Warm

GPCL10045C: Cold

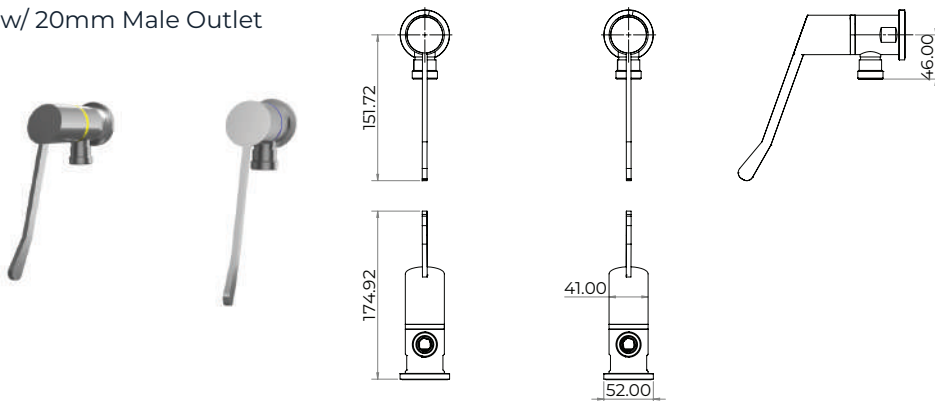
Hot indicator is available on request.



GPCL15045 (H, C)

Washing Machine / Hose Tap

Zero Lead Stainless Steel 316 Wall Mounted 150mm Lever Washing Machine Tap w/ 20mm Male Outlet



Individually Purchased

GPCL15045H: Warm

GPCL15045C: Cold

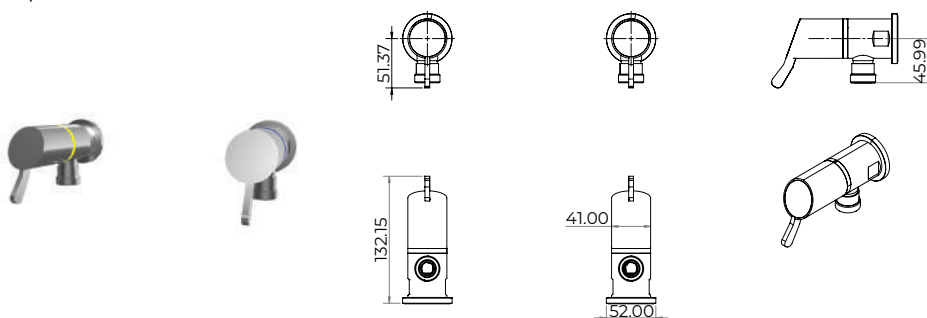
Hot indicator is available on request.



GPCAP0045 (H, C)

Washing Machine / Hose Tap

Zero Lead Stainless Steel 316 Wall Mounted 25mm Handle Washing Machine Tap



Individually Purchased

GPCAP0045H: Warm

GPCAP0045C: Cold

Hot indicator is available on request.



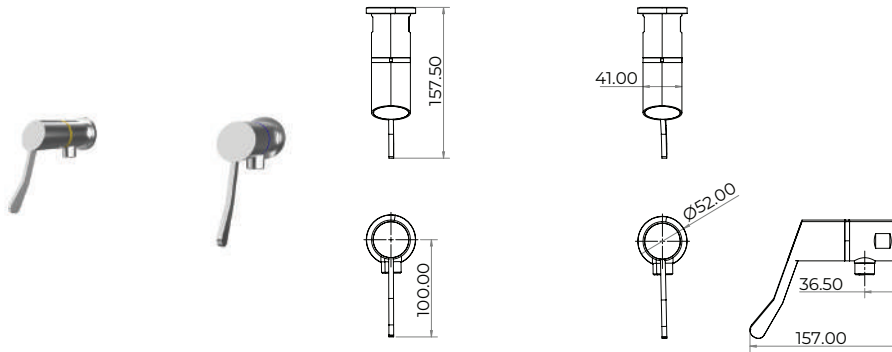
*Product information is subject to disclaimer within this catalogue.

GPURE[®] CLEANLINE

GPCL10050 (H, C)

Cistern Tap

Zero Lead Stainless Steel 316 Wall Mounted 100mm Lever Cistern Tap



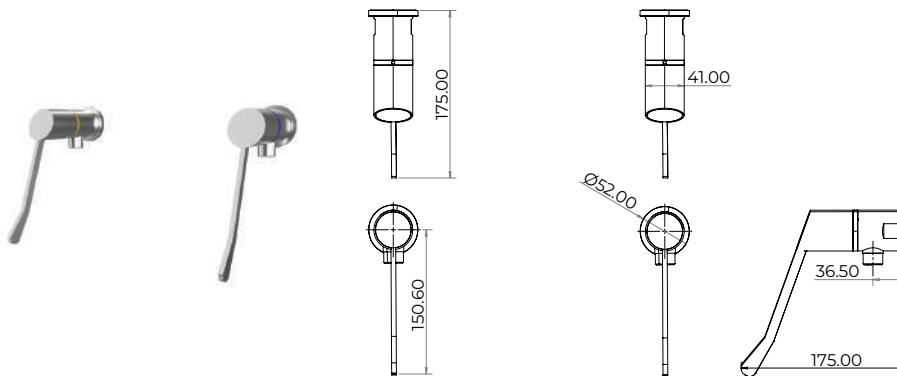
Individually Purchased
 GPCL10050H: Warm
 GPCL10050C: Cold
 Hot indicator is available on request.



GPCL15050 (H, C)

Cistern Tap

Zero Lead Stainless Steel 316 Wall Mounted 150mm Lever Cistern Tap



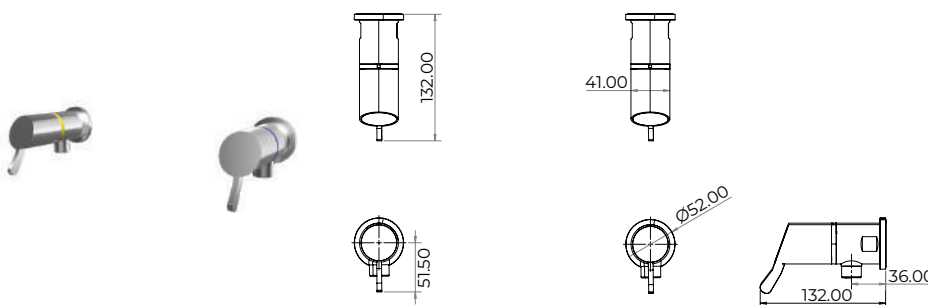
Individually Purchased
 GPCL15050H: Warm
 GPCL15050C: Cold
 Hot indicator is available on request.



GPCAP0050 (H, C)

Cistern Tap

Zero Lead Stainless Steel 316 Wall Mounted 25mm Handle Cistern Tap



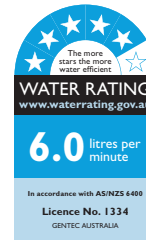
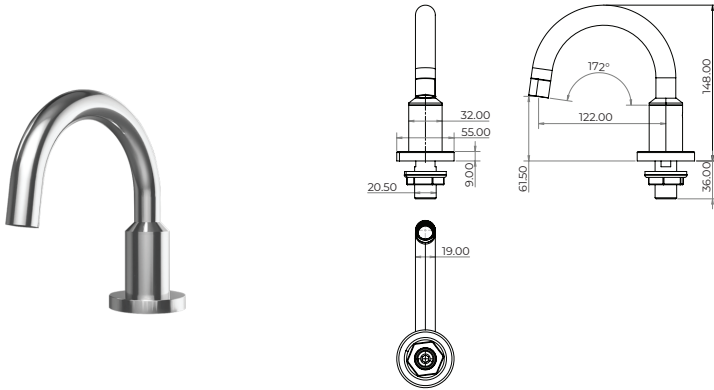
Individually Purchased
 GPCAP0050H: Warm
 GPCAP0050C: Cold
 Hot indicator is available on request.



GPS1000

Spout

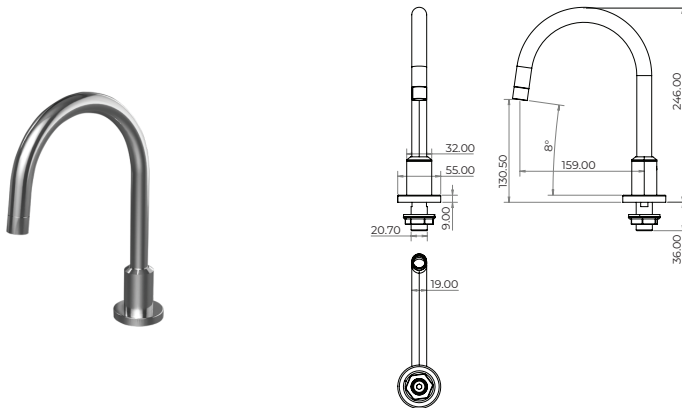
Zero Lead Stainless Steel 316 Hob Mounted Fixed Basin Spout



GPS1500

Spout

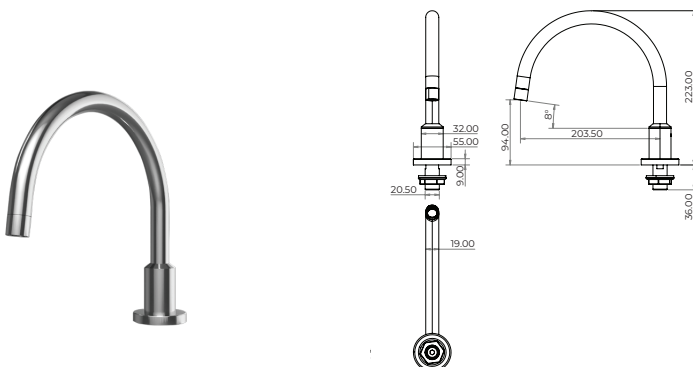
Zero Lead Stainless Steel 316 Hob Mounted Swivel Gooseneck Sink Spout



GPS2000

Spout

Zero Lead Stainless Steel 316 Hob Mounted Swivel Gooseneck Sink Spout



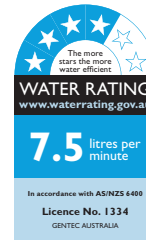
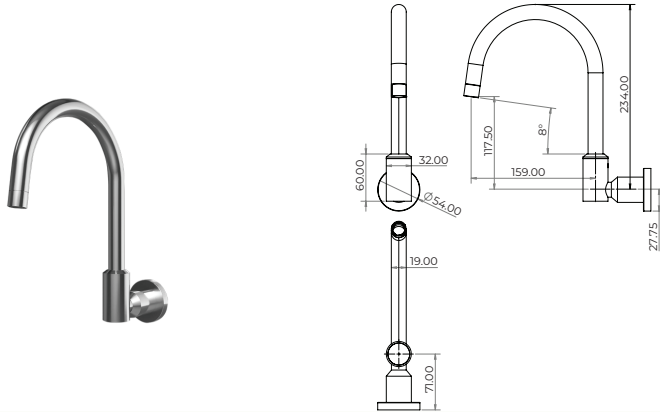
*Product information is subject to disclaimer within this catalogue.

GPURE® CLEANLINE

GPS2500W

Spout

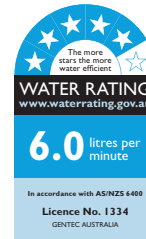
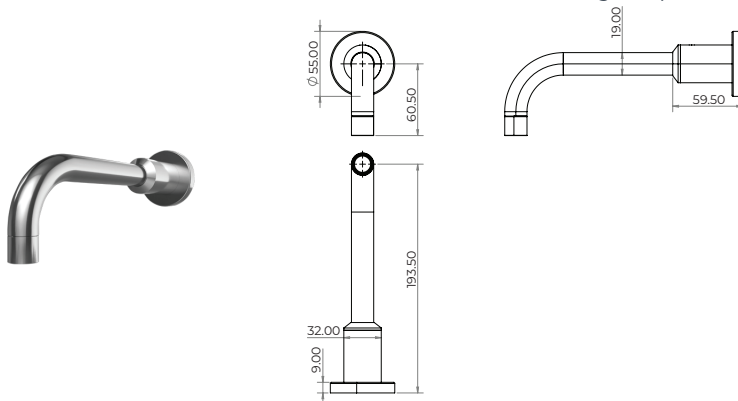
Zero Lead Stainless Steel 316 Wall Mounted Swivel Gooseneck Sink Spout



GPS3000

Spout

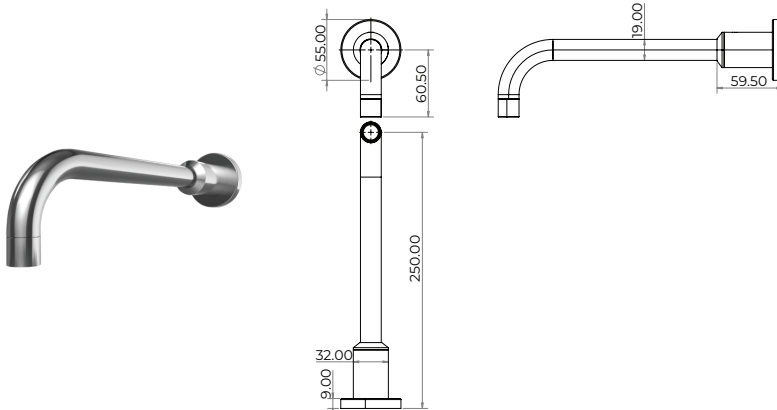
Zero Lead Stainless Steel 316 Wall Mounted Fixed Straight Spout



GPS4000

Spout

Zero Lead Stainless Steel 316 Wall Mounted Fixed Straight Spout



SS304

Stainless Steel
ZERO* LeadDurable & Corrosion
Resistance

Water-saving



Low Maintenance

GPURE® JETFLO — STAINLESS STEEL PRE-RINSE UNITS

Tough performance. Clean results.

Meet the GPURE® JETFLO range – Stainless Steel spray tapware purpose-built for today's commercial kitchens. Designed to deliver unmatched performance, flexibility, and hygiene, GPURE® JETFLO features a precision-engineered blade spray, fingerprint-resistant brushed finish, and easy-clean hose system for efficient, everyday use.

Its Stainless Steel 304 PEX-lined inlet hoses ensure long-term durability, while an integrated double-check valve safeguards water quality. Whether rinsing, cleaning, or prepping, GPURE® JETFLO gives users the confidence and control they need – day in, day out.

*Product information is subject to disclaimer within this catalogue.

GPURE® JETFLO



PRE-RINSE UNIT

Technical Information

- **Material:** Zero Lead Stainless Steel 304
- **Cartridge:** Ceramic Disc / Self Closing
- **Cartridge Size:**
 - 35mm: GPJ1200 & GPJ1200C
 - 15mm: GPJ1500, GPJ3000, GPJ3000W, GPJ4000, GPJ5000, GPJ5600, GPJ6000 & GPJ9900
- **Inlet:**
 - 15mm Female: GPJ1200, GPJ1200C, GPJ1500, GPJ5600, GPJ5000 & GPJ6000
 - 15mm: GPJ3000, GPJ3000W & GPJ4000
 - 15mm Male: GPJ9900
- **Flow Style:** Blade Spray / Laminar Flow
- **Working Pressures:** 150kPa-500kPa (Recommended: 350kPa)
- **Working Temperatures:** 5°C - 80°C
- **Finish:** Brushed

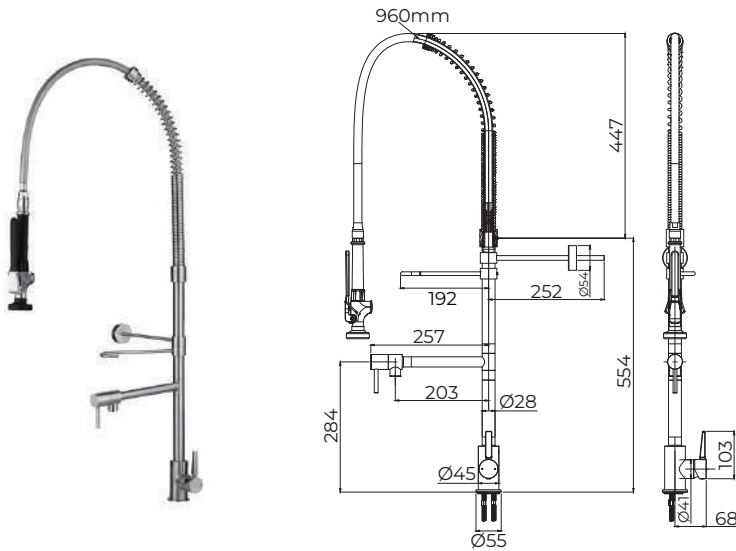
Product Features

- Stainless Steel Zero Lead
- Soft Close Operation on Trigger Spray
- One cartridge used across the GPURE® JETFLO range for easy maintenance
- The soft, easy-to-clean hose provides flexibility and ease-of-use
- Soft spring for easy operation
- Adjustable wall bracket (up to 250mm)
- Soft spring for easy operation
- Double Check Valve
- (SS304) PEX inlet hoses
- Durable Zero Lead Stainless Steel blade spray for convenient cleaning
- Aerator nozzle outlet available for trigger spray
- Recommended for commercial kitchens: GPJ1200, GPJ1200C, GPJ1500 & GPJ6000
- Recommended for Commercial Kitchens & Healthcare CSSD Areas: GPJ3000, GPJ3000W, GPJ4000, GPJ5000, GPJ5600 & GPJ9900

GPJ1200

Pre-Rinse Unit

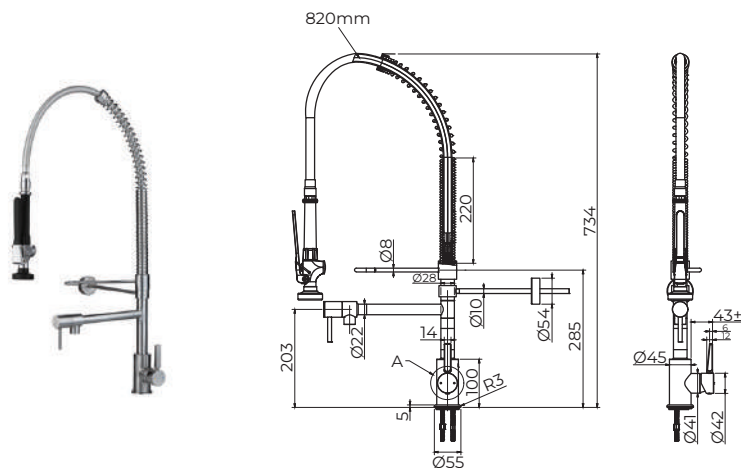
Zero Lead Stainless Steel 304 Hob Mounted Pre-Rinse Unit w/ Pot Filler and Mixer



GPJ1200C

Pre-Rinse Unit

Zero Lead Stainless Steel 304 Hob Mounted Pre-Rinse Unit w/ Pot Filler and Mixer - Compact

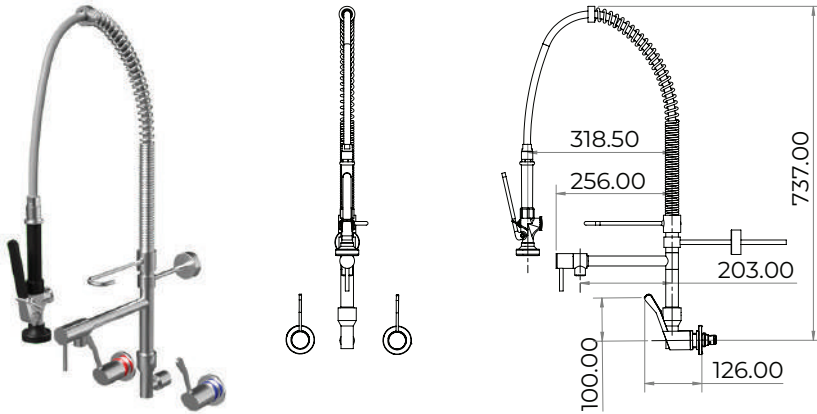


*Product information is subject to disclaimer within this catalogue.

GPJ3000W

Pre-Rinse Unit

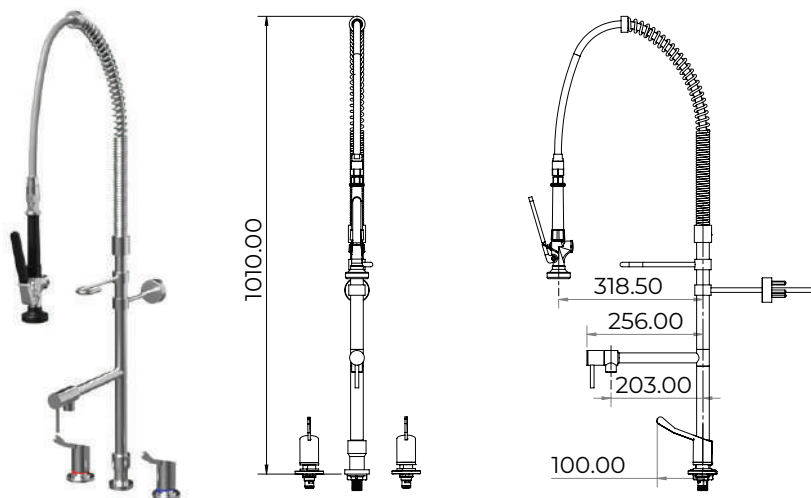
Zero Lead Stainless Steel 304 Wall Mounted Pre-Rinse Unit w/ Spray Arm



GPJ4000

Pre-Rinse Unit

Zero Lead Stainless Steel 304 Hob Mounted Pre-Rinse Unit w/ Trigger Spray



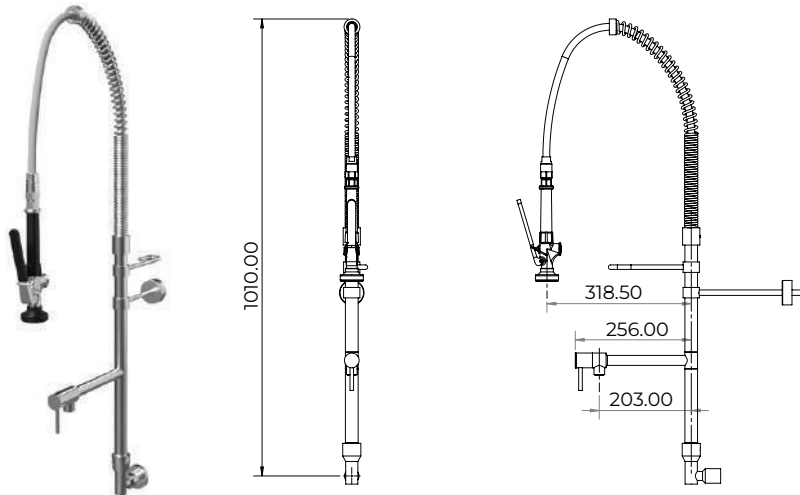
*Product information is subject to disclaimer within this catalogue.

GPURE® JETFLO

GPJ5000

Pre-Rinse Unit

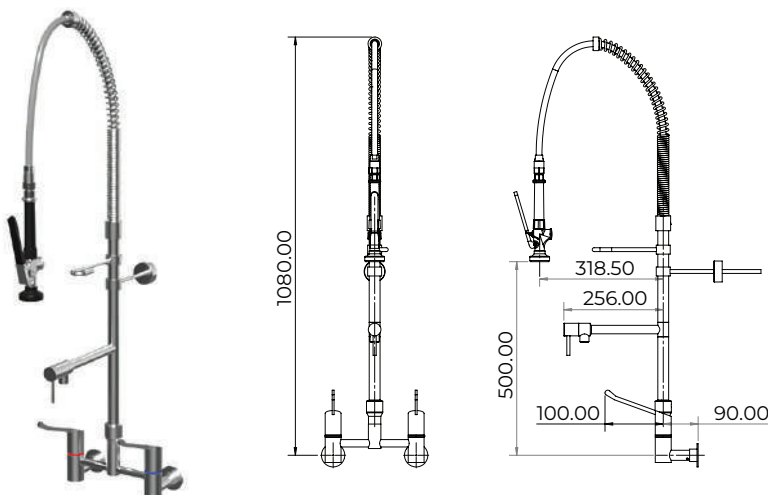
Zero Lead Stainless Steel 304 Wall Mounted Pre-Rinse Unit w/ Spray Arm



GPJ5600

Pre-Rinse Unit

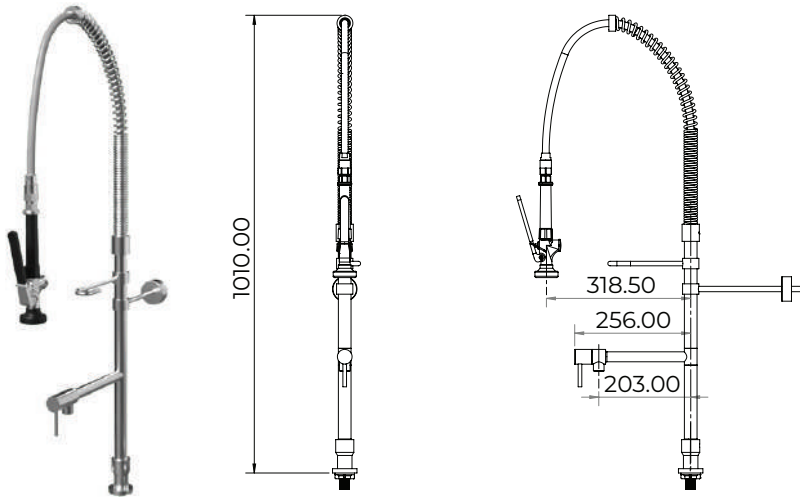
Zero Lead Stainless Steel 304 Wall Mounted Pre-Rinse Unit w/ Pot Filler



GPJ6000

Pre-Rinse Unit

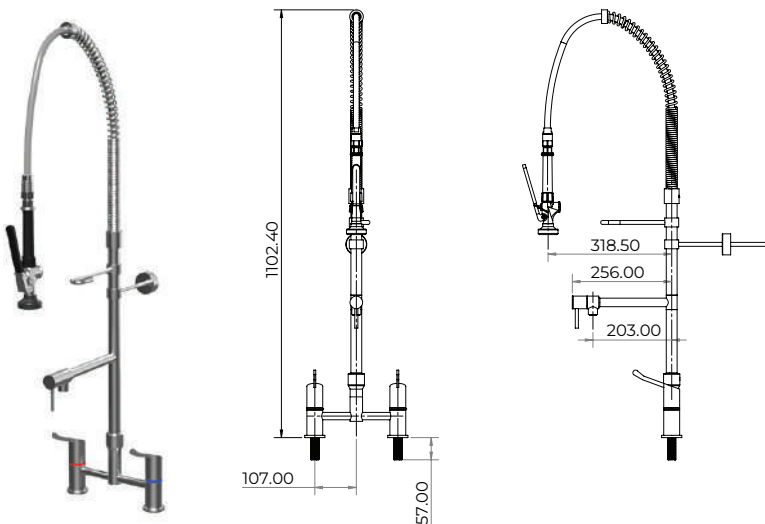
Zero Lead Stainless Steel 304 Hob Mounted Pre-Rinse Unit w/ Pot Filler



GPJ9900

Pre-Rinse Unit

Zero Lead Stainless Steel 304 Hob Mounted Pre-Rinse Unit w/ Pot Filler, Exposed Mixing Breech and 100mm Lever Handles



*Product information is subject to disclaimer within this catalogue.



- ✓ Hygienic
- ✓ Convenient
- ✓ Water & energy savings
- ✓ Soap option available

GPURE[®] SMARTEC PLUS — TOUCH FREE ELECTRONIC TAP & MATCHING SOAP DISPENSER

The TOP Choice of Easy Handwashing Solutions for Touch Free Washrooms

The COVID-19 pandemic has changed how we view our health and hygiene, and keeping our hands clean is one of the most important steps we can take to avoid getting sick and spreading germs to others.

The touch-free laser sensor taps come with wall and hob mounted options, which allows users to wash their hands without needing to touch any surfaces.



ELECTRONIC SENSOR TAP

Technical Information

- **Material:**
 - Main Body: Zero Lead Stainless Steel 304
 - Internal System: Zero Lead Stainless Steel 316
- **Cartridge:** Solenoid Valve
- **Cartridge Size:** 15mm
- **Inlet:**
 - 15mm Female Flexible Connections: PLUS1000 (M, B, BM)
 - 15mm Male: PLUS2500 (M, B, BM)
- **Flow Style:** Laminar Flow
- **Run Time:** 2 seconds (auto on / off)
- **Working Pressures:** 50kPa-500kPa (Recommended: 350kPa)
- **Working Temperatures:** 5°C - 50°C
- **Finish :** Polished

Product Features

- Stainless Steel Zero Lead
- Advanced laser sensor technology provides precision, consistency and with variable programming. This avoids nuisance triggering and activates on all skin tones
- Sensor range is adjustable post installation without the use of tools
- IP67 for the sensor and sensor tap, IP55 solenoid control box behind the wall
- Extension leads available for either power or sensor (not both simultaneously)
- Integral line strainer minimises fouling by debris in Solenoid
- Both battery and mains power options available (Configuration can be changed following installation)
- Factory-set runtime, sensitivity and hygiene flush options available
- Hygiene flush programming minimises the risk of Legionella from infrequently used fixtures
- All waterways are smooth bored for improved infection control
- Recommended for all types projects



ELECTRONIC SOAP DISPENSER

Technical Information

- **Material :** Zero Lead Stainless Steel 304
- **Run Time :** 1.5 seconds (auto on / off)
- **Finish :** Brushed
- **Soap Viscosity :** Between 1-3500m Pa.s (cP), Suggested viscosity is 1800Pa.s (cP)
- **Soap Bottle Capacity :** 1L, 12 Volt Soap Pump

Product Features

- Stainless Steel Zero Lead
- Advanced laser sensor technology provides precision, consistency and with variable programming. This avoids nuisance triggering and activates on all skin tones
- Sensor range is adjustable post installation without the use of tools
- Extension leads available for either power or sensor (not both simultaneously)
- Individual soap bottle is easily removable for refilling and servicing
- Mains power
- Product customisation available
- Recommended for all types projects

*Product information is subject to disclaimer within this catalogue.

GPURE[®] SMARTEC PLUS



ELECTRONIC SENSOR PLATE

Technical Information

- **Material:** Zero Lead Stainless Steel 304
- **Cartridge:** Solenoid Valve
- **Cartridge Size:** 15mm
- **Inlet:** 15mm Male
- **Run Time:**
 - 15 seconds (Factory Adjustable): PLUS3500 (M, B, BM)
 - Auto On/Off: PLUS4500 (M, B, BM)
- **Working Pressures:** 50kPa-500kPa (Recommended: 350kPa)
- **Working Temperatures:** 5°C - 50°C
- **Finish:** Brushed

Product Features

- Stainless Steel Zero Lead
- Advanced laser sensor technology provides precision, consistency and with variable programming. This avoids nuisance triggering and activates on all skin tones
- Sensor range is adjustable post installation without the use of tools
- IP67 rated control box enclosure houses the solenoid valve and waterproof connections
- Extension leads available for either power or sensor (not both simultaneously)
- Integral line strainer minimises fouling by debris in Solenoid
- Both battery and mains power options available (Configuration can be changed following installation)
- Factory-set runtime, sensitivity and hygiene flush options available
- Hygiene flush programming minimises the risk of Legionella from infrequently used fixtures
- All waterways are smooth bored for improved infection control
- Recommended for all types projects



URINAL FLUSHING SYSTEM

Technical Information

- **Material:** Plastic
- **Cartridge:** Solenoid Valve
- **Inlet:** 15mm Female
- **Working Pressures:** 50kPa-500kPa (Recommended: 350kPa)
- **Working Temperatures:** 5°C - 50°C

Product Features

- Zero Lead
- Advanced laser sensor technology provides precision, consistency and with variable programming. This avoids nuisance triggering and activates on all skin tones
- Sensor range is adjustable post installation without the use of tools
- IP67 rated control box enclosure houses the solenoid valve and waterproof connections
- Extension leads available for either power or sensor (not both simultaneously)
- Integral line strainer minimises fouling by debris in Solenoid
- Both battery and mains power options available (Configuration can be changed following installation)
- Factory-set runtime, sensitivity and hygiene flush options available
- Hygiene flush programming minimises the risk of Legionella from infrequently used fixtures
- All waterways are smooth bored for improved infection control
- Recommended for all types projects

*Product information is subject to disclaimer within this catalogue.

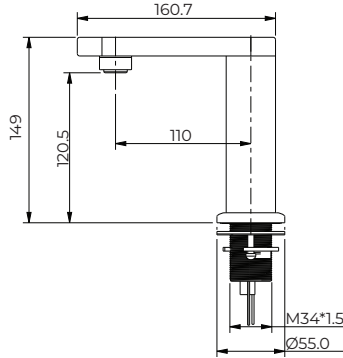
GPURE[®] SMARTEC PLUS

PLUS1000 (M, B, BM)

Electronic Tap

Zero Lead Stainless Steel 316 Hob Mounted 90 Degree Electronic Tap w/ Laser Sensor

PLUS1000BM: 6 Star, 6.0 LPM
 PLUS1000BM-2: 6 Star, 2.0 LPM
 PLUS1000BM-4: 6 Star, 4.0 LPM

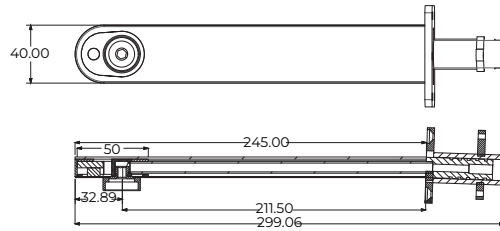


M: Mains Powered
 B: Proprietary Battery Powered
 BM: Battery & Mains Powered

PLUS2500 (M, B, BM)

Electronic Tap

Zero Lead Stainless Steel 316 Wall Mounted Electronic Tap w/ Laser Sensor

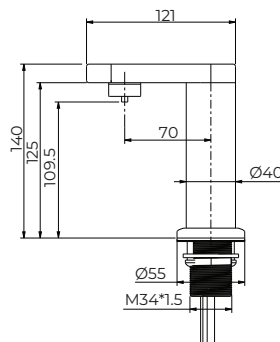


M: Mains Powered
 B: Proprietary Battery Powered
 BM: Battery & Mains Powered

PLUS1020S

Electronic Soap Dispenser

Zero Lead Stainless Steel 304 Hob Mounted Electronic Soap Dispenser w/ Laser Sensor Mains Powered

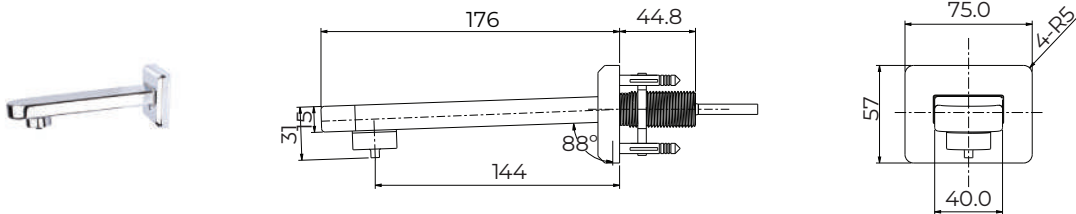


This design matches the PLUS1000 electronic sensor tap.

PLUS2520S

Electronic Soap Dispenser

Zero Lead Stainless Steel 304 Wall Mounted Electronic Soap Dispenser w/ Laser Sensor Mains Powered

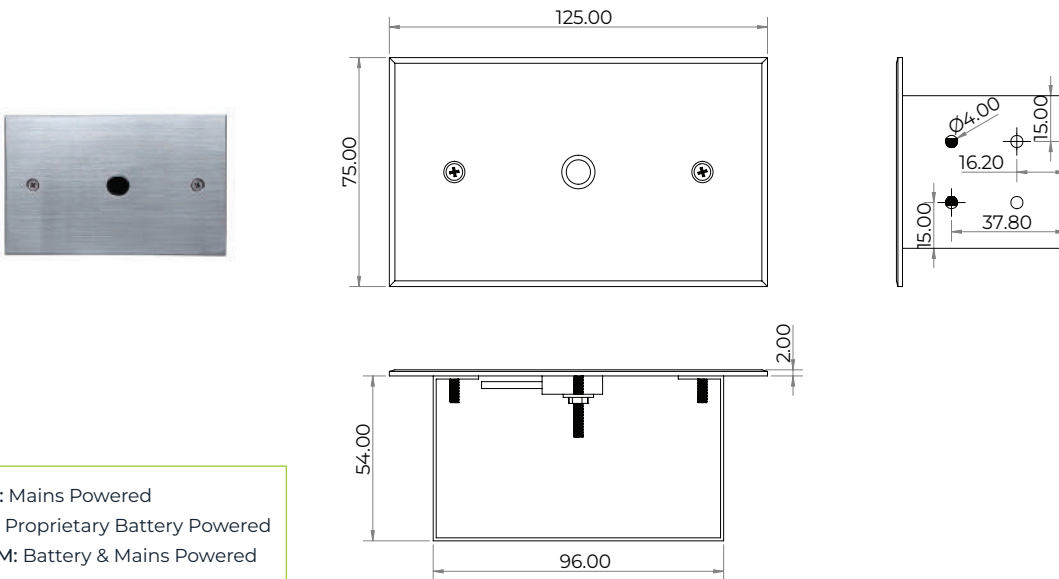


This design matches the PLUS2500 electronic sensor tap.

PLUS3500 (M, B, BM)

Electronic Sensor Plate

Zero Lead Stainless Steel 304 Wall Mounted Electronic Sensor Plate w/ Spout Less Laser Sensor



M: Mains Powered
 B: Proprietary Battery Powered
 BM: Battery & Mains Powered

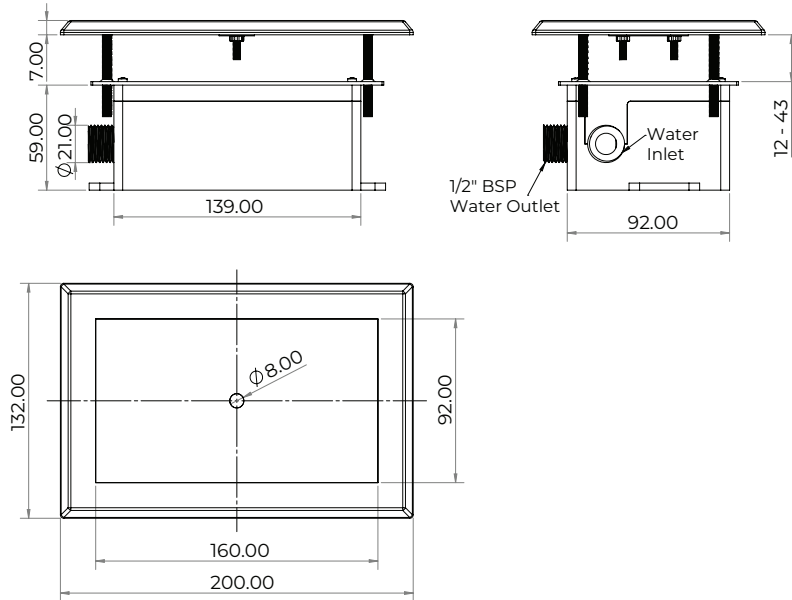
*Product information is subject to disclaimer within this catalogue.

GPURE[®] SMARTEC PLUS

PLUS4500 (M, B, BM)

Electronic Sensor Plate

Zero Lead Stainless Steel 304 Wall Mounted Electronic Plate w/ Magnetized Concealed Fixing Laser Sensor

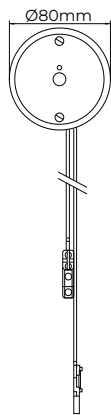


M: Mains Powered
 B: Proprietary Battery Powered
 BM: Battery & Mains Powered

PLUS6000

Urinal Flushing System

Plastic 40mm Male Outlet Urinal Flushing System w/ Air Brake Laser Sensor Mains Powered





Laser & Digital Sensor
Programming



Hygiene Flush



Durable &
Long-Lasting



Easily Maintained and
Rejuvenated



GPURE® GENEVO — STAINLESS STEEL ELECTRONIC SENSOR TAPWARE

No Mains Power Required

Our latest GPURE® GENEVO Stainless Steel Electronic Sensor Tapware - a powerful solution that operates without the need for external power sources. Crafted from Stainless Steel ZERO* Lead, it is a superior solution over traditional brass tapware.

*Product information is subject to disclaimer within this catalogue.



ELECTRONIC SENSOR TAP

Technical Information

- **Material :**
 - GPG1000 & GPG2500:
 - Main Body: Zero Lead Stainless Steel 304
 - Internal System and Solenoid: Zero Lead Stainless Steel 316
 - GPG3000:
 - Main Body, Internal System and Solenoid: Zero Lead Stainless Steel 316
- **Cartridge :** Stainless Steel Solenoid Valve
- **Cartridge Size :** M10
- **Inlet :**
 - 15mm Female Flexible Connection: GPG1000
 - 15mm Female Conne Connections: GPG2500 & GPG3000
- **Flow Style :** Laminar Flow
- **Working Pressures :** 50kPa-500kPa (Recommended : 350kPa)
- **Working Temperatures :** 5°C - 60°C
- **Finish:** Polished

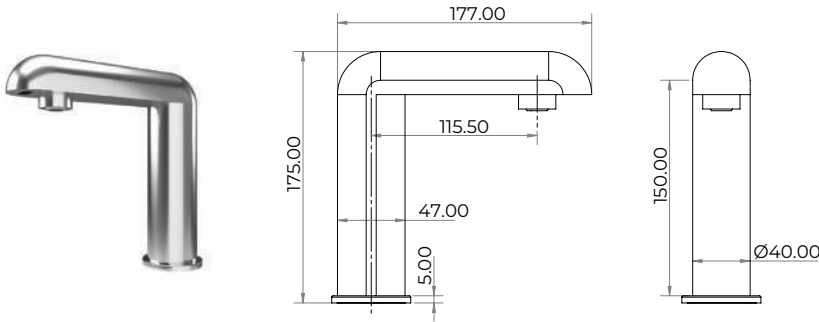
Product Features

- Stainless Steel Zero Lead
- Low Voltage Solenoid Valve
- Laser sensor technology: GPG1000 & GPG2500
- Digital sensor technology: GPG3000
- For Laser Sensor Tap (GPG1000 & GPG2500):
 - Expected Time between Recharges = 2.5 years
 - Expected Battery Replacement = 8 years
 - Solenoid is tested to 560,000 operations
- Internal Integrated sensor, solenoid valve and battery for easy installation without the need for any inwall / ceiling access
- Swivel aerator to allow adjustments
- Hygiene flush programming option to minimise the risk of Legionella and Biofilm Growth in infrequently used fixtures
- Unique "Push Fit" locking technology – allows installation / removal in less than a minute
- Environmentally sustainable design for rejuvenation and minimising maintenance
- Compatible with GENTEC STERISAN® Wash Basins and can be installed on other existing installations
- Wave on / Wave off and other run time options available on request, alternatively they can be adjusted on site utilising a remote control

GPG1000

Electronic Sensor Tap

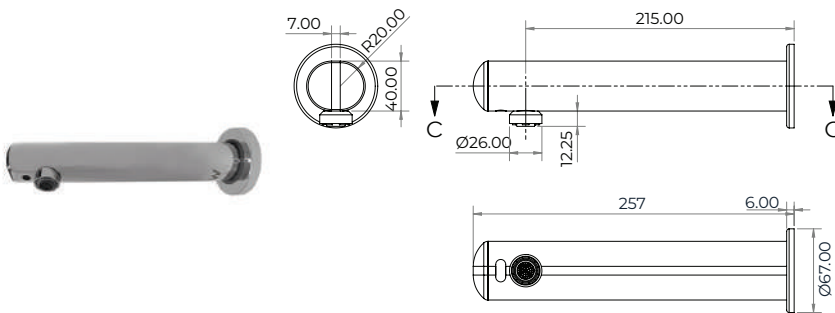
Zero Lead Stainless Steel 316 Hob Mounted Electronic Tap w/ Laser Sensor Proprietary Battery Powered



GPG2500

Electronic Sensor Tap

Zero Lead Stainless Steel 316 Wall Mounted Electronic Tap w/ Laser Sensor Proprietary Battery Powered



*Product information is subject to disclaimer within this catalogue.

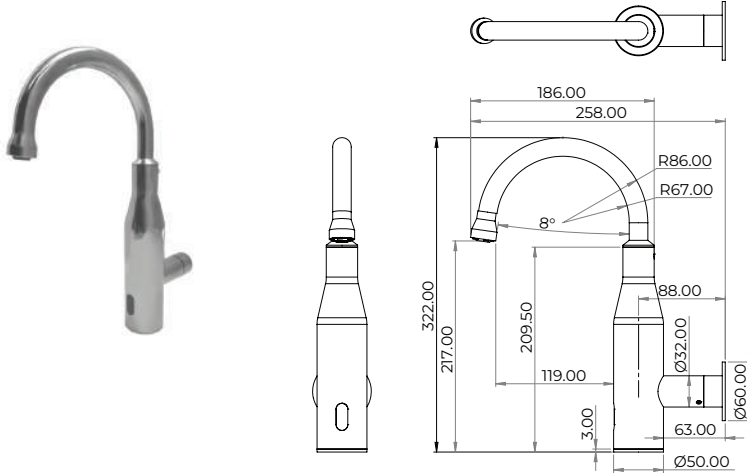
GPURE® GENEVO

GPG3000

Electronic Sensor Tap

Zero Lead Stainless Steel 316 Wall Mounted Gooseneck Electronic Tap w/ Internal Infrared Sensor Proprietary Battery Powered

GPG3000: 6 Star, 4.5 LPM
GPG3000-2: 6 Star, 2.0 LPM



Note: The information provided is only a guide, actual product may differ. The information here should not be relied on without clarification with Gentec. Gentec reserves the right to make design changes at any time without notification.

*Subject to terms and conditions, available at <https://gentecaustralia.com.au/terms-and-conditions/>

Disclaimer: Stainless Steel Grades 304 & 316 are manufactured with ZERO Lead.



Our Locations

AUSTRALIA

Head Office:

Sydney



Unit 6, 20-28 Ricketty Street,
Mascot, NSW 2020, Australia



T: +612 9319 4422
F: +612 8088 7635



info@gentecaustralia.com.au



gentecaustralia.com.au

Other Distribution Locations:

Victoria
South Australia
Queensland
Western Australia
Northern Territory
Tasmania

INTERNATIONAL

New Zealand

Pacific Islands

Fiji
Papua New Guinea

Asia Pacific

Singapore
Hong Kong
Malaysia

Middle East

United Arab Emirates

Europe

United Kingdom

Our Exclusive Distributor

