

SANITARYWARE PRODUCT SPECIFICATION CATALOGUE





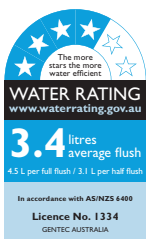


ABOUT GENTEC

At GENTEC, we focus on partnering with plumbing and building industries to develop and deliver innovative and compliant technical plumbing and building solutions for use within the healthcare, hospitality, commercial, educational and industrial sectors. We are an ISO9001 Quality Certified company. We distribute our commercial tapware, sanitaryware, water temperature control, building management, emergency shower and accessible design performance solutions both in Australia and internationally.

Our highly trained and committed team offers a superior support network that enables us to deliver the very best solutions in a highly efficient and responsive manner. GENTEC embraces and promotes a strong family culture where personal growth and development is nurtured and valued.

Our purpose-built design solutions encompass measurable whole of life cost benefits that enable operational savings critical in today's built environment.



Note: The information provided is only a guide, actual product may differ. The information here should not be relied on without clarification with Gentec. Gentec reserves the right to make design changes at any time without notification.
*Subject to terms and conditions, available at <https://gentecaustralia.com.au/terms-and-conditions/>

Disclaimer: Stainless Steel Grades 304 & 316 are manufactured with ZERO Lead.

PRODUCT SOLUTIONS FOR ALL



Designed to Suit Your Needs

GENTEC products have been specially designed for target markets within the commercial industry. These markets have been chosen, so the ranges complement each other and the users can find complete solutions within the GENTEC Range.

Healthcare Risk Prevention Solutions

Hospitals
Aged Care
Medical Clinics
Research Facilities
Accessible Facilities



Our extensive experience and know-how enable us to offer a comprehensive suite of products and solutions for Health and Aged Care applications. We work closely with all the key stakeholders in the health care sector, which gives us a thorough understanding of the critical elements needed to mitigate cross infection and microbial control.

Commercially Fit-for-purpose Solutions

Hotels
Education
Office Buildings
Shopping Centres
Sporting Facilities



High-traffic public facilities demand fit-for-purpose vandal resistant solutions that continue to perform day in and day out with minimal downtime. At GENTEC, understanding the demanding need for safe, effective solutions with designs and technology that embody a strong service life is at the core of our offerings. Water and energy efficiency is additionally combined into solutions that are fit for today's increasing hygiene demands within commercial facilities.

Hospitality Commercial Products Solutions

Restaurants
Hotels & Clubs
Sporting Facilities
Commercial Kitchens



GENTEC's functional and comprehensive range of solutions for hospitality and food preparation applications have been designed and manufactured for those that demand premium quality fitout of their facilities. Hygiene and performance are critical within this space. At GENTEC, our fit-for-purpose solutions from pre-rinse sprays, touch-free outlets through to water temperature control for safe and hygienic hand washing mesh perfectly together along with superior service life.

Professional & School Laboratory Solutions

Educational Facilities
Mining
Universities
Laboratories
Medical Facilities



Our extensive GENTEC product range offers a variety of option to suit any specific application you may require. The DURALAB range includes bench, pendant or wall systems with services ranging from water to any gas or dry services. This range is complimented by our ECOSAFE safety shower range to provide a complete solution for any scientific scenario.

Health & Safety Solutions for Industrial Applications

Mining
Refineries
Laboratories
Manufacturing
Chemical Plants



Workplace Health and Safety is critical in any workplace. Whilst mitigating risks through the application of sound procedures and processes, many workplaces require the additional use of first response equipment such as emergency showers and eyewash. At GENTEC, our fit-for-purpose compliant solutions are perfectly suited for commercial, industrial, and mining applications that mandate such products for the protection of their workforce who may be exposed to hazardous materials during their day-to-day activities.

Corrections/ Mental Health Solutions

Hospitals
Aged Care Facilities
Corrective Facilities
Police Stations
Public Facilities



We have a range of robust products for use at Corrections/ Mental Health facilities. These products provide the highest level of security with the use of vandal resistant and anti-ligature features. These are easy to use and clean, while providing water and energy savings.



Sterisan®

BASINS

STERISAN® Basins are a range of high-quality, hygienic basins designed for use in health and aged care applications. The basins are available in a range of sizes and configurations to suit different applications, and are easy to clean and maintain.

- Specifically designed with a rear offset waste to prevent aerosols created from water being directed into the waste fitting, thus reducing airborne bacteria
- Sloped surfaces in the bowl area to drain water effectively to rear offset waste
- NANO glazing
- Soap overflow will drop straight into the drain
- Hygienic hand wash method



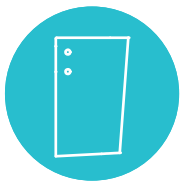
BASINS

Technical Information

- **Material:** Ceramic
- **Outlet:** 40mm Male
- **Waste Location:** Offset Waste
- **Finish:** White Glaze
- **Overflow:** No Overflow

Product Features

- Hygienic concealed fixings
- Unique, rear offset drain to eliminate outlets reaching over waste
- Sloped surfaces to reduce bacteria growth
- SANV560B, SANV560B-1TH :Designed to meet Type B medium clinical hospital basin requirements specified in Australasian Health Facility Guidelines 2016
- SANC610B, SANC610BT: Designed to meet Type A large “scrub” clinical hospital basin requirements specified in Australasian Health Facility Guidelines 2016
- SANC610B, SANC610BT: Deep bowl with anti-splash technology for clinical use
- SANF715BL, SANF715BLT, SANF715BR, SANF715BRT: Can be installed to comply with AS1428.1-2021
- SANF715BL, SANF715BLT, SANF715BR, SANF715BRT: Design for Access and Mobility requirements
- Weight Bearing Up to 150kg (dependant on correct installation)
- Underside of bowl is glazed for easy cleaning
- Nanotechnology Coating
- Basin Shroud to suit available
- Recommended for use in health and aged care projects



BASIN SHROUDS

Technical Information

- **Material :** Stainless Steel (SS304)
- **Finish :** Pearl White (Stainless-coating Paint)

Product Features

- Fixed with bracket and wall screws (included)
- Lightweight construction
- Fixed with security hex screws (included)
- Recommended for use in health and aged care projects

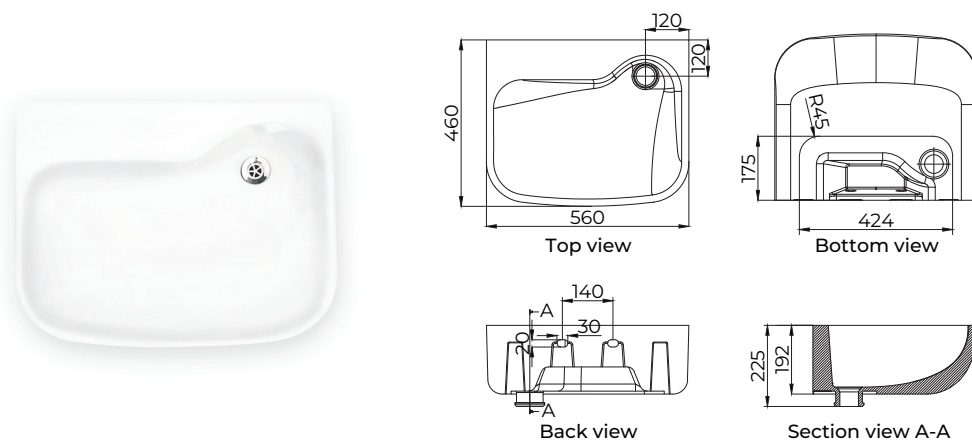
*Product information is subject to disclaimer within this catalogue.

STERISAN® BASINS

SANV560B

Clinical Basin

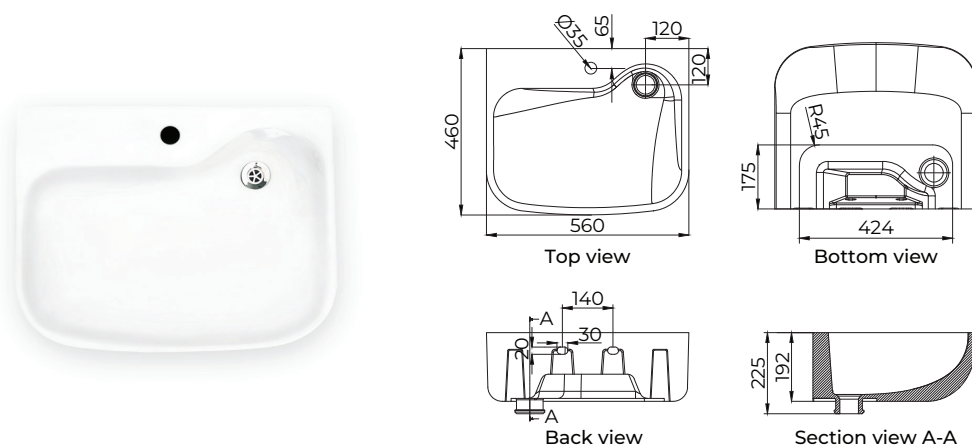
Wall Mounted Type B Clinical Basin w/ No Tap Hole Offset Waste No Overflow



SANV560B-1TH

Clinical Basin

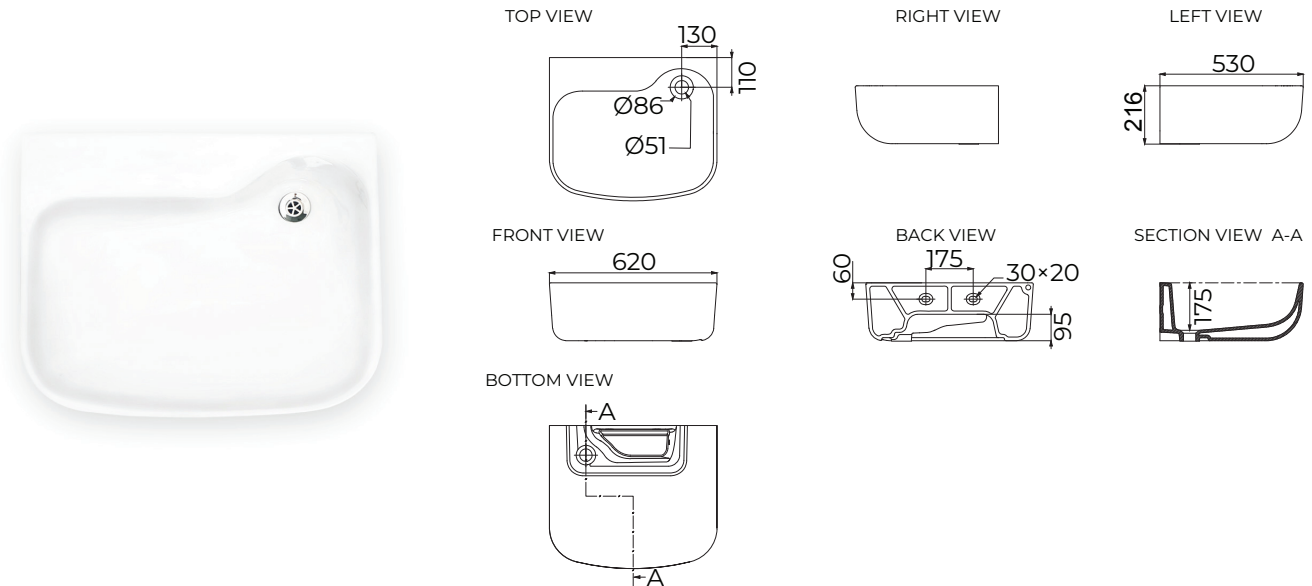
Wall Mounted Type B Clinical Basin w/ One Tap Hole Offset Waste No Overflow



SANC610B

Clinical Basin

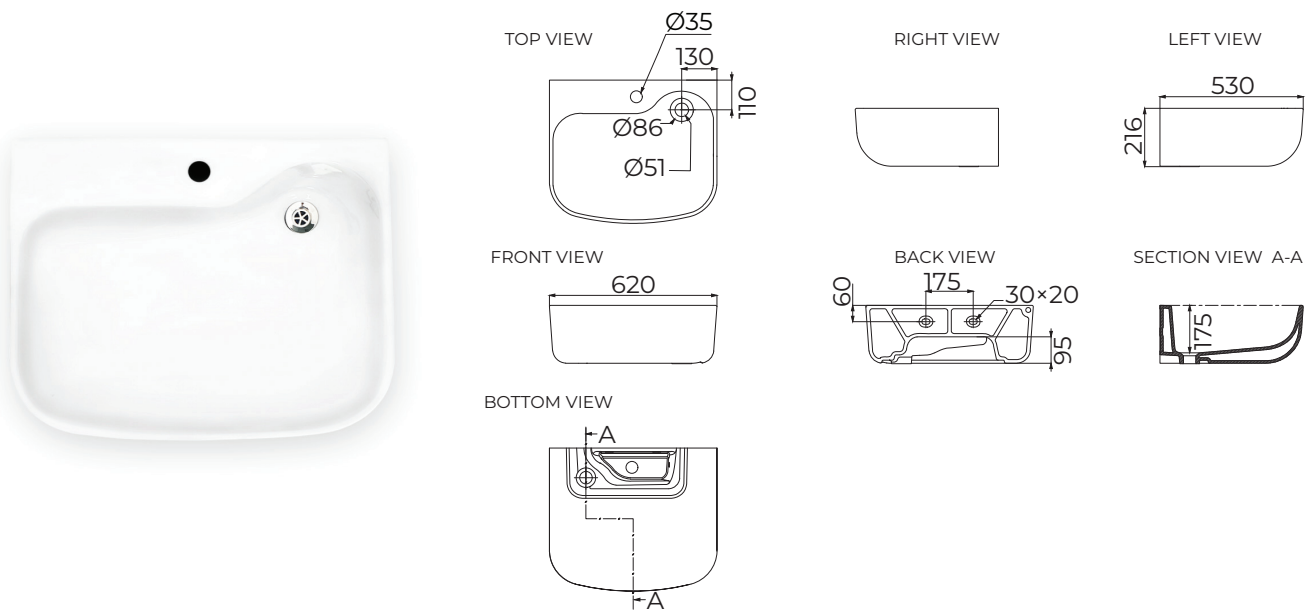
Wall Mounted Type A Clinical Basin w/ Nano Glazing, No Tap Hole Offset Waste No Overflow



SANC610BT

Clinical Basin

Wall Mounted Type A Clinical Basin w/ Nano Glazing, One Tap Hole Offset Waste No Overflow



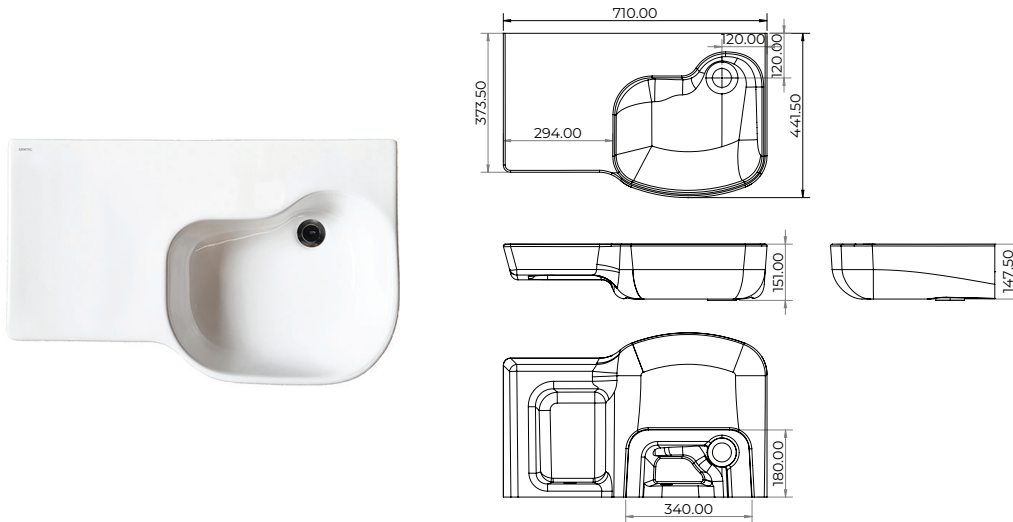
*Product information is subject to disclaimer within this catalogue.

STERISAN® BASINS

SANF715BL

Accessible Basin

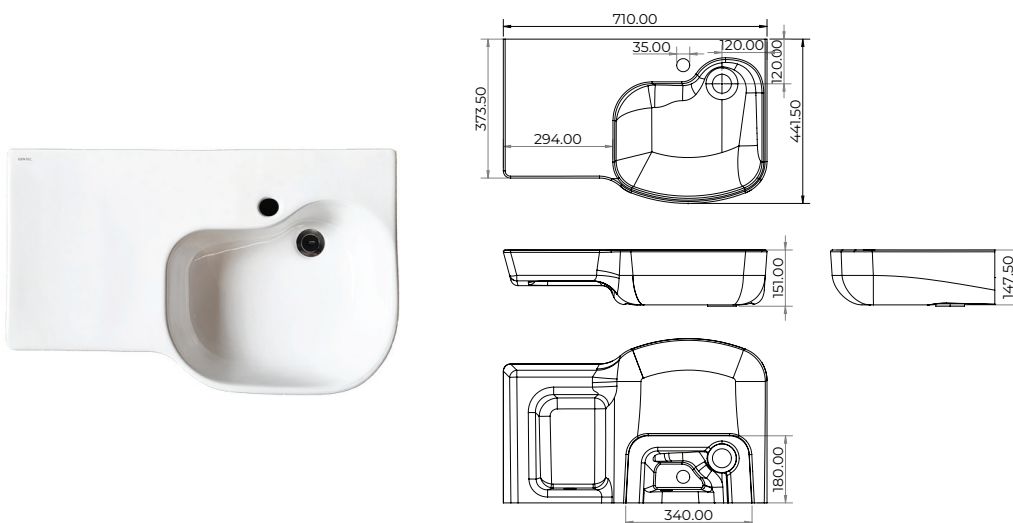
Wall Mounted Type C Accessible Basin w/ Left Shelf, Nano Glazing No Tap Hole Offset Waste No Overflow



SANF715BLT

Accessible Basin

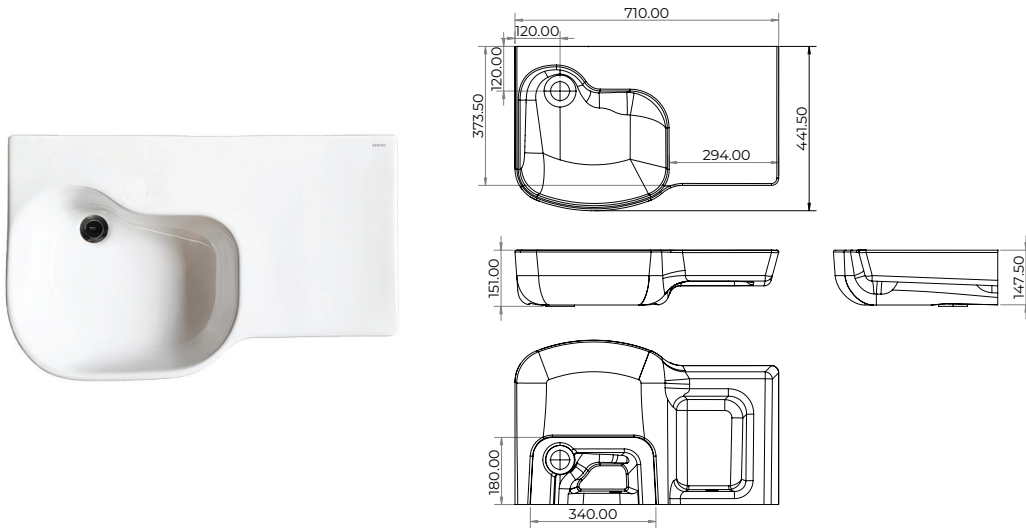
Wall Mounted Type C Accessible Basin w/ Left Shelf, Nano Glazing, One Tap Hole Offset Waste No Overflow



SANF715BR

Clinical Basin

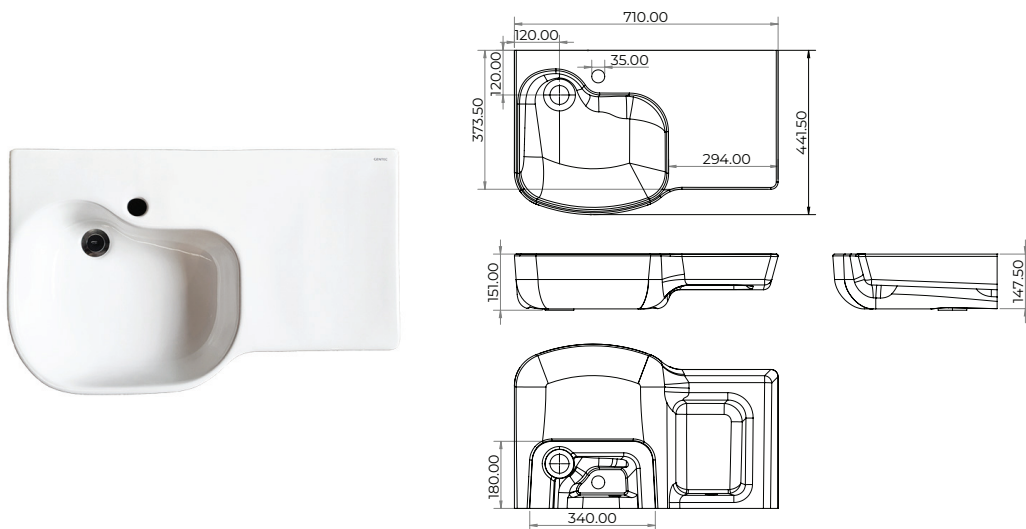
Wall Mounted Type C Accessible Basin w/ Right Shelf, Nano Glazing, No Tap Hole Offset Waste No Overflow



SANF715BRT

Clinical Basin

Wall Mounted Type C Accessible Basin w/ Right Shelf, Nano Glazing, One Tap Hole Offset Waste No Overflow



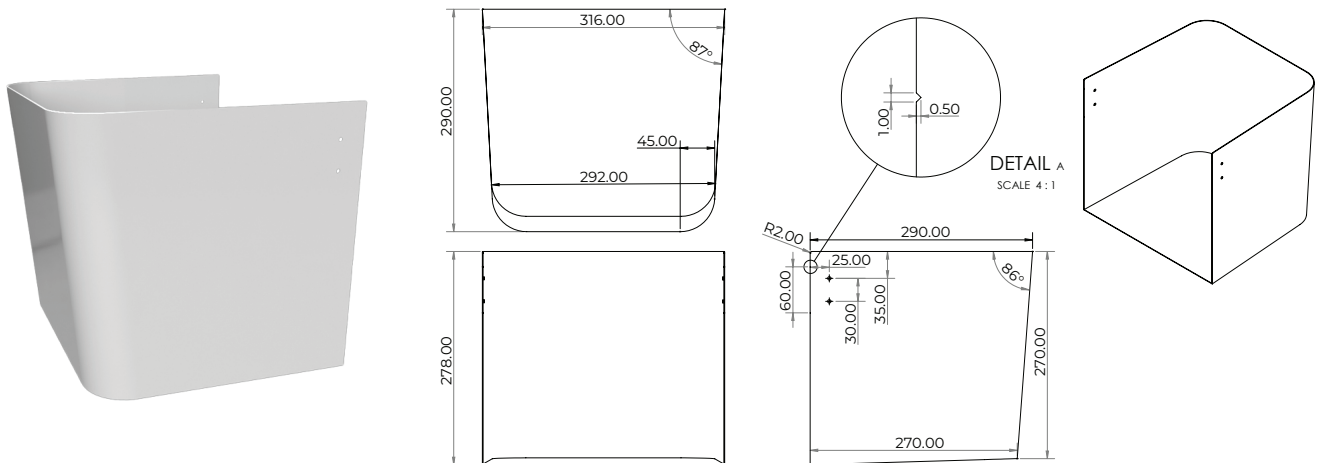
*Product information is subject to disclaimer within this catalogue.

STERISAN® BASINS

SAN9011

Basin Shroud

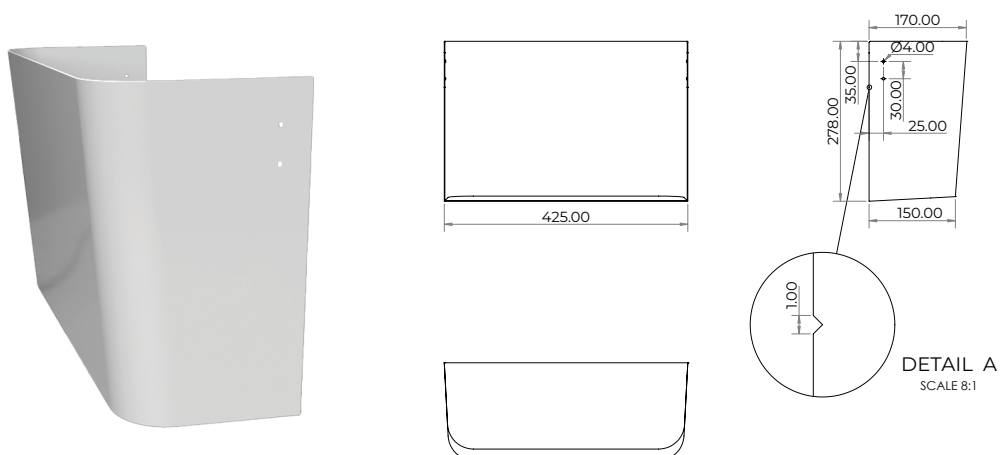
Stainless Steel Powder Coated Shroud To Suit SANF715B/ BT / SANB500



SAN9012

Basin Shroud

Shroud w/ (Stainless-Coating Paint) - To Suit SANV560/SANF610/SANC610





Sterisan®

TOILET SUITES

The STERISAN® Toilet Suites provide a comprehensive solution for facilities that prioritise hygiene, such as health and aged care facilities. This range features high-quality vitreous china and includes a variety of toilet suite designs and configurations to meet different needs.

*Product information is subject to disclaimer within this catalogue.

STERISAN® TOILET SUITES



TOILET SUITES

Technical Information

- Material : Vitreous China
- Inlet : 15mm Female Flexible Connection
- Working Pressures : 50kPa-500kPa (Recommended : 350kPa)
- S-Trap : Included / Adjustable (P-Trap capable)
- Finish : White Glaze

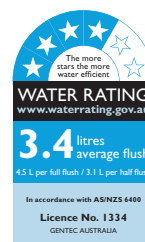
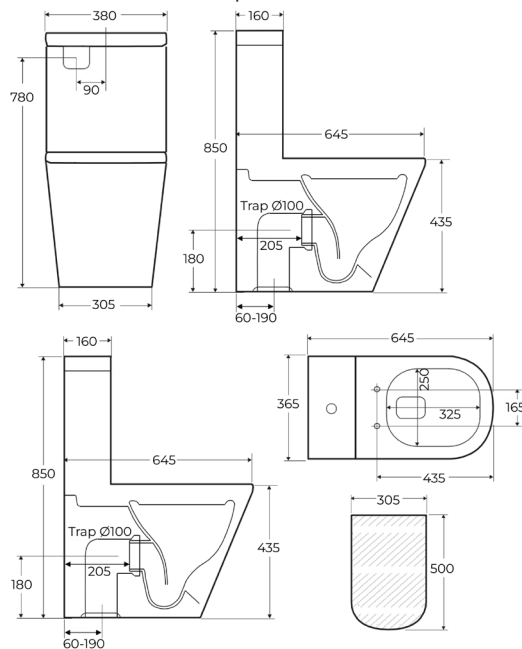
Product Features

- Water saving rimless hygiene flush
- SANWC870CC, SANWC880CC & SANWC800: Can be installed to comply with AS1428.1
- SANWC870CC: Close coupled cistern
- SANWC870CC, SANWC500CC, SANWC500IW & SANWC500: Double Flap soft close toilet seat
- SANWC880CC & SANWC800: Single flap seat
- SANWC880CC: Pneumatically operated cistern
- Recommended for all projects: SANWC500, SANWC500CC & SANWC500IW
- Recommended for health and aged care projects: SANWC800, SANWC880CC & SANWC870CC

SANWC870CC

Close Coupled Toilet Suite

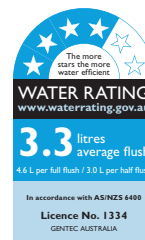
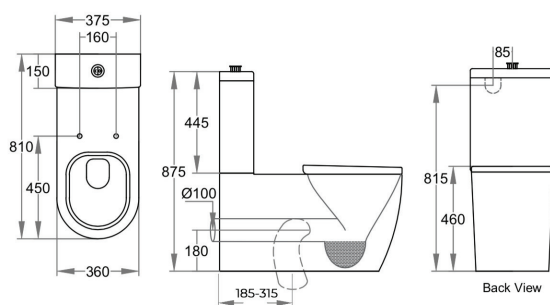
Wall Faced Close Coupled Ambulant Toilet Suite w/ Exposed Cistern Soft Close White Double-Flap Seat



SANWC880CC

Close Coupled Toilet Suite

800mm Wall Faced Close Coupled Toilet Suite w/ Raised buttons and DDA Compliant Grey Single-flap Seat



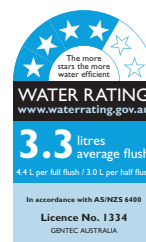
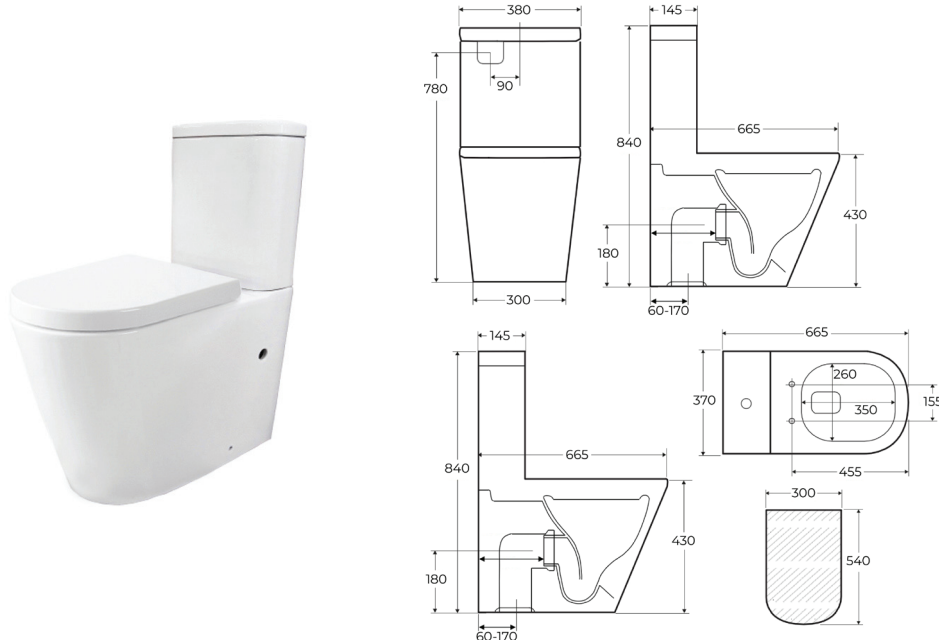
*Product information is subject to disclaimer within this catalogue.

STERISAN® TOILET SUITES

SANWC500CC

Close Coupled Toilet Suite

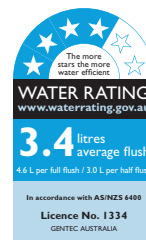
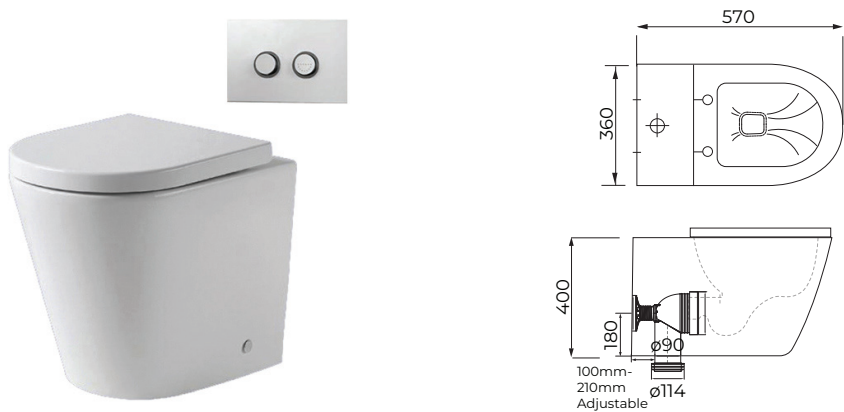
Wall Faced Close Coupled Toilet Suite w/ Exposed Cistern Soft Close White Double-Flap Seat



SANWC500IW

Wall Faced Toilet Suite

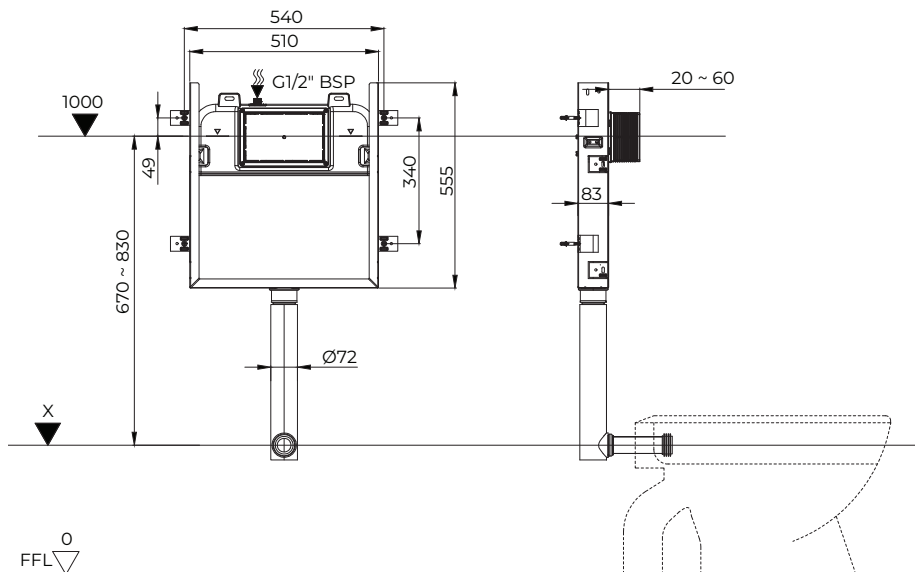
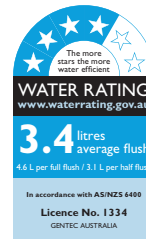
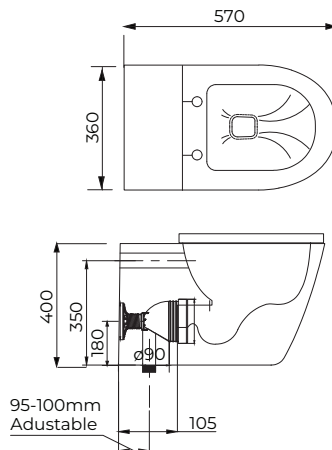
In-Wall Wall Faced Toilet Suite w/ Concealed Cistern Soft Close White Double-Flap Seat



SANWC500 + SAN9005P

In-Wall Toilet Pan + Concealed Cistern

In-Wall Toilet Pan Only w/ White Double-Flap Seat + In Wall Cistern only w/ Mounting Frame without Button
(Pneumatic Operation)



*Product information is subject to disclaimer within this catalogue.

STERISAN® TOILET SUITES

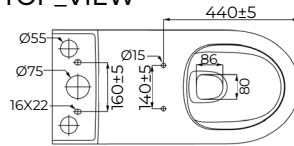
SANWC800 + SAN9005P

In Wall Toilet Pan + Concealed Cistern

In-Wall Accessible Toilet Pan Only w/ DDA Compliant Single-Flap Seat + In Wall Cistern only w/ Mounting Frame without Button (Pneumatic Operation)



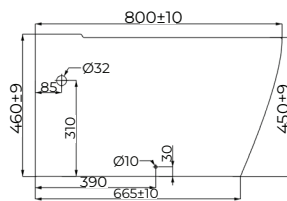
TOP_VIEW



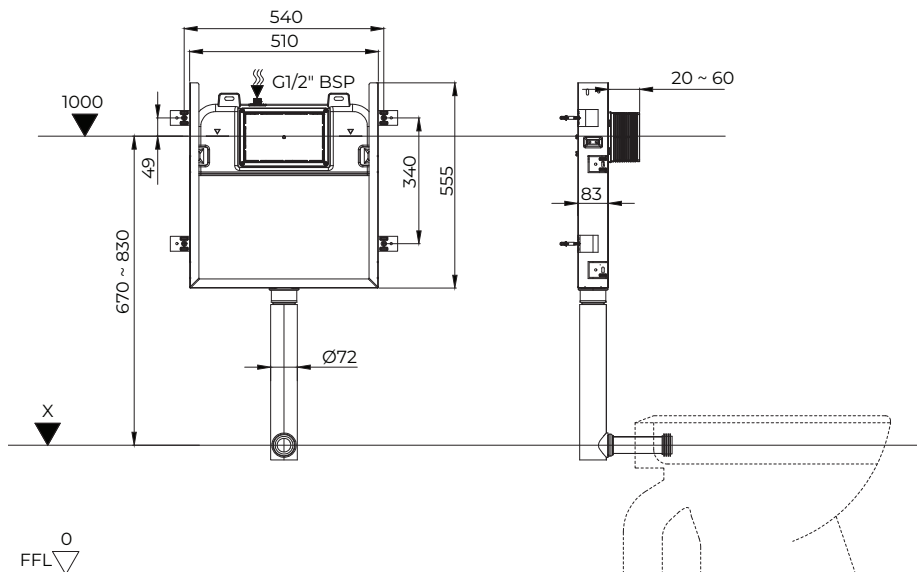
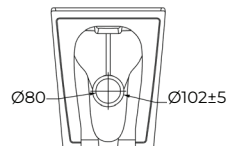
FRONT_VIEW



LEFT_VIEW



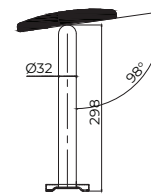
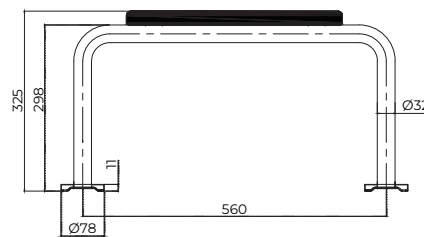
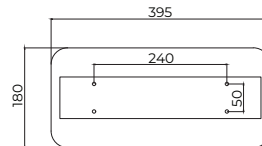
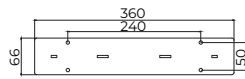
BACK_VIEW



CC3510

Back Rest

Large Size Stainless Steel Padded Back Rest



*Product information is subject to disclaimer within this catalogue.



Stop odours



Stop virus spread



Stop insects

One-Way Valve provides a seal between the basin waste and the basin bowl to seal off any possible aerosol of bacteria and biofilm into the hand wash area



ONE-WAY VALVE

GENTEC's One-Way Valve offers a unique drainage solution that stands out from other products on the market. Its flexible, single-piece units are easy to install and require minimal maintenance, making it a convenient option for customers.

Additionally, this range can be coupled and retrofitted with any of our existing 316 Stainless Steel 32mm/40mm basin waste without any disruption to the surrounding waste area.

One-Way Valve features a one-way valve that allows water to flow freely, while preventing the escape of pathogens, odours, and vermin from the sewage and waste system into habitable zones.

ONE-WAY VALVE



STAINLESS STEEL BASIN WASTE WITH ONE-WAY VALVES

Technical Information

- Material: Zero Lead Stainless Steel 316
- Finish: Body- Polished Stainless Steel

Product Features

- Removable one way valve to seal biofilm bacteria from basin waste
- Provides easy access to allow cleaning of biofilm without causing aerosoling
- No ridges or braces to obstruct or catch waste
- Air tight seal to prevent any odour from escaping
- Recommended for use in all public use, health and aged care projects

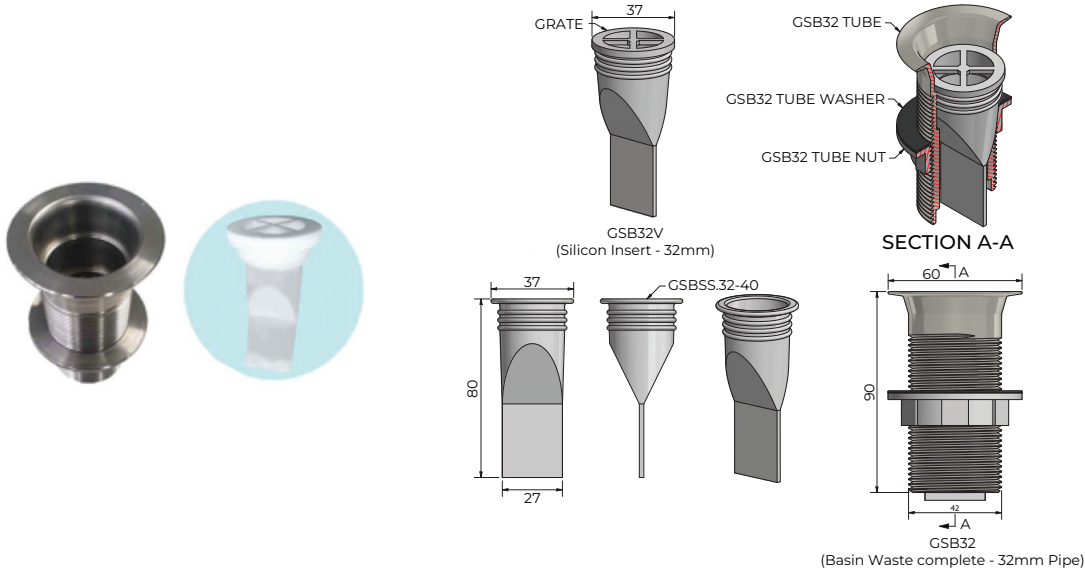
*Product information is subject to disclaimer within this catalogue.

ONE-WAY VALVE

GSB32

Sanitary Drain Solutions

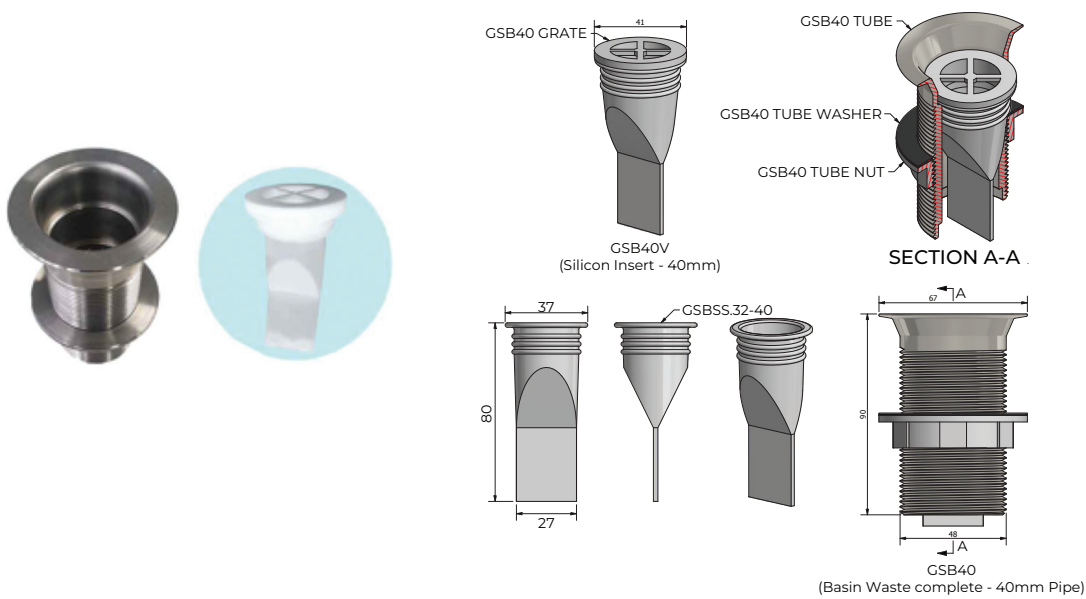
SS Plug & Basin Waste with Replaceable One-Way Valve 32 mm




GSB40

Sanitary Drain Solutions

SS Plug & Basin Waste with Replaceable One-Way Valve 40 mm





Note: The information provided is only a guide, actual product may differ. The information here should not be relied on without clarification with Gentec. Gentec reserves the right to make design changes at any time without notification.
*Subject to terms and conditions, available at <https://gentecaustralia.com.au/terms-and-conditions/>

Disclaimer: Stainless Steel Grades 304 & 316 are manufactured with ZERO Lead.



Our Locations

AUSTRALIA

Head Office:

Sydney



Unit 6, 20-28 Ricketty Street,
Mascot, NSW 2020, Australia



T: +612 9319 4422
F: +612 8088 7635



info@gentecaustralia.com.au



gentecaustralia.com.au

Other Distribution Locations:

Victoria
South Australia
Queensland
Western Australia
Northern Territory
Tasmania

INTERNATIONAL

New Zealand

Pacific Islands

Fiji
Papua New Guinea

Asia Pacific

Singapore
Hong Kong
Malaysia

Middle East

United Arab Emirates

Europe

United Kingdom

Our Exclusive Distributor

