

USER MANUAL

STERISAN[®] Basins

- **SANV560B** - Wall Mounted Type B Clinical Basin w/ No Tap Hole Offset Waste No Overflow
- **SANV560B-1TH** - Wall Mounted Type B Clinical Basin w/ One Tap Hole Offset Waste No Overflow
- **SANC610B** - Wall Mounted Type A Clinical Basin w/ Nano Glazing, No Tap Hole Offset Waste No Overflow
- **SANC610BT** - Wall Mounted Type A Clinical Basin w/ Nano Glazing, One Tap Hole Offset Waste No Overflow
- **SANF715BL** - Wall Mounted Type C Accessible Basin w/ Left Shelf, Nano Glazing No Tap Hole Offset Waste No Overflow
- **SANF715BLT** - Wall Mounted Type C Accessible Basin w/ Left Shelf, Nano Glazing, One Tap Hole Offset Waste No Overflow
- **SANF715BR** - Wall Mounted Type C Accessible Basin w/ Right Shelf, Nano Glazing, No Tap Hole Offset Waste No Overflow
- **SANF715BRT** - Wall Mounted Type C Accessible Basin w/ Right Shelf, Nano Glazing, One Tap Hole Offset Waste No Overflow
- **SAN9011** - Stainless Steel Powder Coated Shroud To Suit SANF715B/ BT / SANB500
- **SAN9012** - Shroud w/ (Stainless-Coating Paint) - To Suit SANV560/SANF610/ SANC610



USER MANUAL

Table of Contents

Scope of Use	2
Technical Information	3
Product Images & Technical Drawings	4
Installation Steps	10
Troubleshooting	13
Cleaning & Maintenance	14
Responsibly Sourced	14

Scope of Use

Installation is subject to the regulatory requirements of the plumbing code of Australia associated to AS/NZS 3500.2 and AS 1428.1 if applicable.

- **Installation:** Refer to the installation instructions included within this manual
- **Suitable for P trap/S trap/ Bottle trap**
- **Suitable for indoor use**
- **Comply to AS1172.4**
- **Water drain towards the offset waste**

Technical Information

Basins

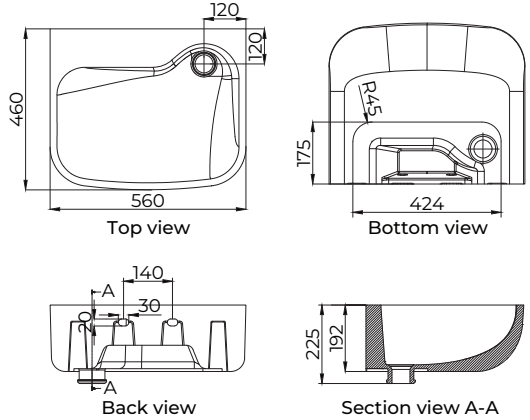
Material	Ceramic
Outlet	40mm Male
Overflow	No Overflow
Finish	White Glaze

Basin Shroud

Material	Stainless Steel (SS304)
Finish	Pearl White (Stainless-coating paint)

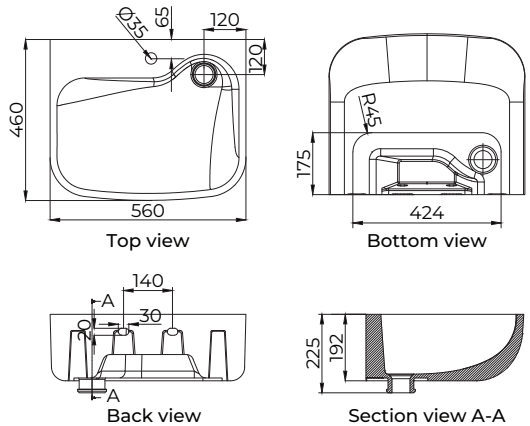
USER MANUAL

Product Images & Technical Drawings



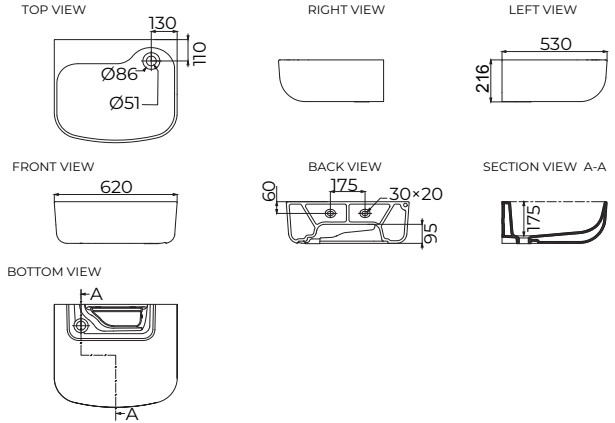
SANV560B

Wall Mounted Type B Clinical Basin w/ No Tap Hole Offset Waste No Overflow



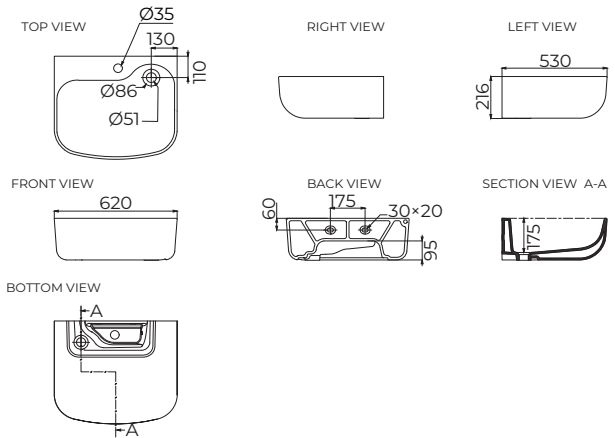
SANV560B-1TH

Wall Mounted Type B Clinical Basin w/ One Tap Hole Offset Waste No Overflow



SANC610B

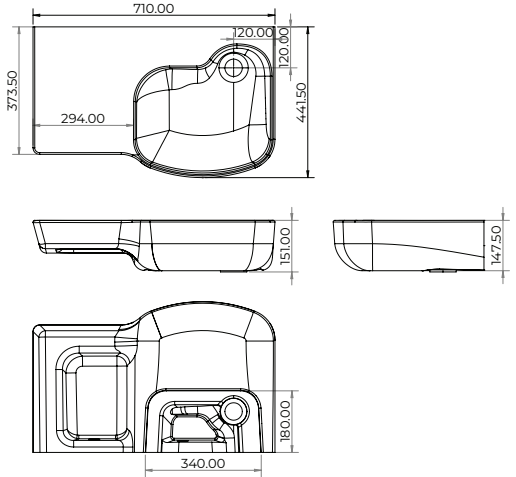
Wall Mounted Type A Clinical Basin w/ Nano Glazing, No Tap Hole Offset Waste No Overflow



SANC610BT

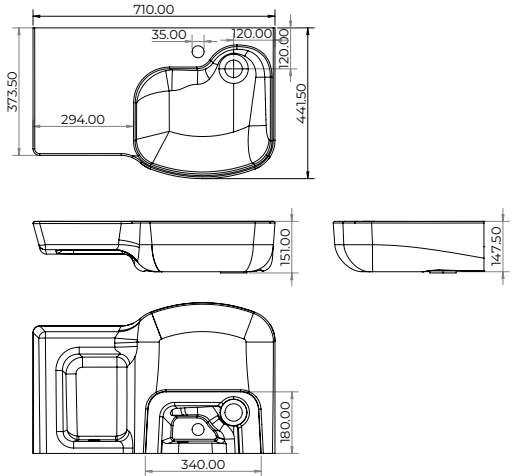
Wall Mounted Type A Clinical Basin w/ Nano Glazing, One Tap Hole Offset Waste No Overflow

USER MANUAL



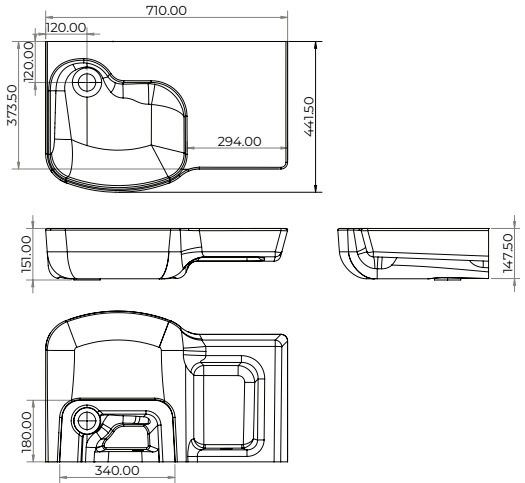
SANF715BL

Wall Mounted Type C Accessible Basin w/ Left Shelf, Nano Glazing No Tap Hole Offset Waste No Overflow

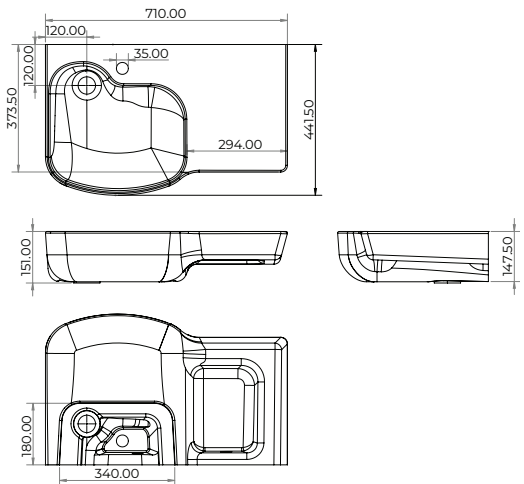


SANF715BLT

Wall Mounted Type C Accessible Basin w/ Left Shelf, Nano Glazing, One Tap Hole Offset Waste No Overflow

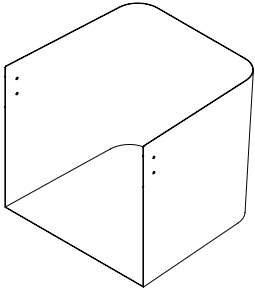
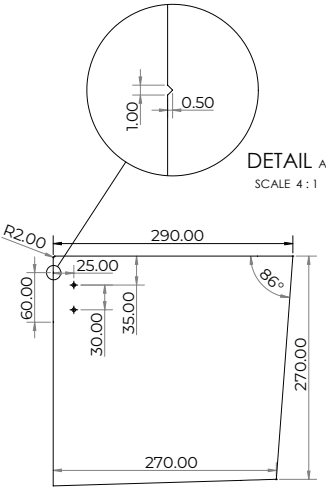
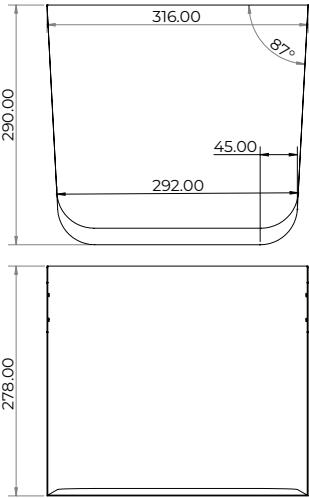

SANF715BR

Wall Mounted Type C Accessible Basin w/ Right Shelf, Nano Glazing, No Tap Hole Offset Waste No Overflow


SANF715BRT

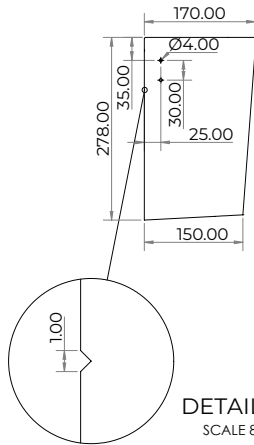
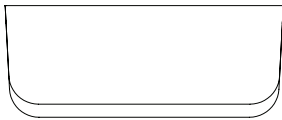
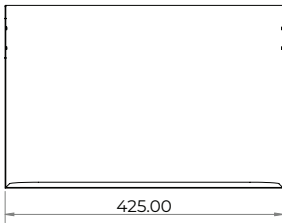
Wall Mounted Type C Accessible Basin w/ Right Shelf, Nano Glazing, One Tap Hole Offset Waste No Overflow

USER MANUAL

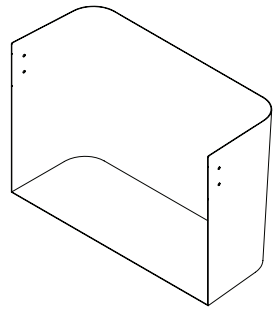


SAN9011

Stainless Steel Powder Coated Shroud To Suit SANF715B/ BT / SANB500



DETAIL A
SCALE 8:1



SAN9012

Shroud w/ (Stainless-Coating Paint) - To Suit SANV560/SANF610/SANC610

Note: Dimensions are provided as a guide and are subject to manufacturing tolerances.

USER MANUAL

Installation Steps

IMPORTANT

Provide suitable reinforcement behind the finished wall to allow fixing kit at the mounting height position.

1. Remove the basin from the carton and inspect for any transport damage. If the product is damaged do not proceed with the installation.
2. Mark fixing screw hole position on the finished wall as per dimensions; Note: This product has an offset waste.
3. For masonry wall drill 2 x 12mm holes for expansion fasteners, For timber stud wall drill 2 x 8mm holes for fixing screws and ensure they are leveled.
4. Using the flat section of the screw with a spanner ensure to tighten and allow 40mm of thread from the finished wall.
5. Place the basin onto the fixing screws, insert the nylon flange washers and backing washers then tighten the nuts, ensure to level off the basin before complete fastening.
6. It is recommended to finish off installation with silicon beading between the basin and the wall.
7. Assemble taps and waste fittings to the basin.

Optional Shroud

1. The shroud bracket (supplied) fixed to the wall.
2. Secure the basin and connect plumbing.
3. Locate the bracket in position and double check. The bracket and shroud should line up then mount the bracket.
4. Position the shroud beneath the basin and locate the bracket hole with the bracket. Screw the fixing bolt into shroud and bracket, and tighten with an Allen Key (not supplied).

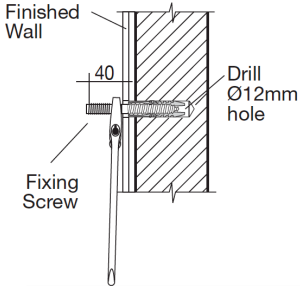
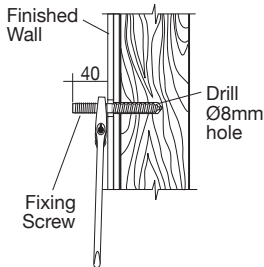
IMPORTANT: DO NOT OVER TIGHTEN, THIS MAY RESULT IN SHROUD DAMAGE.

5. Check shroud is level and secured with basin with no apparent gap.

DISCLAIMER:

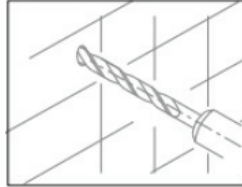
GENTEC strongly recommends only using STERISAN® Bottle Traps (SAN9001) with STERISAN® Basins.

If you are installing a basin with a shroud, please contact GENTEC for a separate data sheet that deals with set outs for standard 'P' traps.

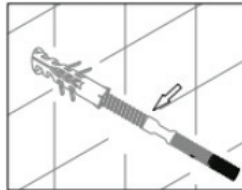
SANV560B, SANC610B, SANF715BLT, SANF715BRT INSTALLATION STEPS
Fixing Screw Masonry Walls Installation

Fixing Screw Timber Stud Wall Installation

Note:

- Ensure adequate support is provided using the masonry fixture mounting.
- Ensure the walls are all square.

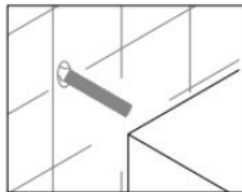
Step 1. Locate and drill 2 x 12mm masonry wall holes or 2 x 8mm timber wall holes for basin bolts.



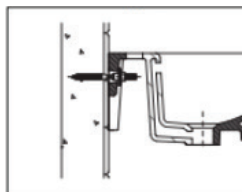
Step 2. Insert wall plugs and screw in the bolts to limit of threaded section.



Step 3. Fit basin to bolts, ensure to support basin.

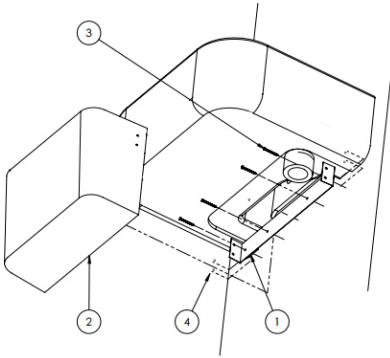


Step 4. Fit nylon flange washers, backing washers then tighten nuts. Ensure to level off the basin before complete fastening.



USER MANUAL

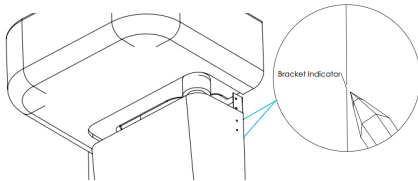
SAN9014.2 / SAN9012 BASIN SHROUD – MOUNTING INSTRUCTIONS



Item No.	Description
1.	Wall Bracket
2.	Shroud
3.	Shroud Screws
4.	Wall Plugs and Mounting Screws

Step 1. Place the shroud under the basin inside the recess against the wall.

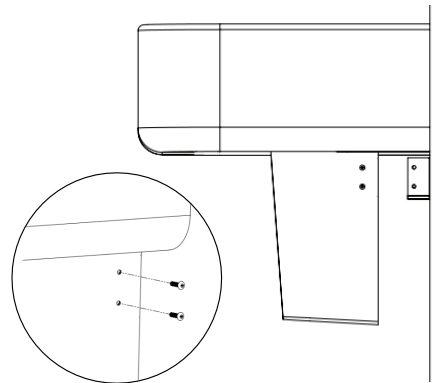
Step 2. On the left and right side of the shroud, using the bracket indicator, mark the wall.



Step 3. Remove the shroud and place the wall bracket on the marked position spot and drill the fixing holes.

Step 4. Using the wall plugs provided (4) fasten the bracket (1) to the wall.

Step 5. Slide the shroud over the bracket and fasten with shroud screws (3) provided.*



*Noggin is required for shroud installation.

Important Information

Shroud is to be mounted inside the recess underneath the basin.

Troubleshooting

Problem	Cause	How to Fix
Not sure which basin to use and where to use	<ul style="list-style-type: none"> Basin is too big or too small 	<ul style="list-style-type: none"> SAN560 basin is generally used for a type B CLINICAL in Australasian facilities guidelines SAN610 basin is recommended for the type A CLINICAL in Australasian facilities guidelines SAN715 is generally use in ensuites
Can I use these basins for disabled	<ul style="list-style-type: none"> Accessible bathrooms 	<ul style="list-style-type: none"> Yes, all the SAN560, SAN610, SAN715 comply
The basin is coming off the wall	<ul style="list-style-type: none"> Screws coming loose 	<ul style="list-style-type: none"> Have you installed and secured a back board in the wall to screw the basin into, this is essential
How high should I mount the basin on the wall	<ul style="list-style-type: none"> Its currently too low 	<ul style="list-style-type: none"> Refer to the Australasian facilities guidelines for tap and basin height mounting
Basin is not square	<ul style="list-style-type: none"> On angle 	<ul style="list-style-type: none"> Did you level the basin before securing it to the back board support using the screws provided
Basin waste	<ul style="list-style-type: none"> I installed a 35mm waste 	<ul style="list-style-type: none"> STERISAN® is designed to use a GENTEC Waste and it must be 40mm, we do not recommend other brand waste to be incorporated with our basins
Can I use a plastic waste trap and brass bottle trap	<ul style="list-style-type: none"> Biofilm 	<ul style="list-style-type: none"> We recommend the use of a stainless P trap in health facilities We also recommend the use of a stainless steel bottle traps

USER MANUAL

Cleaning & Maintenance

To minimise downtime and maximise the functional life of the product, GENTEC recommends servicing your product at least every 12 months, under heavy use may need to be checked and serviced more often.

GENERAL CARE INSTRUCTIONS

- **Pre-test:** Before applying any cleaner, test it on a small, inconspicuous area to ensure it doesn't cause damage.
- **Avoid soaking:** Do not let cleaning solutions sit on surfaces.
- **Rinse & dry immediately:** After cleaning, rinse surfaces immediately with water and dry thoroughly to prevent residue buildup.
- **Use gentle tools & materials:** Always clean with a soft, damp sponge or cloth. Avoid using abrasive tools and materials like brushes, scouring pads, strong acids or bleaches.

Tips: Daily Cleaning- Regular care and attention will ensure the longevity of your GENTEC sanitary ware products. Eliminate dirt and grime by wiping surfaces with a soft, damp soapy sponge or cloth, then rinse with water.

Note: Cleaning results can vary based on water hardness, temperature, and the condition of the product. GENTEC does not guarantee the effectiveness of any specific cleaning formula.

CLEANING BASINS

- Use a soft cloth and clean the surface with a mild household detergent or warm soapy water.
- After each use, rinse the sink and dry it with a soft cloth.
- Avoid using abrasive cleaners as these will damage the surface.

Responsibly Sourced



Reduce Carbon Footprint

GENTEC is rejuvenating the product- no power, less maintenance and longer life.

Rejuvenation Program

To learn more about the rejuvenation program, please contact our customer service at info@gentecaustralia.com.au for more information.

Ethically and Environmentally Sourced

Please refer to GENTEC Business Ethics & Ethical Sourcing Policy at <https://gentecaustralia.com.au/terms-and-conditions/>



A: Unit 6, 20-28 Ricketty St,
Mascot, Sydney, NSW 2020

E: info@gentecaustralia.com.au

P: +612 9319 4422

F: +612 8088 7635

Gentec products come with a Manufacturer's Warranty. To ensure the validity of this warranty, Gentec products must be installed following the provided installation instructions and adhering to AS 3500, NCC Volume Three, relevant Australian Standards, and any local authority requirements applicable to the product. Additionally, water and electrical supply conditions must meet the appropriate national and/or state standards. Non-compliance with these provisions may void the warranty and impact product performance.

Note: The information provided is only a guide, actual product may differ. The information here should not be relied on without clarification with Gentec. Gentec reserves the right to make design changes at any time without notification.

*Subject to terms and conditions. For detailed warranty information, installation compliance, maintenance and cleaning guidelines, and other relevant details, please visit <https://gentecaustralia.com.au>

gentecaustralia.com.au