

ECOSAFE PRODUCT SPECIFICATION CATALOGUE







ABOUT GENTEC

At GENTEC, we focus on partnering with plumbing and building industries to develop and deliver innovative and compliant technical plumbing and building solutions for use within the healthcare, hospitality, commercial, educational and industrial sectors. We are an ISO9001 Quality Certified company. We distribute our commercial tapware, sanitaryware, water temperature control, building management, emergency shower and accessible design performance solutions both in Australia and internationally.

Our highly trained and committed team offers a superior support network that enables us to deliver the very best solutions in a highly efficient and responsive manner. GENTEC embraces and promotes a strong family culture where personal growth and development is nurtured and valued.

Our purpose-built design solutions encompass measurable whole of life cost benefits that enable operational savings critical in today's built environment.



AS 4775:2007
License No. AMI 74767

Note: The information provided is only a guide, actual product may differ. The information here should not be relied on without clarification with Gentec. Gentec reserves the right to make design changes at any time without notification.

*Subject to terms and conditions, available at <https://gentecaustralia.com.au/terms-and-conditions/>

Disclaimer: Stainless Steel Grades 304 is manufactured with ZERO Lead.

PRODUCT SOLUTIONS FOR ALL



Designed to Suit Your Needs

GENTEC products have been specially designed for target markets within the commercial industry. These markets have been chosen, so the ranges complement each other and the users can find complete solutions within the GENTEC Range.

Healthcare Risk Prevention Solutions

Hospitals
Aged Care
Medical Clinics
Research Facilities
Accessible Facilities



Our extensive experience and know-how enable us to offer a comprehensive suite of products and solutions for Health and Aged Care applications. We work closely with all the key stakeholders in the health care sector, which gives us a thorough understanding of the critical elements needed to mitigate cross infection and microbial control.

Commercially Fit-for-purpose Solutions

Hotels
Education
Office Buildings
Shopping Centres
Sporting Facilities



High-traffic public facilities demand fit-for-purpose vandal resistant solutions that continue to perform day in and day out with minimal downtime. At GENTEC, understanding the demanding need for safe, effective solutions with designs and technology that embody a strong service life is at the core of our offerings. Water and energy efficiency is additionally combined into solutions that are fit for today's increasing hygiene demands within commercial facilities.

Hospitality Commercial Products Solutions

Restaurants
Hotels & Clubs
Sporting Facilities
Commercial Kitchens



GENTEC's functional and comprehensive range of solutions for hospitality and food preparation applications have been designed and manufactured for those that demand premium quality fitout of their facilities. Hygiene and performance are critical within this space. At GENTEC, our fit-for-purpose solutions from pre-rinse sprays, touch-free outlets through to water temperature control for safe and hygienic hand washing mesh perfectly together along with superior service life.

Professional & School Laboratory Solutions

Educational Facilities
Mining
Universities
Laboratories
Medical Facilities



Our extensive GENTEC product range offers a variety of option to suit any specific application you may require. The DURALAB range includes bench, pendant or wall systems with services ranging from water to any gas or dry services. This range is complimented by our ECOSAFE safety shower range to provide a complete solution for any scientific scenario.

Health & Safety Solutions for Industrial Applications

Mining
Refineries
Laboratories
Manufacturing
Chemical Plants



Workplace Health and Safety is critical in any workplace. Whilst mitigating risks through the application of sound procedures and processes, many workplaces require the additional use of first response equipment such as emergency showers and eyewash. At GENTEC, our fit-for-purpose compliant solutions are perfectly suited for commercial, industrial, and mining applications that mandate such products for the protection of their workforce who may be exposed to hazardous materials during their day-to-day activities.

Corrections/ Mental Health Solutions

Hospitals
Aged Care Facilities
Corrective Facilities
Police Stations
Public Facilities



We have a range of robust products for use at Corrections/ Mental Health facilities. These products provide the highest level of security with the use of vandal resistant and anti-ligature features. These are easy to use and clean, while providing water and energy savings.



Cyclonic shower with self-cleaning head

ECOSAFE - YOUR FIT-FOR-PURPOSE COMPLIANT SOLUTION

ECOSAFE offers a range of Emergency Showers and Eyewash equipment that are essential for a safe work environment. These products comply with statutory WHS requirements and set high standards in technology to ensure workplace safety.



COMBINATION SAFETY SHOWER WITH CYCLONIC SHOWERHEAD AND EYEWASH

Technical Information

- **Material :**
 - Zero Lead Stainless Steel 304
 - Sign : Plastic
- **Cartridge :** Ball Valve
- **Cartridge Size :** 15mm / 25mm
- **Inlet :** 32mm Female
- **Flow Style :** Cyclonic & Aerated Eyewash Flow
- **Working Pressures :** 210kPa-500kPa (Recommended : 350kPa)
- **Working Temperatures :** 16°C - 38°C
- **Finish / Colour :** Polished
- **Eyewash Flow Rate :** ≥11.4 lpm

Product Features

- Signs & Test Tags included with product
- Temperature relief valves available for temperatures outside of 16°C - 38°C
- Cyclonic shower head design has a spray pattern with a minimum diameter of 50.8cm for complete coverage
- Water distribution pattern in shower head and the flow holes are designed to prevent any lime build up or restrictions
- Audio & Visual Alarms Available with Connection to BMS Systems
- Recommended for Science, Education and Industrial projects



SAFETY SHOWER WITH CYCLONIC SHOWERHEAD

Technical Information

- **Material :**
 - Zero Lead Stainless Steel 304
 - Sign : Plastic
- **Cartridge :** Ball Valve
- **Cartridge Size :** 25mm
- **Inlet :**
 - 25mm Male: ECO2000EXP & ECO2010EXP
 - 32mm Female: ECO2020EXP
- **Outlet :**
 - Showerhead: ECO2020EXP
- **Flow Style :** Cyclonic
- **Working Pressures :** 210kPa-500kPa (Recommended : 350kPa)
- **Working Temperatures :** 16°C - 38°C
- **Finish / Colour :** Polished

Product Features

- Signs & Test Tags included with product
- Cyclonic shower head design has a spray pattern with a minimum diameter of 50.8cm for complete coverage
- Temperature relief valves available for temperatures outside of 16°C - 38°C
- Water distribution pattern in shower head and the flow holes are designed to prevent any lime build up or restrictions
- Audio & Visual Alarms Available with Connection to BMS Systems
- Recommended for Science, Education and Industrial projects

*Product information is subject to disclaimer within this catalogue.

ECOSAFE



EYEWASH

Technical Information

- Material :
 - Zero Lead Stainless Steel 304
 - Sign: Plastic
- Cartridge : Ball Valve
- Cartridge Size : 15mm
- Inlet : 15mm Female
- Flow Style : Aerated Flow
- Working Pressures : 210kPa-500kPa (Recommended : 350kPa)
- Working Temperatures : 16°C - 38°C
- Finish / Colour : Polished
- Eyewash Flow Rate: ≥ 11.4 lpm

Product Features

- Signs & Test Tags included with product
- Temperature relief valves available for temperatures outside of 16°C - 38°C
- Audio & Visual Alarms Available with Connection to BMS Systems
- Recommended for Science, Education and Industrial projects



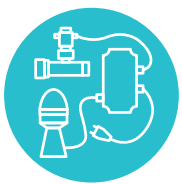
SCALD PROTECTION VALVE WITH THERMAL ACTUATION

Technical Information

- Material : Zero Lead Stainless Steel 304
- Inlet : 15mm Male
- Working Pressures : 210kPa-500kPa (Recommended : 350kPa)
- Working Temperatures : 37°C-80°C
- Finish / Colour : Polished

Product Features

- Thermal actuated valve continuously senses the water temperature and automatically bleeds the shower and/or eyewash systems until the extreme temperature is eliminated and back to the full close temperature
- Operation without external power supply



AUDIOVISUAL ALARM TO SUIT EMERGENCY EYEWASH / SHOWER WITH FLASHING BEACON AND FLOW SWITCH

Technical Information

- Material : Plastic/ Stainless Steel
- Inlet : 25mm Male
- Working Pressures : 210kPa-500kPa (Recommended : 350kPa)
- Working Temperatures : 5°C - 50°C

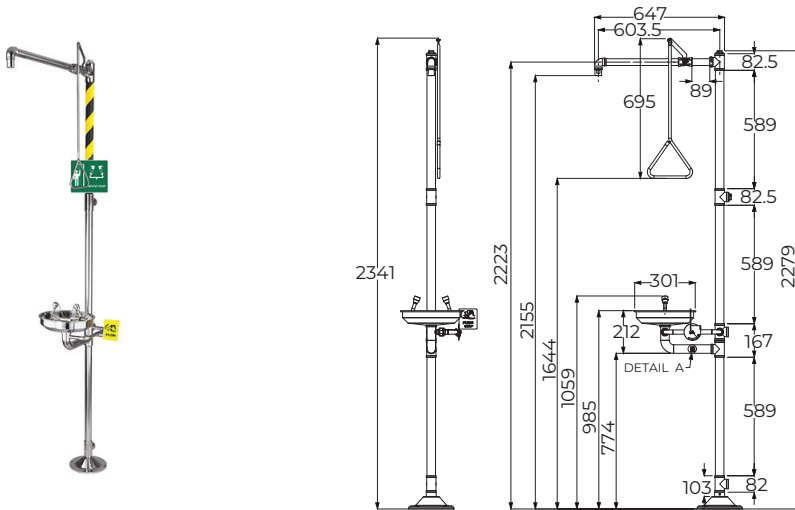
Product Features

- Orange flashing light, 110 flash/min
- Sound alert 92db
- BMS Connectivity
- IP43 Protection (220-240 VAC/ Shuko Connection)
- Recommended for Defence, Mining and remote locations

ECO1000EXP

Combination Safety Shower/Eyewash

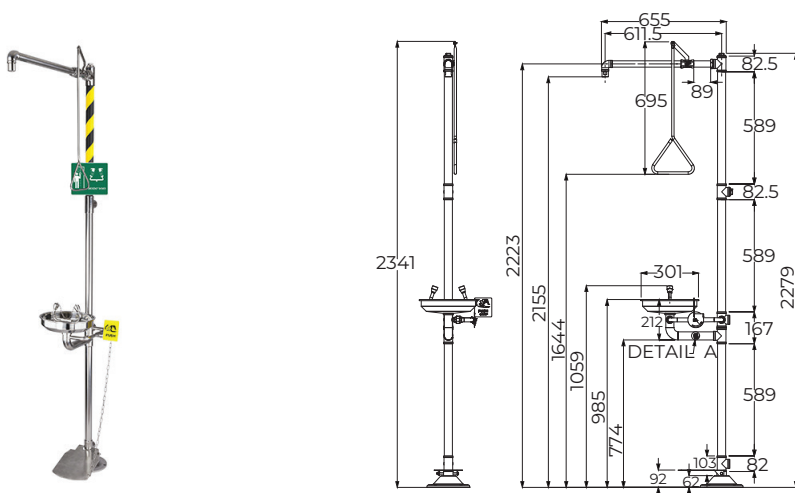
Zero Lead Stainless Steel 304 Floor Mounted Combination Safety Shower / Eyewash



ECO1000FPEXP

Combination Safety Shower/Eyewash

Zero Lead Stainless Steel 304 Floor Mounted Combination Safety Shower / Eyewash w/ Foot Pedal



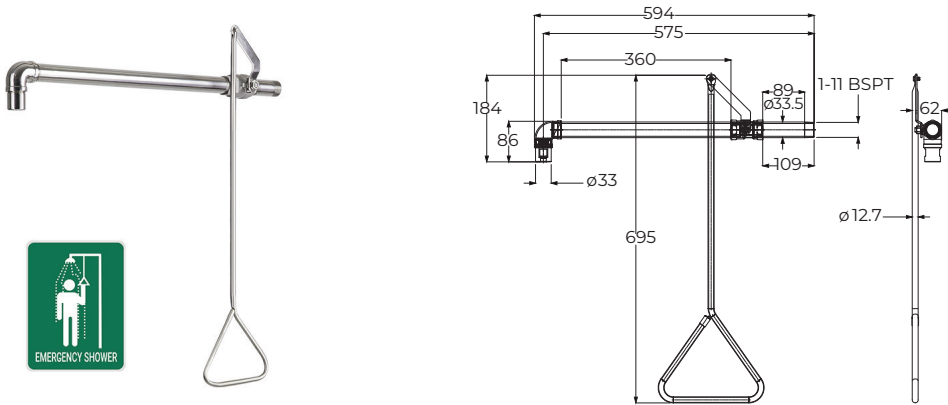
*Product information is subject to disclaimer within this catalogue.

ECOSAFE

ECO2000EXP

Safety Shower

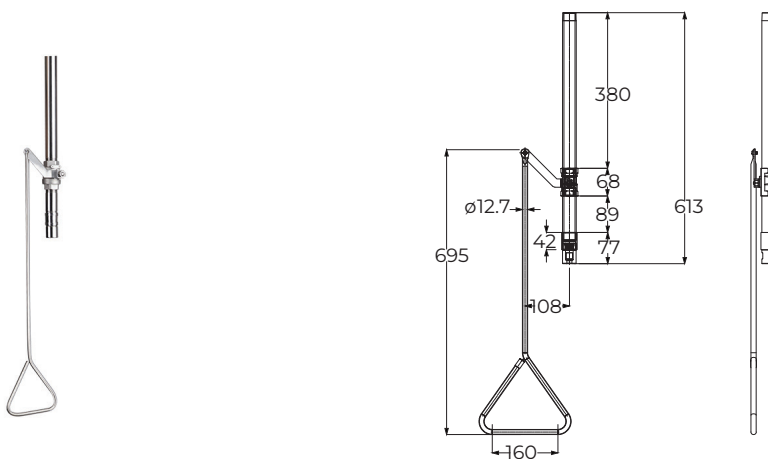
Zero Lead Stainless Steel 304 Wall Mounted Safety Shower



ECO2010EXP

Safety Shower

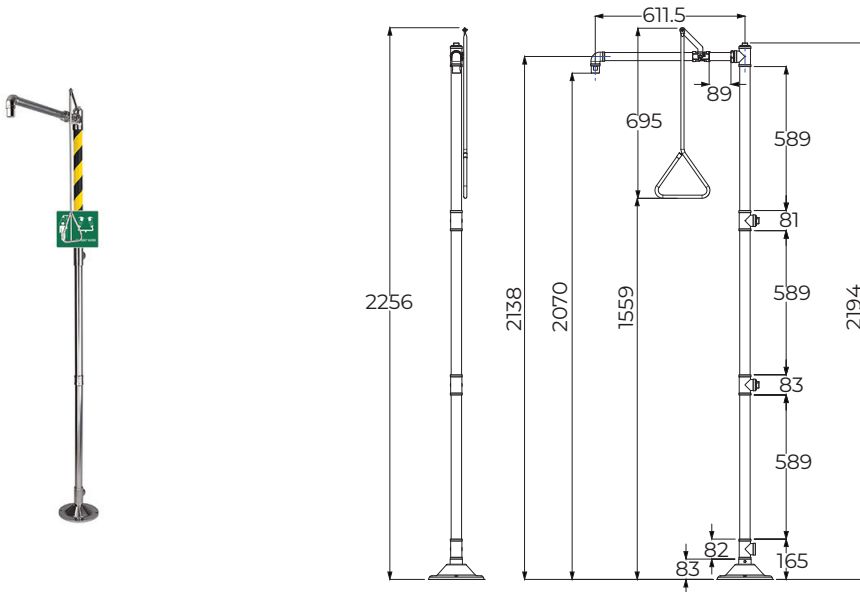
Zero Lead Stainless Steel 304 Ceiling Mounted Safety Shower



ECO2020EXP

Safety Shower

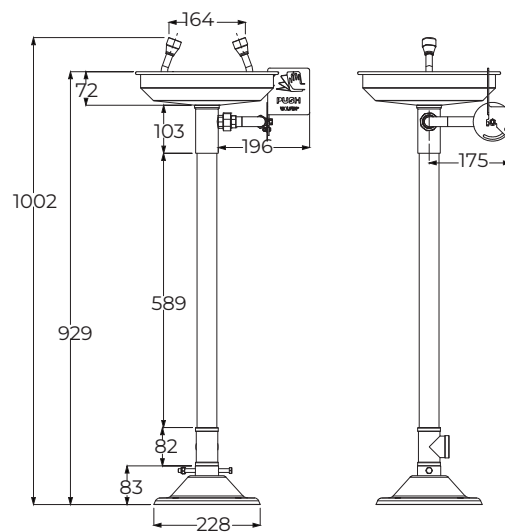
Zero Lead Stainless Steel 304 Floor Mounted Showerhead Safety Shower



ECO4000EXP

Eyewash

Zero Lead Stainless Steel 304 Floor Mounted Eyewash



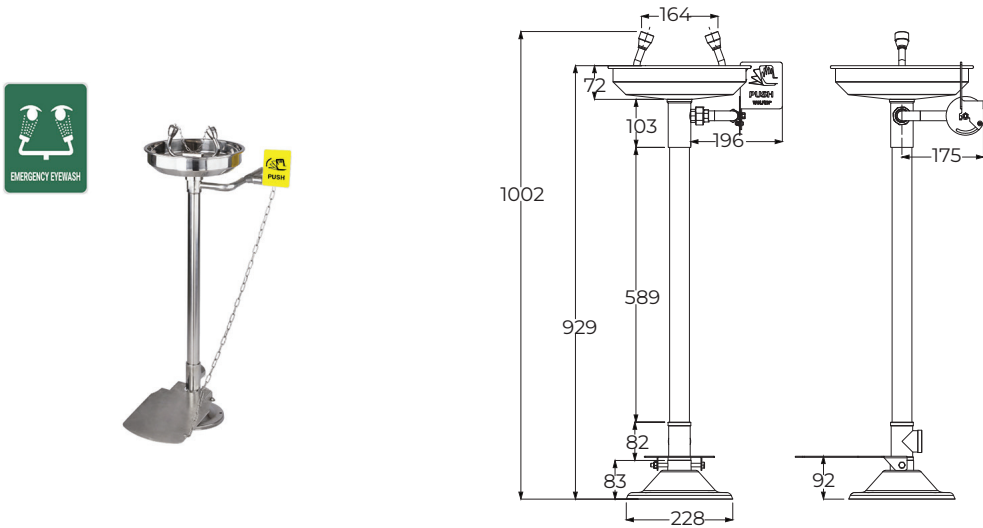
*Product information is subject to disclaimer within this catalogue.

ECOSAFE

ECO4000FPEXP

Eyewash

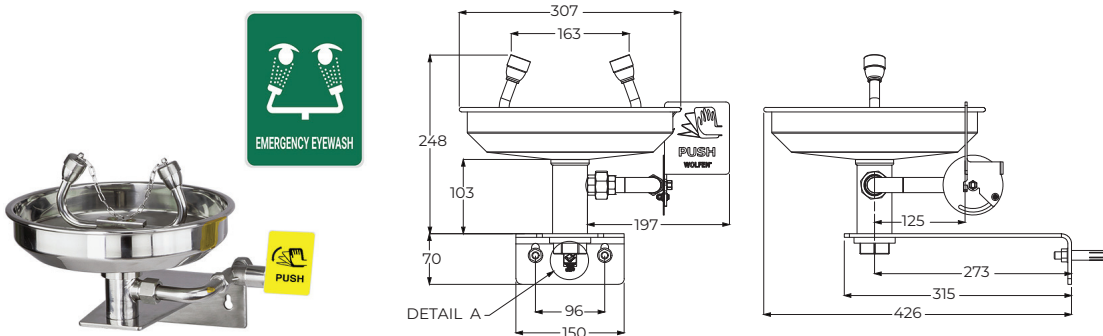
Zero Lead Stainless Steel 304 Floor Mounted Eyewash w/ & Foot Pedal



ECO4010EXP

Eyewash

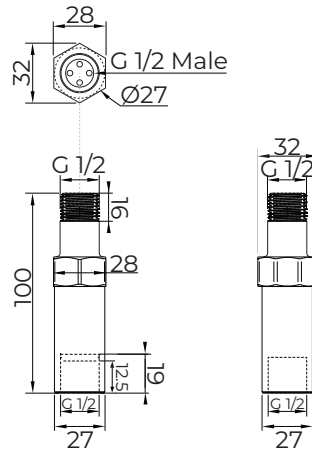
Zero Lead Stainless Steel 304 Wall Mounted Eyewash



ECO5012SS

Scald Protection Valve

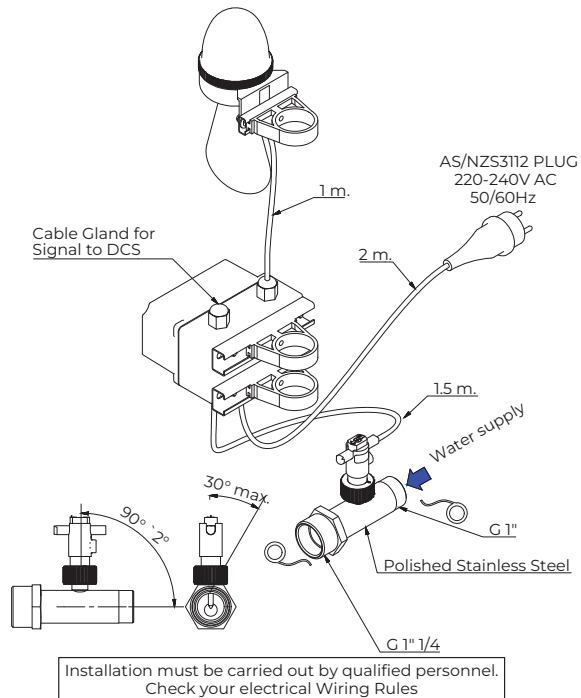
Zero Lead Stainless Steel 304 Scald Protection Valve w/ Thermal Actuation



ECO5050

Audio Visual Alarm to Emergency Eyewash/Safety Shower

Plastic/ Stainless Steel Audio Visual Alarm to Emergency Eyewash / Safety Shower w/ Flashing Beacon and Flow Switch



Note: The information provided is only a guide, actual product may differ. The information here should not be relied on without clarification with Gentec. Gentec reserves the right to make design changes at any time without notification.

*Subject to terms and conditions, available at <https://gentecaustralia.com.au/terms-and-conditions/>

Disclaimer: Stainless Steel Grades 304 is manufactured with ZERO Lead.



Our Locations

AUSTRALIA

Head Office:

Sydney



Unit 6, 20-28 Ricketty Street,
Mascot, NSW 2020, Australia



T: +612 9319 4422
F: +612 8088 7635



info@gentecaustralia.com.au



gentecaustralia.com.au

Other Distribution Locations:

Victoria
South Australia
Queensland
Western Australia
Northern Territory
Tasmania

INTERNATIONAL

New Zealand

Pacific Islands

Fiji
Papua New Guinea

Asia Pacific

Singapore
Hong Kong
Malaysia

Middle East

United Arab Emirates

Europe

United Kingdom

Our Exclusive Distributor

