

USER MANUAL

JETFLO Lead Free DZR Brass Pre-Rinse Units

- **Hob Mounted Pre-Rinse Units-**
JETFLF1200, JETFLF1200C,
JETFLF4000, JETFLF6000, JETFLF9900
- **Wall Mounted Pre-Rinse Units-**
JETFLF3000, JETFLF3000W,
JETFLF5000, JETFLF5600
- **Hand Held Pre-Rinse Units-**
JETFLF7000, JETFLF7500
- **Trigger Spray** - JETFLF0050



gentcaustralia.com.au

USER MANUAL

Table of Contents

Scope of Use	2
Technical Information	3
Product Images & Technical Drawings	4
Exploded Drawings	10
Installation Steps	12
Cleaning & Maintenance	18
Spare Parts	19
Troubleshooting	20
Water Quality	22
Responsibly Sourced	22

Scope of Use

Installation of all products should adhere to the manufacturer's guidelines, as well as comply with PCA, AS/NZS3500 standards, and any other relevant regulatory provisions. This product range complies with the Lead Free requirements of the National Construction Code Volume Three.

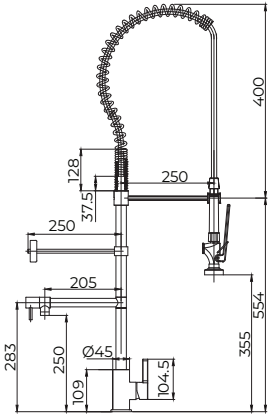
- **Installation:** Refer to the installation instructions included within this manual
- **Suitable for indoor use only**
- **Temperature recommendation:**
 - Maximum operating temperature 80°C
 - Minimum operating temperature 5°C
- **Mounting:** Bench, wall or in line installation

Technical Information

Material	Body: Lead Free Brass
Cartridge	<ul style="list-style-type: none"> • Ceramic Disc / Self Closing: JETFLF1200, JETFLF1200C, JETFLF3000, JETFLF3000W, JETFLF4000, JETFLF5000, JETFLF5600, JETFLF6000, JETFLF7000 & JETFLF9900 • Self Closing: JETFLF0050 & JETFLF7500
Cartridge Size	<ul style="list-style-type: none"> • 35mm: JETFLF1200 & JETFLF1200C • 15mm: JETFLF3000, JETFLF3000W, JETFLF4000, JETFLF5000, JETFLF5600, JETFLF6000, JETFLF9900 • N/A: JETFLF0050, JETFLF7000 & JETFLF7500
Inlet	<ul style="list-style-type: none"> • 15 mm Female: JETFLF1200, JETFLF1200C, JETFLF5000, JETFLF5600, JETFLF6000 & JETFLF7500 • 15mm: JETFLF3000, JETFLF3000W & JETFLF4000 • 15mm Male: JETFLF9900, JETFLF7000 & JETFLF0050
Flow Style	<ul style="list-style-type: none"> • Blade Spray / Laminar Flow: Pre-Rinse Units • Blade Spray: JETFLF0050
Working Pressure	150kPa - 500kPa
Manufacturers Recommended Pressure	350 kPa
Working Temperature	5°C - 80°C
Finish	Body: Chrome Plated
Servicing	Preventative Maintenance

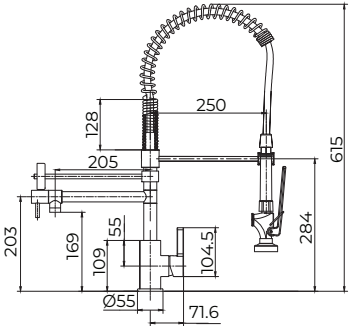
USER MANUAL

Product Images & Technical Drawings



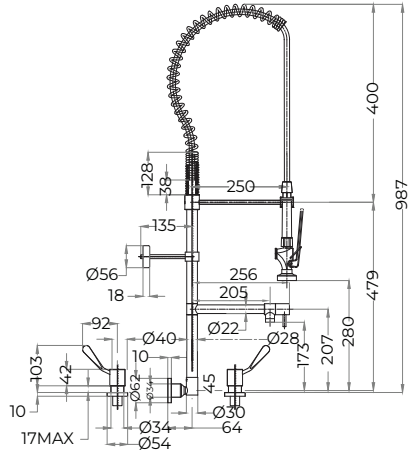
JETFLF1200

Lead Free DZR Brass Hob Mounted Pre-Rinse Unit w/ Pot Filler, Mixer

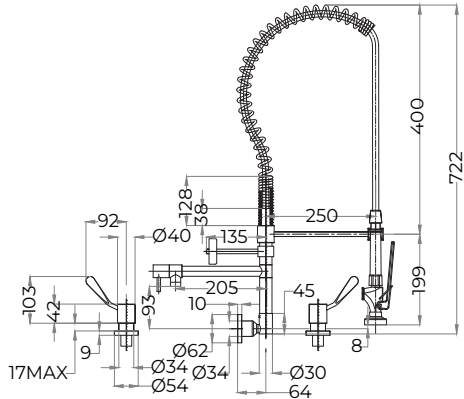


JETFLF1200C

Lead Free DZR Brass Hob Mounted Pre-Rinse Unit w/ Pot Filler - Compact

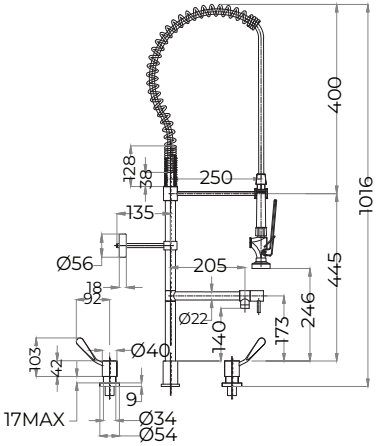

JETFLF3000

Lead Free DZR Brass Wall Mounted Pre-Rinse Unit w/ Pot Filler, Recess Adaptors and 100mm Lever Handles


JETFLF3000W

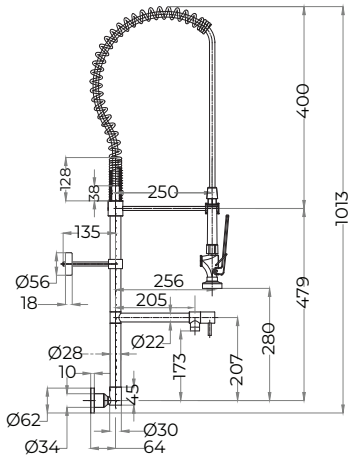
Lead Free DZR Brass Wall Mounted Pre-Rinse Unit w/ Pot Filler, Recess Adaptors and 100mm Lever Handles - Woolworths Model

USER MANUAL



JETFLF4000

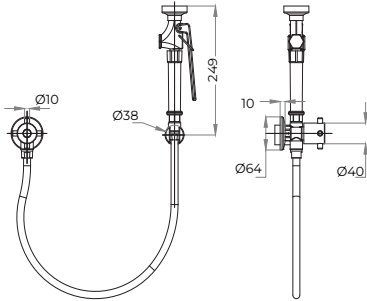
Lead Free DZR Brass Hob Mounted Pre-Rinse Unit w/ Pot Filler, Control Valves and 100mm Lever Handles



JETFLF5000

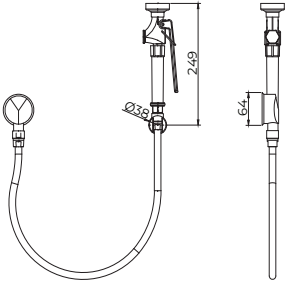
Lead Free DZR Brass Wall Mounted Pre-Rinse Unit w/ Pot Filler

USER MANUAL



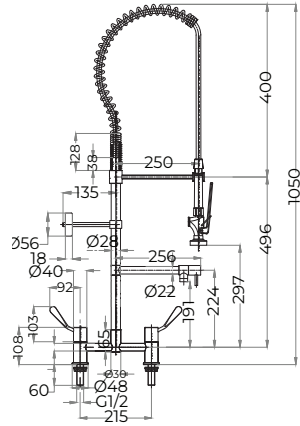
JETFLF7000

Lead Free DZR Brass Wall Mounted Pre-Rinse Unit w/ Spray Gun. 1m Hose and Cistern Tap



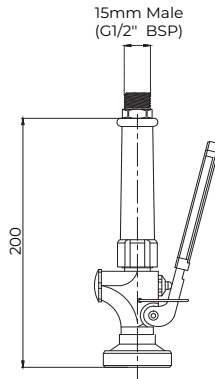
JETFLF7500

Lead Free DZR Brass Wall Mounted Pre-Rinse Unit w/ Spray Gun. 1m Hose and Bracket



JETFLF9900

Lead Free DZR Brass Hob Mounted Pre-Rinse Unit w/ Pro Filler, Exposed Mixing Set



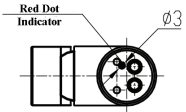
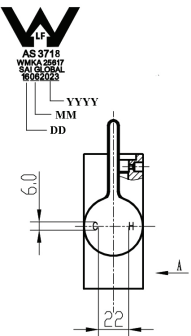
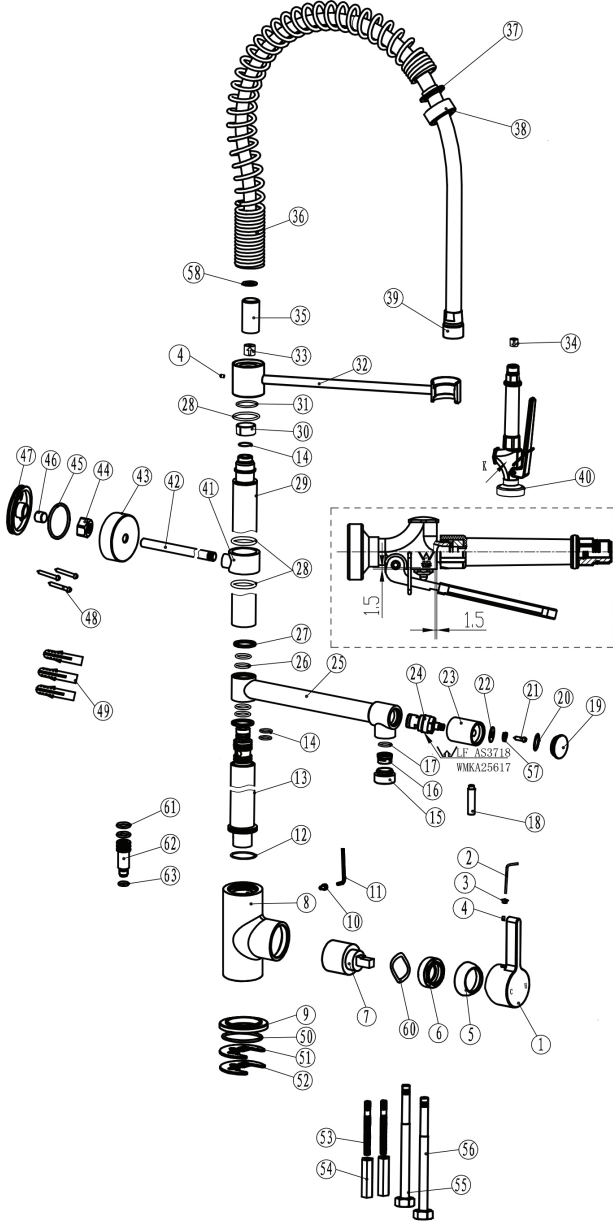
JETFLF0050

Lead Free DZR Brass Trigger Spray w/ Stainless Steel Outlet to Suit Pre-rinse Unit

Note: Dimensions are provided as a guide and are subject to manufacturing tolerances.

USER MANUAL

Exploded Drawings



No.	Code	Description	Qty
01	JETLF0074W	Mixer handle	1
02		Allen key	1
03		Handle porlug	1
04		M5 grub screw	1
05		Decorative cap	1
06		Lock nut	1
07	JETF9001	Mixer cartridge	1
08	JETFLF0082	Mixer body	1
09		Mixer flange and seat	1
10		M4 x 8 screw	1
11		Allen key	1
12		POM ring	1
13		Riser body1	1
14		O-Ring	3
15	JETFLF9006	Aerator housing	1
16		Aerator	1
17		Seal Washer	1
18	JETF0065	Pot filler handle pin	1
19		Pot filler handle cap	1
20		O-Ring	1
21		M4 x 10 screw	1
22		Flat washer	1
23		Pot filler handle body	1
57		Circlip	1
24	JETFLF0064	Pot filler spindle	1
25		Pot filler outlet	1
26		O-Ring	4
27		Ring	2
28		O-Ring	3
29		Riser body2	1
30		Friction ring	1
31		O-Ring	1
32	JETF0061	Trigger spray holder	1

No.	Code	Description	Qty
33		Check Valve	1
34		DN6 check valve	1
35		Check valve sleeve	1
36	GPJ0060	Spring	1
37		Spring cap washer	1
38		Spring cap	1
39	JETFLF0070	Hose	1
40	JETFLF0050W	Trigger spray	1
41		Wall bracket sleeve	1
42		Wall bracket rod	1
43	JETF0063	Wall bracket cover	1
44		Lock nut	1
45		O-Ring	1
46		Brass olive	1
47		Fixing plate	1
48		Self-tapping screws	3
49		Wall plug	3
50	JETF0066	O-Ring	1
51		Fixing washer	1
52		Fixing plate	1
53		Fixing stud	2
54		Fixing nut	2
55	JETFLF9002	Pex hose Hot	1
56		Pex hose Cold	1
58	JETF9007	Red fibre washer	1
60	JETF9009	SS spring washer	1
61		O-Ring	2
62		Riser-mixer connection	1
63		O-Ring	1

USER MANUAL

Installation Steps

BEFORE THE SET UP

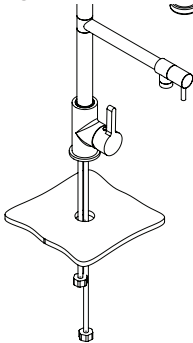
- The mixer must be installed to the requirements of AS/ NZS 3500 by a qualified and licenced plumber.
- Your mixer comes to you already factory assembled and tested.
- We do not recommend the dismantling of any internal parts of the mixer. The mixers are factory tested and sealed to give the best performance.
- Please flush thoroughly prior to connecting the new mixer.
- All mixer should be installed with isolating stop cocks.
- The wall support Bar should be installed as high as possible. This wall support bar should be cut to fit the desired distance to the wall.
- The side bracket should also be cut down to the desired length if it's too long.
- See the exploded diagram in the page 10 and 11 before installation.

Warning

- Misuse of the product is not covered by warranty.
- Pressure exceeding 500kPa will void warranty.

JETFLF1200, JETFLF1200C INSTALLATION STEPS

- Step 1. Place the base O-Ring on the underside of the mixer body.
- Step 2. Screw in the hot and cold flexible connectors to the mixer body.
- Step 3. Place the mixer unit over the prepunched tap hole (35mm) in the countertop. Feed the flexible connectors through it first. Mixer must be installed to the right of the mixer body.
- Step 4. Slide on the U-shaped washer then the U-shaped fixing plate.
- Step 5. Screw on the hex nuts until the mixer base is firmly fixed to the sink. Tighten with a socket set or tube spanner.



JETFLF5600 INSTALLATION STEPS

- | | |
|---|---|
| <p>Step 1. Apply adequate thread tape and screw on the conical wall attachments to the wall fitting, adjust centre distance (215) to align with the exposed breach set.</p> | <p>Step 5. Attach the riser to the exposed breach and carefully align the grub screw and tighten.</p> |
| <p>Step 2. Slide on cover flange and attach exposed breach set onto the wall attachments, (slight adjustments maybe required).</p> | <p>Step 6. Refer to wall bracket installation on page 14.</p> |
| <p>Step 3. Screw and tighten the breach set.</p> | <p>Step 7. Refer to spring and trigger attachment on page 15.</p> |
| <p>Step 4. Attach the handles and align the spindle to suit the lever operation as per requirement.</p> | <p>Step 8. Turn on water supply check for leaks and verify operation</p> |
| | <p>Step 9. Screw on washers and screws to the handle and place the appropriate colour indicator into the handles.</p> |

JETFLF9900 INSTALLATION STEPS

- | | |
|--|---|
| <p>Step 1. Ensure hob tap hole distance (215).</p> | <p>Step 5. Refer to wall bracket installation on page 14.</p> |
| <p>Step 2. Remove washers and back nut from tap set and place the tap set into the hob then from underneath attach the washers and back nut and tighten.</p> | <p>Step 6. Refer to spring and trigger attachment on page 15.</p> |
| <p>Note: Ensure the cover flange is still attached to the tap set.</p> | <p>Step 7. Attach hot and cold water supply, turn on water supply check for leaks and verify operation.</p> |
| <p>Step 3. Attach the handles and align the spindle to suit the lever operation as per requirement.</p> | <p>Step 8. Screw on washers and screws to the handle and place the appropriate colour indicator into the handles.</p> |
| <p>Step 4. Attach the riser to the tap set and carefully align the grub screw and tighten.</p> | |

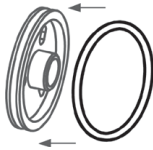
USER MANUAL

WALL BRACKET INSTALLATION STEPS FOR ALL UNITS

The Wall Bracket installation is an essential part for the correct operation and use of the pre rinse unit.

Step 1. Measure and cut the wall support bar to a length with a 2 to 5mm gap from the wall.

Step 2. Fit the O-Ring to the groove on the fixing wall plate.



Step 3. Slide on the chrome cover flange, nut, brass olive & wall fixing plate onto the wall support bar.

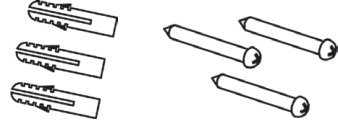
Step 4. Swing the wall support bar into position and mark the three holes for drilling into the wall.

Step 5. Swing the wall support bar to the left or right to enable the three holes to be drilled.

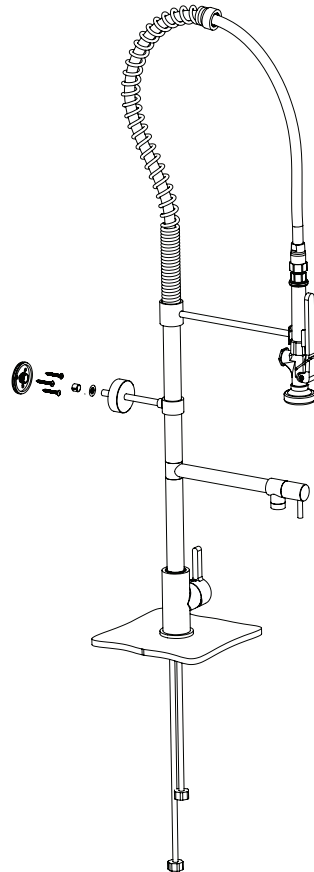
Step 6. Swing the wall support bar back into position, line up the holes and screw the fixing plate back to the wall. Tighten the brass nut and olive, ensuring a firm and solid installation. Slide the chrome cover plate over the wall plate.

Note: For a stainless steel splashback and/ or cool room panel wall, ensure the fixing method used results in a solid fixing.

For a masonry wall use the wall anchors provided with screws.



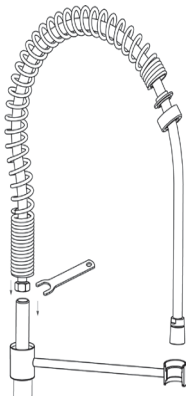
For a timber backed wall use the screws provided.



SPRING AND TRIGGER SPRAY INSTALLATION STEPS FOR ALL UNITS

Pre-Rinse Spring & Trigger Spray:

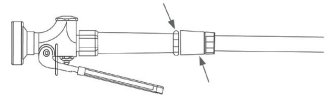
- Step 1. Fit the flat washer into the top of the Riser to ensure a water tight seal.
- Step 2. Slide the spring to expose the male connecting thread.



- Step 3. Using a correct spanner, screw the male thread of the flexible hose into the top of the riser. Tighten up firmly but do not overtighten. **Support the weight of the hose and spring while tightening to prevent cross threading and kinking of the hose.**
- Step 4. Slide the spring back over the end of the hose until it sits on top of the Riser.
- Step 5. Apply Teflon tape or loxal to the male thread of the trigger spray.

- Step 6. Screw the Trigger Spray Unit to the Hose, tighten firmly using a spanner on the flat section of the Nut.

- Step 7. Tighten using flats on trigger spray and flats on the Hose.



- Step 8. Connect the hot and cold flexible connectors to the isolation valves.
- Step 9. Turn on water supply and check for leaks.
- Step 10. Activate mixer handle, pot filler handle and spray gun to verify operation.

Trigger Spray Fixing Methods

Using Teflon Tape

- Evenly apply adequate Teflon tape to the male thread of the trigger spray.
- Screw hose connection on to trigger spray then tighten firmly against O-Ring supplied on trigger.

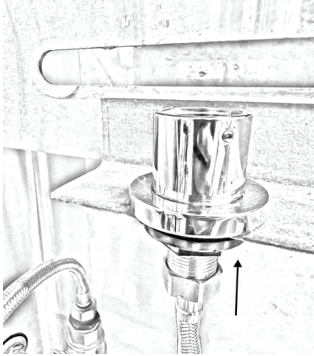
Using Loxal

- Insert the white teflon washer into the hose adaptor.
- Apply Loxal to the male thread of the trigger spray.
- Screw hose connection on to trigger spray then tighten firmly against O-Ring. Test to ensure there are no leaks.

USER MANUAL

JETFLF4000, JETFLF6000 INSTALLATION STEPS

- Step 1. Place the base hob unit on the bench.



NOTE: - The slight disalignment of the grub screw may result in water leakage.

- The body is made to slide inside the base hob unit in such a way that the grub screw on the hob unit aligns with the hole on the body.

- Step 4. Tighten the grub screw into the hole on the body.

- Step 5. Follow the instructions to fix the wall bracket and spring given on pages 14 and 15 respectively.

- Step 2. Connect the tail to the bottom of the base hob unit. Tighten the tail.

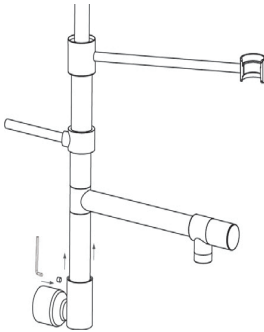
- Step 3. Slide the body tightly onto the base hob unit.



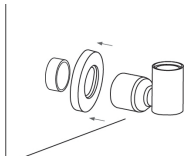
JETFLF3000, JETFLF3000W, JETFLF5000, JETFLF5600 INSTALLATION STEPS

Pre-Rinse Arm and Pot Filler Installation:

- Step 1. Flush the line thoroughly before connecting tap fittings.
- Step 2. Place the flange over the wall base arm.
- Step 3. Unscrew the grub screw from the wall base to separate the main body.



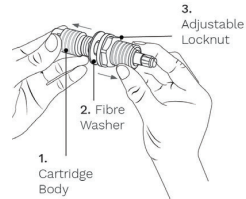
- Step 4. Apply adequate thread tape and screw the wall base arm into the 1/2" thread until the unit is tight. Make sure the wall base is fitted with plumb facing up. Push the flange to cover the thread.



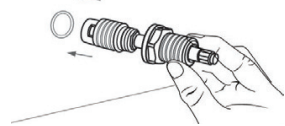
- Step 5. Insert the pre rinse body into the wall base arm and tighten the Grub Screw back in place.

Wall Handles Installation:

- Step 1. Unscrew the cover flange from the main body of the cartridge. Also, unscrew the adjustable locknut from the Cartridge body. Ensure the fibre washer is in place.

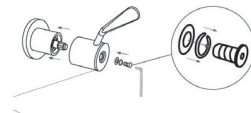


- Step 2. Screw the cartridge body into the thread until it touches the seat.

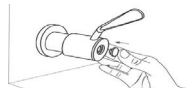


- Step 3. Screw the adjustable locknut until it reaches the breech (to prevent the cartridge being overtightened). Replace the cover flange.

- Step 4. Tighten the handles in the desired position with the provided Allen key and screws. Insert the washers as shown in drawing.



- Step 5. Insert the plastic indicator for hot, cold or warm.



USER MANUAL

Cleaning & Maintenance

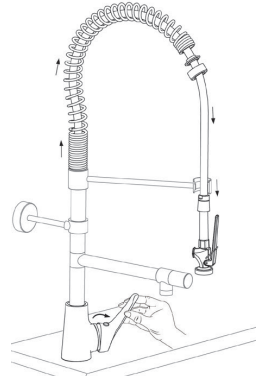
To Ensure Product's Durability:

- The product must be serviced a minimum of once a year to avoid any failure. The service timeline mentioned is based on the assumption of normal use. More frequent service may be needed for hard usages.
- To ensure the product's durability, it is important to perform regular cleaning to the nozzle to avoid build up of grease, dust or any debris.
- Once the hose or trigger spray is unscrewed it should need a replacement for the fibre washer.
- When not in use, the mixer must be turned off at the mixer cartridge so the unit is not under main pressure when unsupervised.
- Soft moist cloth is recommended for cleaning the product.
- Abrasives, hard clothes, strong acids, and bleaches must be avoided when cleaning all GENTEC products.
- The product must be used at least once every week for proper functioning.

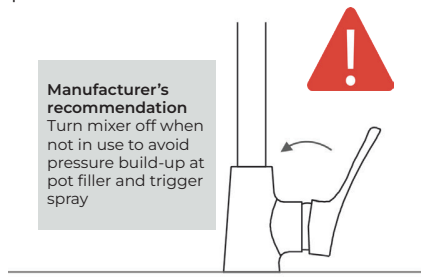
Best Practices for Proper Functioning of the Product

- Installation must be done by a certified and licenced plumber and adhere to AS/NZS3500 and manufacturer's recommendations.
- Turn off mixer base when not in use to prevent build up of hot water and pressure internally.
- Disassembling riser from mixer base during installation increases the likelihood of leaks.
- Trigger spray must be used in an updown or sideways motion (following the motion of the spring and swivel hose). Bending/ Kinking the hose will cause the stainless-steel braiding to fray and void warranty.

- Lines must be flushed before installation. Ensure the wall bracket is firmly attached to the wall to reduce strain on the riser and mixer fixings.
- Reduce strain on the product by installing a pressure limiting valve.



- Over tightening and cracking product fixtures is not covered by warranty.
- The instruction sticker supplied with the pre-rinse unit must be displayed in accordance with manufacturer's recommendation.
- Failure to comply to all the above voids the warranty because of misuse of the product.



Spare Parts

There are various spare parts stated below, which can be purchased from GENTEC when required. For more information, refer exploded drawing section in page 10 and 11.

Code	Spare Parts	Qty
JETF0050	Trigger Spray Gun	1
JETF0052	O-Ring Service kit for trigger spray gun	1
JETF0060	Spring	1
JETF0061	Bracket for spray gun	1
JETF0062	Support bracket	1
	O-Ring	1
	Wall Support bar	1
JETF0063	Bracket cover	1
	Lock nut	1
	O-Ring	1
	Brass Olive	1
	Fixing Plate	2
	Self Tapping Screw	3
JETF0064	Wall Plug	3
JETF0064	C-Disk Cartridge	1
JETF0065	Body	1
	Cap	1
JETF0066	O-Ring (1)	1
	Fixing Washer (1)	1
	Fixing plate (1)	1
	Fixing Nut (2)	2
JETF0068	O-Ring Kit for Pot Filler	1
JETF0070	Hose	1

Code	Spare Parts	Qty
JETF0074	Allen Key	1
	Grub Screw	1
	Hot/cold and warm indicators	3
	Handle	1
	Handle plug	1
JETF0082	Riser/Body	1
JETF9002	1 Hot / 1 Cold Flexible Braided Hose 400mm	1
JETF9005	Fibre Washer	1
JETF9006	O-Ring kit pot filler	1
	Aerator Housing	1
	Aerator	1
NGM9000	Cartridge for Hot and Cold	1
CL10025C CL10025H	Hot and Cold Indicators	1
	Screw	2
	Washer	2
	Handles	2
	Cartridge Flange	2
	Flange	2
	Cartridge hot/cold	2

USER MANUAL

Troubleshooting

Problem	Cause	How to Fix
Tap is not shutting off	<ul style="list-style-type: none">• Debris• Grease/ lubricants• High pressure	<ul style="list-style-type: none">• Have you flushed the water line for a minimum of 1 minute before connecting the water• Have you installed the strainer and flow controller if provided• If debris has gone through the cartridge this is more than likely to be the cause. If the ceramic disc is broken or damaged, then the cartridge must be replaced• Have you checked to make sure the pressure is to manufacturer's recommendations and in line with the plumbing code
Issue with water flow	<ul style="list-style-type: none">• Not enough water• Too much/ little water	<ul style="list-style-type: none">• Check for blockage in the inlet where the strainer is fitted or is the aerators blocked with debris• Is the isolating valve fully open on both hot and cold• Have got these in a bank, if so, is the inlet pipes been sized correctly• Has the laminar flow control been installed• High pressure exceeding the plumbing code will have an effect on the product and must not exceed 500kPa• Ensure the flexi hose is not kinked/ twisted
Not enough water	<ul style="list-style-type: none">• Taps installed in a bank or a trough	<ul style="list-style-type: none">• Ensure the main pipe size is sized correctly to ensure adequate water is able to service the taps installed in a bank or a trough
The tap is leaking	<ul style="list-style-type: none">• Debris	<ul style="list-style-type: none">• Have you flushed your water lines• If rubbish has gone through the cartridge, there is a high chance• Tighten cartridge lock nut
No water	<ul style="list-style-type: none">• Isolating valve is off	<ul style="list-style-type: none">• Ensure the Isolating valve is turned on

Problem	Cause	How to Fix
No water is coming out of the spray	<ul style="list-style-type: none"> Washer may be crushed during installation 	<ul style="list-style-type: none"> We recommend that you turn the mixer handle to the off position and dismantle the hose from the riser, check the sealing washer is not crushed, turn on the water slightly to make sure water is coming out. Then if so, repeat the install process, put the sealing washer flat then apply lock seal tape and fit again in position, and then check for leaks and or to make sure the water is now spraying out of the spray
Which side should I install the handle on	<ul style="list-style-type: none"> Left or middle 	<ul style="list-style-type: none"> It is highly recommended to install the handle on the right-hand side, indicator will be correct and the handle will not be in the way of pots and pans and will alleviate any damages to the cartridge
Hose is blown or leaking	<ul style="list-style-type: none"> Tap not turned off when not in use 	<ul style="list-style-type: none"> It is recommended, especially if pressure exceed manufacturer's recommendations and the plumbing code of Australia
Do I need to install the wall bracket	<ul style="list-style-type: none"> What would happen if I don't 	<ul style="list-style-type: none"> The weight bearing will affect the unit, it is very important to install the wall bracket at all times
Can I mount product through racks	<ul style="list-style-type: none"> What would happened if I do 	<ul style="list-style-type: none"> If the product is mounted through racks, then the risk of the user damage to the unit is high. The product must be clear of obstructions to avoid any damages to the product
How often do I need to service my tap	<ul style="list-style-type: none"> Prevent product failure 	<ul style="list-style-type: none"> Service and maintenance of the main operating parts is recommended as this will prolong the life of the product

USER MANUAL

Water Quality

Maximum chloride Cl- level Guidelines in plumbing systems

	Cold Water	Hot Water
Grade 304L	200	50
Grade 316L	1000	250

When materials may be used in either hot or cold water lines, the guidelines for hot water should be used.

Within these guidelines at ambient temperatures and provided the pH >~6, any negative effect to stainless steel will be unlikely.

Note: Chlorides in water - where the density of the solvent (water) is 1 (which it is to within 0.1% at ambient temperatures), then mg/L = ppm.

For brass products, please ensure the chlorine and chloramines levels are not more than 0.4 ppm.

Please ensure that the water quality supplied to the fixtures meets safe drinking standards to prevent potential staining of the product.

Chlorine guidelines (not to be confused with chloride)

- 304L suitable for chlorine levels up to 2ppm.
- 316L suitable for chlorine levels up to 5ppm.
- Short term dosing, for example 25-50ppm, for sterilisation purposes of 24-48 hours acceptable if effectively flushed through afterwards.
- Sterilisation is essential during commissioning of potable water systems.

Reference: <https://www.assda.asn.au/component/content/article?id=271:chlorine-and-chloride--same-element,-very-different-effect>

Responsibly Sourced



Reduce Carbon Footprint

GENTEC is rejuvenating the product- no power, less maintenance and longer life.

Rejuvenation Program

To learn more about the rejuvenation program, please contact our customer service at info@gentecaustralia.com.au for more information.

Ethically and Environmentally Sourced

Please refer to GENTEC Business Ethics & Ethical Sourcing Policy at <https://gentecaustralia.com.au/terms-and-conditions/>



A: Unit 6, 20-28 Ricketty St,
Mascot, Sydney, NSW 2020

E: info@gentecaustralia.com.au

P: +612 9319 4422

F: +612 8088 7635

Gentec products come with a Manufacturer's Warranty. To ensure the validity of this warranty, Gentec products must be installed following the provided installation instructions and adhering to AS 3500, NCC Volume Three, relevant Australian Standards, and any local authority requirements applicable to the product. Additionally, water and electrical supply conditions must meet the appropriate national and/or state standards. Non-compliance with these provisions may void the warranty and impact product performance.

Note: The information provided is only a guide, actual product may differ. The information here should not be relied on without clarification with Gentec. Gentec reserves the right to make design changes at any time without notification.

*Subject to terms and conditions. For detailed warranty information, installation compliance, maintenance and cleaning guidelines, and other relevant details, please visit <https://gentecaustralia.com.au>