

USER MANUAL

GPURE® FLOSTOP Stainless Steel Timed Flow Taps



- **GPT1000W** - Zero Lead Stainless Steel 304 Wall Mounted Single Temperature Timed Flow Bib Tap
- **GPT1500** - Zero Lead Stainless Steel 304 Hob Mounted Single Temperature Timed Flow Pillar Tap
- **GPT7000** - Zero Lead Stainless Steel 316 Wall Mounted Single Temperature Timed Flow Bib Tap
- **GPT7500** - Zero Lead Stainless Steel 316 Hob Mounted Angled Single Temperature Timed Flow Pillar Tap



Table of Contents

Scope of Use	2
Technical Information	2
Product Images & Technical Drawings	3
Exploded Drawings	5
Installation Steps	8
Time Adjustment	11
Cleaning & Maintenance	12
Troubleshooting	14
Water Quality	15
Responsibly Sourced	16

Disclaimer: Stainless Steel Grades 304 & 316 are manufactured with ZERO Lead.



USER MANUAL

Scope of Use

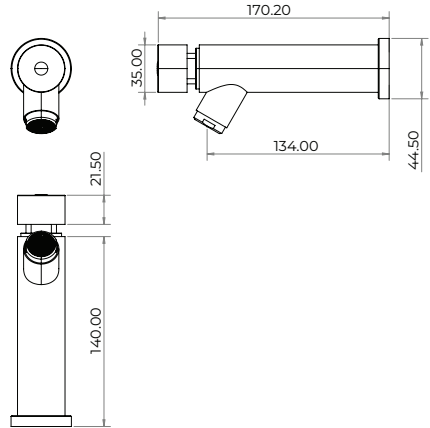
Installation of all products should adhere to the manufacturer's guidelines, as well as comply with PCA, AS/NZS3500 standards, and any other relevant regulatory provisions. This product range complies with the Lead Free requirements of the National Construction Code Volume Three.

- **Installation:** Refer to the installation instructions included within this manual
- **Water quality:** In line strainer (supplied) must be installed to ensure water quality
- **Suitable for indoor and outdoor use:** GPURE FLOSTOP
- **Temperature recommendation:**
 - Single temperature up to 50°C
 - Dual temperature up to 80°C
 - Minimum temperature: 5°C
- **Mounting:** Wall, bench or in line installation

Technical Information

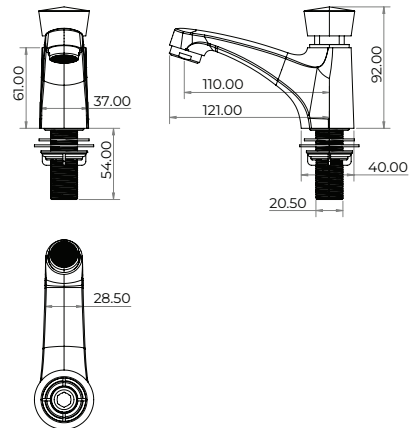
Material	Zero Lead Stainless Steel 304: GPT1000W & GPT1500 Zero Lead Stainless Steel 316: GPT7000 & GPT7500	
Cartridge	Timed Flow (Hydraulic)	
Inlet	• 1/2" Female: GPT1000W • 1/2" Male: GPT1500	• 15mm: GPT7000 • 15mm Female Flexible Connections: GPT7500
Outlet	• Single Temperature Timed Flow: GPT1000W, GPT1500 & GPT7000 • Angled Single Temperature Timed Flow: GPT7500	
Flow Style	• Aerated Flow: GPT1000W & GPT1500 • Laminar Flow: GPT7000 & GPT7500	
Flow Regulator	GPT1000W: A18-5L GPT1500: Default 40.2052.000 - Aerated Flow 6LPM	
Run Time	• 5 seconds (+/- 2): GPT1000W & GPT1500 • 0-20 (+/-5) seconds (Adjustable): GPT7000 & GPT7500	
Working Pressure	150kPa - 500kPa	
Manufacturers Recommended Pressure	350 kPa	
Working Temperature	• 5°C - 45°C: GPT1000W & GPT1500 • 5°C - 50°C: GPT7000 & GPT7500	
Finish	Polished	
Servicing	Preventative Maintenance	

Product Images & Technical Drawings



GPT1000W

Zero Lead Stainless Steel 304 Wall Mounted Single Temperature Timed Flow Bib Tap



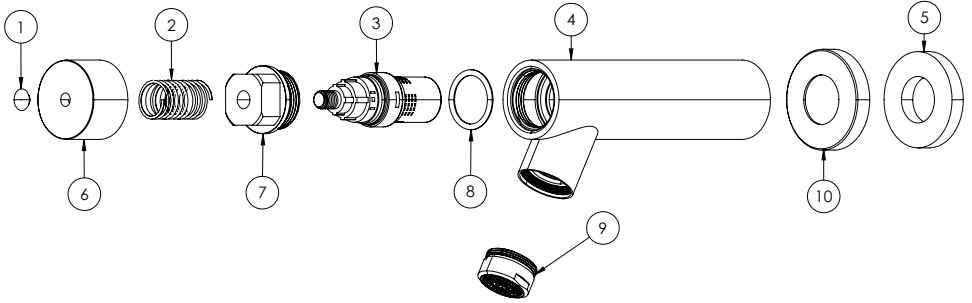
GPT1500

Zero Lead Stainless Steel 304 Hob Mounted Single Temperature Timed Flow Pillar Tap

Note: Dimensions are provided as a guide and are subject to manufacturing tolerances.

Exploded Drawings

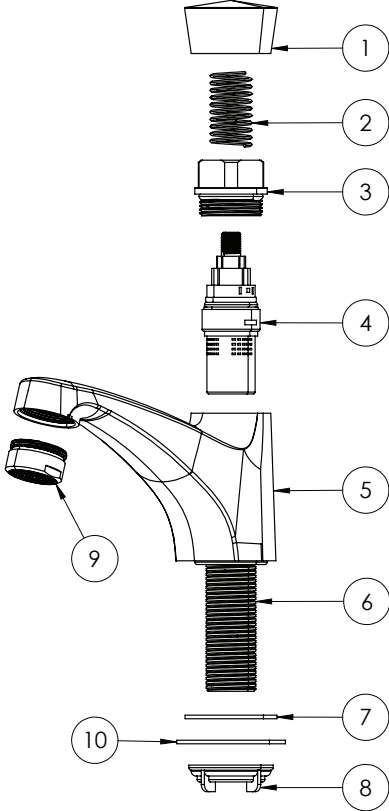
GPT1000W



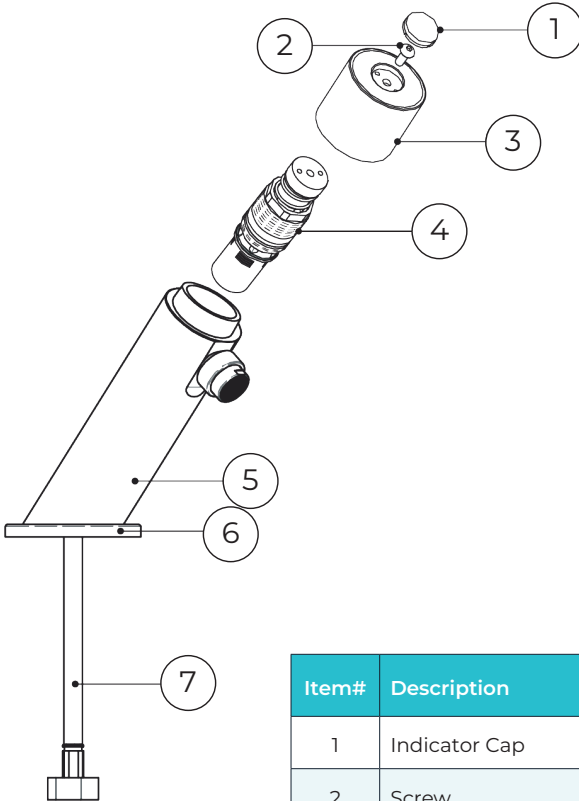
Item#	Description	Qty.
1	Indicator	1
2	Spring	1
3	Cartridge	1
4	Tap Body	1
5	Flange	1
6	Tap Head	1
7	Cartridge Nut	1
8	O-Ring	1
9	Aerator	1
10	Cover Flange	1

USER MANUAL

GPT1500



Item#	Description	Qty.
1	Cartridge Head	1
2	Spring	1
3	Cartridge Nut	1
4	Cartridge	1
5	Tap Body	1
6	Tap Fixing Head	1
7	Rubber Washer	1
8	Fixing Nut	1
9	Aerator	1
10	Metal Washer	1

GPT7500


Item#	Description	Spare Parts
1	Indicator Cap	<input type="checkbox"/>
2	Screw	<input type="checkbox"/>
3	Handle	<input type="checkbox"/>
4	Cartridge	<input type="checkbox"/>
5	Body	<input type="checkbox"/>
6	Flange	<input type="checkbox"/>
7	Flexible Hose	<input type="checkbox"/>
8	O-Ring Kit	<input checked="" type="checkbox"/>

USER MANUAL

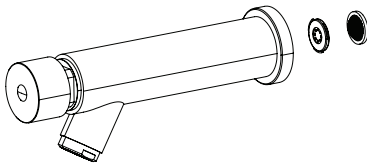
Installation Steps

BEFORE THE SET UP

- Flush the water inlet pipework prior to installation.
- Install the flow regulator into the body.
- The strainer is installed prior to connection.
- Please refer to the unit components of the products given in page 5-7.

GPT1000W INSTALLATION STEPS

- Step 1. Install the flow regulator and strainer into extended body (ensure it is facing correctly) followed by the strainer.

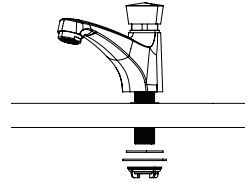


- Step 2. Apply adequate thread tape to the wall fitting, place cover flange in position and screw on the tap using a strap wrench. Ensure spout in facing downwards.
- Step 3. Turn on water supply. Check for leaks.
- Step 4. Activate tap to verify operation.

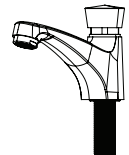
Note : For all units: Select the desired colour indicator and push into the handle.

GPT1500 INSTALLATION STEPS

- Step 1. Install the flow regulator and strainer into the inlet. Remove the washer and fixing nut. Place the tap on the counter top. From underneath place the washer and tighten the nut and fix firmly in position.



- Step 2. Connect water supply to the tap and check for leaks.



- Step 3. Activate tap to verify operation.

Important Information

Do not twist the cover cap. Always use the wrench flats on the cartridge body when tightening. Incorrect installation may cause permanent damage to the cartridge.

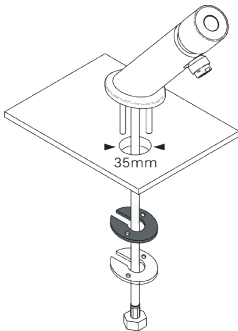
PILLAR TAPS - GPT7500

Step 1. Remove flange, rubber seal, fixing plate and nuts.

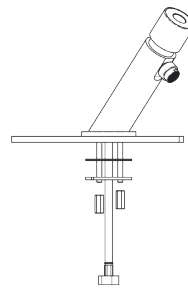
Step 2. Connect the flexible hose. Care must be taken to not twist the hose so that it does not kink during assembly.



Step 3. Assemble the flange to the base of the tap then feed the flexible hose through the pre-formed hole in the sink or basin. Pre-formed hole size must be 35mm in diameter.



Step 4. From underneath the sink or basin, fix rubber seal, fixing plate and fixing nuts use socket set or tube spanner to clamp the tap onto the sink/ basin. Ensure the tap set is firmly attached to the sink or basin.



Step 5. Flush the water supply pipework prior to installation. Connect the flexible hose to an isolating stop valve. Turn on water supply and verify operation.

Important Information

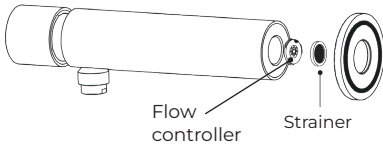
Warranty may be void if damage to internal components or spare part occurs during service/ maintenance.

USER MANUAL

BIB TAPS - GPT7000

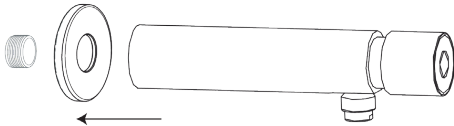
Step 1. Flush the water supply pipework prior to installation.

Step 2. Ensure the strainer and flow controller are installed prior to connection.



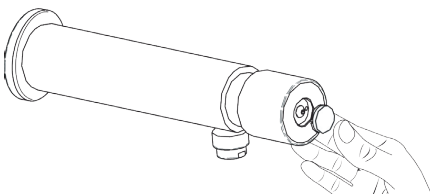
Step 3. Apply adequate thread tape to the wall fitting.

Step 4. Place the flange and screw to the wall fitting. Note: Ensure that thread tape does not foul the inlet, strainer and timed flow headwork).



Step 5. Tighten using a strap wrench and ensure the outlet is facing downwards. Turn on water supply. Check for leaks then activate tap to verify operation.

Step 6. Select the desired colour indicator and push into the handle.



WATER SUPPLY

Where multiple taps may be installed off the one service line, ensure that water supply pipe sizing and available pressure meets the requirements of the installation and AS/NZS3500 to ensure optimum performance.

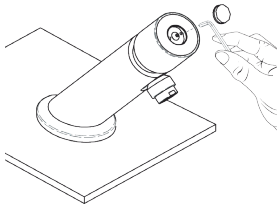
Min Continuous Flow Working Pressure	50kPa
Max Continuous Flow Working Pressure	500kPa
Optimum Flow Working Pressure	350Kpa
Max Static Pressure	500kPa
Min Continuous Working Temperature	5°C
Max Continuous Working Temperature	50°C

Time Adjustment

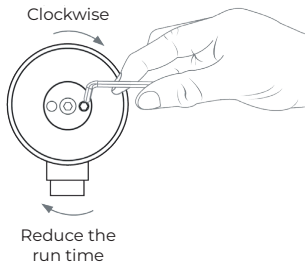
ADJUSTING CARTRIDGE TIMING (2 TO 40 SECONDS)

To adjust the timing of the cartridge, remove the colour indicator. The grub screw may now be adjusted to vary the run time.

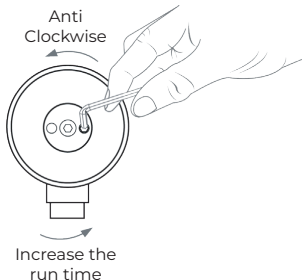
Step 1. You will need to use a 1.5mm allen key to adjust the timing.



Step 2. Turning the screw clockwise will reduce the run time.



Step 3. Turning the screw anti-clockwise will increase the run time.



Timed Adjustment Range- From 2 to 40 Seconds

Contact GENTEC before attempting to change the flow cups.

Warranty may be void if damage to internal components or spare parts occurs during service / maintenance.

GPURE® is available in a range of fixed timing options which are installed ex-works.

Refer to the chart below:

Flow Control Cup	Description
TFT9050	Flow cup 0 - 5 +/-1 Sec
TFT9056	Flow cup 0-20 +/-5 Sec
TFT9054	Flow cup 0-40 +/-10 Sec

USER MANUAL

Cleaning & Maintenance

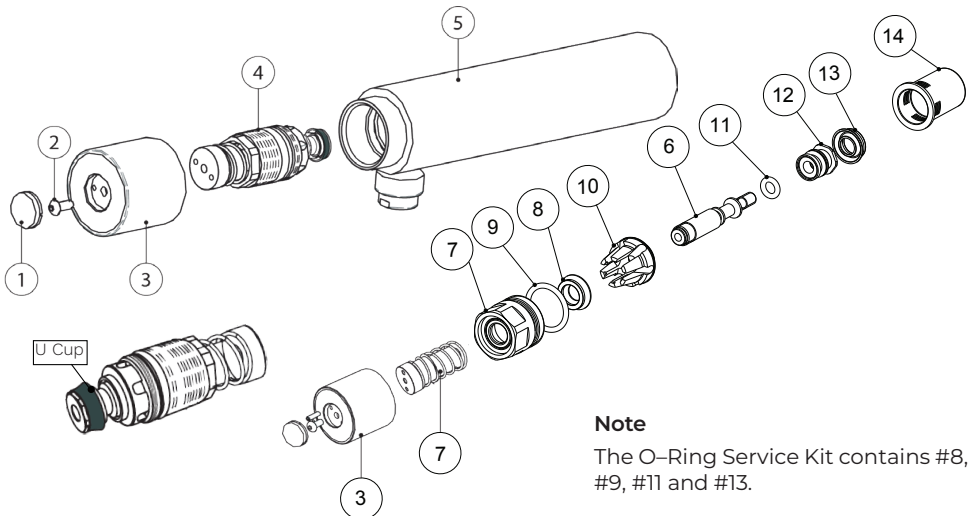
To minimise downtime and maximise the functional life of the product, GENTEC recommends servicing your product at least every 12 months, under heavy use may need to be checked and serviced more often.

- The product must be handled carefully to avoid causing any physical damage.
- Use the product at least once every week to ensure all parts are kept lubricated and functioning properly.
- Service the product at least once a year to avoid any product failures - The service timeline provided is based on normal use. More frequent servicing may be required for heavy usage.
- A working pressure of 350kPa is highly recommended to ensure the maximum up-time of the product.
- Regularly clean the product with a soft cloth with warm soapy water, wash off with warm water and dry off with a soft dry cloth, paying attention to removing the dust and contamination in the bends and joints is highly recommended.
- Abrasives, hard clothes, strong acids, and bleaches must be avoided when cleaning all GENTEC products.
- Installation must be completed by a qualified and licenced plumber and adhere to AS/NZS3500 and manufacturer's recommendations.

Important Information

For optimum performance, periodically remove the tap from its installation, inspect and clean the strainer. If debris is present in the strainer it is recommended to flush the water supply pipework.

O-RING KIT SERVICE

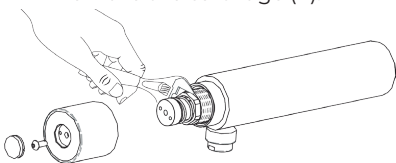


No.	Product Code	Qty.
01	Indicator	1
02	Screw	1
03	Handle	1
04	Cartridge	1
05	Body	1
06	Stem	1
07	Head Valve	1
08	U cup	1
09	O-Ring	1
10	Crown Ring	1
11	O-Ring	1
12	Stopper	1
13	U Cup	1
14	Flow Cup	1

Service and maintenance must be undertaken by a suitably qualified plumber. Warranty may be void if damage to internal components occurs during this procedure.

First start by shutting off the main water supply.

- Step 1. Remove the indicator (1).
- Step 2. Undo the screw (2) and remove the handle (3).
- Step 3. Undo the head valve (7) and remove the cartridge (4).



- Step 4. Undo the stopper (12).
- Step 5. Set aside the crown ring (10).
- Step 6. Set aside the head valve (7) from the stem.
- Step 7. Remove the U Cup (8) from the head valve (7) and replace with the new U Cup (8).
- Step 8. Remove the U Cup (13) from the stopper (12) and replace it with the new U Cup.
- Step 9. Remove the O-Ring (11) and replace it with the new "O" Ring (11).
- Step 10. Remove the O-Ring (9) and replace it with the new O-Ring (9).
- Step 11. Using the existing crown ring (10) place it back into the head valve (7).
- Step 12. Place the stem (6) through the head valve (7).
- Step 13. Replace the stopper (12), ensure the O-Ring (11) is in place, then tighten the stopper (12). Do not over tighten.
- Step 14. Fit the cartridge back into the body and tighten. **Do not overtighten.**
- Step 15. Replace the handle (3) tighten the screw (2) and place back the indicator.
Note: Ensure there is no grime build up inside the handle.

Important Information

To minimise the risk of malfunction, apply a drop of Loxeal or another thread locker to the thread of stem (6) in high use applications.

Do not apply any form of lube or grease inside flow cup (14) or U cup (8, 13).

USER MANUAL

Troubleshooting

Problem	Cause	How to Fix
Tap is not shutting off	<ul style="list-style-type: none"> • Debris • Grease/ lubricant • High pressure 	<ul style="list-style-type: none"> • Is the cartridge tight • Have you flushed the water line for a minimum of 1 minute before connecting the water • Have you installed the strainer and flow controller if provided • If debris or lubricants have gone through the flow cup, it must be replaced. Debris or lubricants have a major effect on the hydraulic cartridge, this is more than likely to be the cause • Have you checked to make sure the pressure is to manufacturer's recommendations and in line with the plumbing code • Gecko rubber blown/peeled over due to high pressure
No water	<ul style="list-style-type: none"> • Isolating valve is off 	<ul style="list-style-type: none"> • Ensure the isolating valve is turned on
Run cycle is too long	<ul style="list-style-type: none"> • Need to order the right timing 	<ul style="list-style-type: none"> • The standard product is not set for any set time. Customers can adjust the run time from 2 to 40 seconds • If you need different timing, you will need to order and replace the flow cup • If you have an adjustable time tap or valve, then you have the opportunity to adjust on site by just using an Allen key provided with every unit. The hole is located on the front of the handle, clockwise will reduce the time and anti-clockwise will increase the time
Issue with water flow	<ul style="list-style-type: none"> • Not enough water • Too much / little water 	<ul style="list-style-type: none"> • Check for blockage • Is the isolating valve fully open • Have got these in a bank, if so, is the inlet pipes been sized correctly • Has the flow control been installed • High pressure exceeding the plumbing code will have an effect on the product and must not exceed 500kPa • If flexi hose is used, ensure its not kinked/twisted
Not enough water	<ul style="list-style-type: none"> • Taps installed in a bank or a trough 	<ul style="list-style-type: none"> • Ensure the main pipe size is correctly sized to provide adequate water to service the taps installed in a bank or a trough

Problem	Cause	How to Fix
Knee valve and lever pillar tap won't shut off	<ul style="list-style-type: none"> The valve/ tap keeps running 	<ul style="list-style-type: none"> Please ensure the brass washer located under the handle and inside the dome is installed the right way round. Please refer to the instructions Ensure inlet/outlet is correct (follow the arrow)
How often do I need to service my tap	<ul style="list-style-type: none"> Prevent product failure 	<ul style="list-style-type: none"> Service and maintenance of the main operating parts is recommended as this will prolong the life of the product

Water Quality

Maximum chloride Cl- level Guidelines in plumbing systems

	Cold Water	Hot Water
Grade 304L	200	50
Grade 316L	1000	250

When materials may be used in either hot or cold water lines, the guidelines for hot water should be used.

Within these guidelines at ambient temperatures and provided the pH >~6, any negative effect to stainless steel will be unlikely.

Note: Chlorides in water - where the density of the solvent (water) is 1 (which it is to within 0.1% at ambient temperatures), then mg/L = ppm.

For brass products, please ensure the chlorine and chloramines levels are not more than 0.4 ppm.

Please ensure that the water quality supplied to the fixtures meets safe drinking standards to prevent potential staining of the product.

Chlorine guidelines (not to be confused with chloride)

- 316L suitable for chlorine levels up to 5ppm.
- Short term dosing, for example 25-50ppm, for sterilisation purposes of 24-48 hours acceptable if effectively flushed through afterwards.
- Sterilisation is essential during commissioning of potable water systems.

Reference: <https://www.assda.asn.au/component/content/article?id=271:chlorine-and-chloride--same-element,-very-different-effect>

USER MANUAL

Responsibly Sourced



Reduce Carbon Footprint

GENTEC is rejuvenating the product- no power, less maintenance and longer life.

Rejuvenation Program

To learn more about the rejuvenation program, please contact our customer service at info@gentecaustralia.com.au for more information.

Ethically and Environmentally Sourced

Please refer to GENTEC Business Ethics & Ethical Sourcing Policy at <https://gentecaustralia.com.au/terms-and-conditions/>



A: Unit 6, 20-28 Ricketty St,
Mascot, Sydney, NSW 2020

E: info@gentecaustralia.com.au

P: +612 9319 4422

F: +612 8088 7635

Gentec products come with a Manufacturer's Warranty. To ensure the validity of this warranty, Gentec products must be installed following the provided installation instructions and adhering to AS 3500, NCC Volume Three, relevant Australian Standards, and any local authority requirements applicable to the product. Additionally, water and electrical supply conditions must meet the appropriate national and/or state standards. Non-compliance with these provisions may void the warranty and impact product performance.

Note: The information provided is only a guide, actual product may differ. The information here should not be relied on without clarification with Gentec. Gentec reserves the right to make design changes at any time without notification.

*Subject to terms and conditions. For detailed warranty information, installation compliance, maintenance and cleaning guidelines, and other relevant details, please visit <https://gentecaustralia.com.au>

gentecaustralia.com.au