

# USER MANUAL

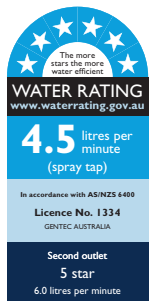
## GPURE® JETFLO Stainless Steel Pre-Rinse Units



- **GPJ1200** - Zero Lead Stainless Steel 304 Hob Mounted Pre-Rinse Unit w/ Pot Filler and Mixer
- **GPJ1200C** - Zero Lead Stainless Steel 304 Hob Mounted Pre-Rinse Unit w/ Pot Filler and Mixer - Compact
- **GPJ1500** - Zero Lead Stainless Steel 304 Hob Mounted Pre-Rinse Unit w/ Pot Filler and Dual Handle Mixer
- **GPJ3000** - Zero Lead Stainless Steel 304 Wall Mounted Pre-Rinse Unit w/ Spray Arm and Recess Adaptor
- **GPJ3000W** - Zero Lead Stainless Steel 304 Wall Mounted Pre-Rinse Unit w/ Spray Arm
- **GPJ4000** - Zero Lead Stainless Steel 304 Hob Mounted Pre-Rinse Unit w/ Trigger Spray
- **GPJ5000** - Zero Lead Stainless Steel 304 Wall Mounted Pre-Rinse Unit w/ Spray Arm
- **GPJ5600** - Zero Lead Stainless Steel 304 Wall Mounted Pre-Rinse Unit w/ Pot Filler
- **GPJ6000** - Zero Lead Stainless Steel 304 Hob Mounted Pre-Rinse Unit w/ Pot Filler
- **GPJ9900** - Zero Lead Stainless Steel 304 Hob Mounted Pre-Rinse Unit w/ Pot Filler, Exposed Mixing Breech and 100mm Lever Handles



\*Disclaimer: Stainless Steel Grade 304 is manufactured with ZERO\* Lead.



gentcaustralia.com.au

# USER MANUAL

---

## Table of Contents

Scope of Use	2
Technical Information	3
Product Images & Technical Drawings	4
Exploded Drawings	9
Installation Steps	12
Cleaning & Maintenance	19
Troubleshooting	20
Water Quality	22
Responsibly Sourced	22

## Scope of Use

Installation of all products should adhere to the manufacturer's guidelines, as well as comply with PCA, AS/NZS3500 standards, and any other relevant regulatory provisions. This product range complies with the Lead Free requirements of the National Construction Code Volume Three.

---

- **Installation:** Refer to the installation instructions included within this manual
- **Water quality:** In line strainer (supplied) must be installed to ensure water quality
- **Suitable for indoor use**
- **Temperature recommendation:**
  - Single temperature up to: 50°C
  - Dual temperature up to: 80°C
  - Minimum temperature: 5°C
- **Mounting:** Wall, bench or in line installation

## Technical Information

<b>Material</b>	Zero Lead Stainless Steel 304
<b>Cartridge</b>	Ceramic Disc / Self Closing
<b>Cartridge Size</b>	<ul style="list-style-type: none"> <li>· 35mm: GPJ1200 &amp; GPJ1200C</li> <li>· 15mm: GPJ1500, GPJ3000, GPJ3000W, GPJ4000, GPJ5000, GPJ5600, GPJ6000 &amp; GPJ9900</li> </ul>
<b>Inlet</b>	<ul style="list-style-type: none"> <li>· 15mm Female: GPJ1200, GPJ1200C, GPJ1500, GPJ5600, GPJ5000 &amp; GPJ6000</li> <li>· 15mm: GPJ3000, GPJ3000W &amp; GPJ4000</li> <li>· 15mm Male: GPJ9900</li> </ul>
<b>Flow Style</b>	Blade Spray / Laminar Flow
<b>Working Pressure</b>	150kPa - 500kPa
<b>Manufacturers Recommended Pressure</b>	350 kPa
<b>Working Temperature</b>	5°C - 80°C
<b>Finish</b>	Brushed
<b>Servicing</b>	Preventative Maintenance

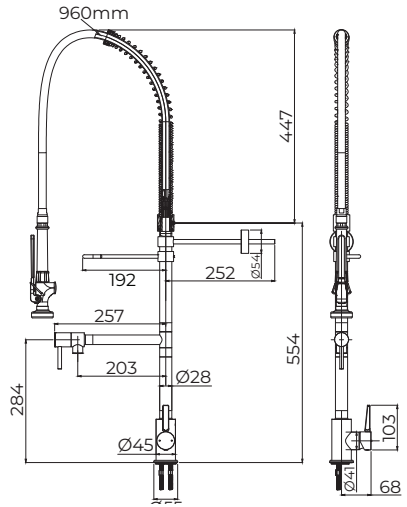
# USER MANUAL

## Product Images & Technical Drawings



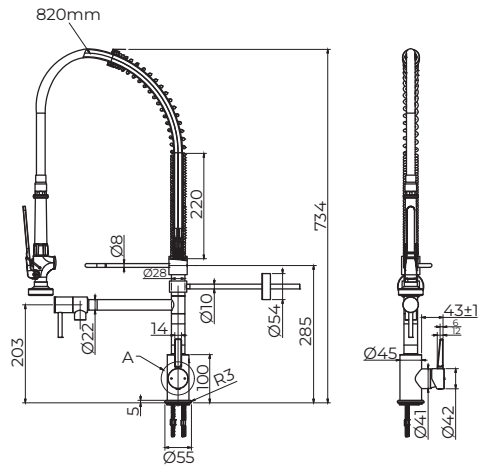
**GPJ1200**

Zero Lead Stainless Steel 304 Hob Mounted Pre-Rinse Unit w/ Pot Filler and Mixer



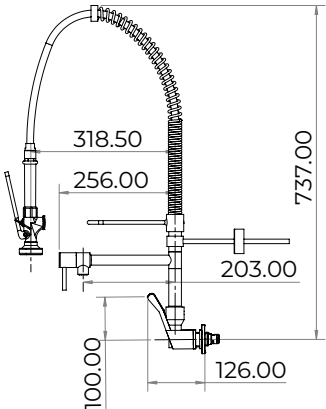
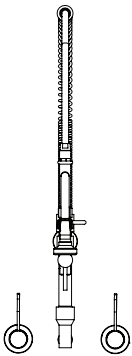
**GPJ1200C**

Zero Lead Stainless Steel 304 Hob Mounted Pre-Rinse Unit w/ Pot Filler and Mixer - Compact



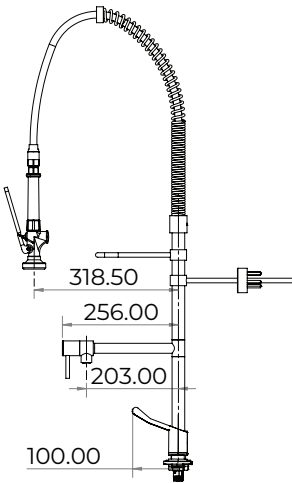
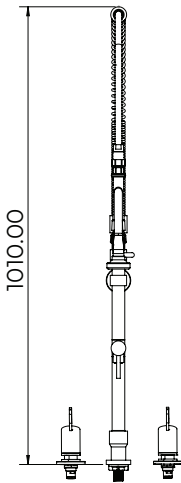


# USER MANUAL



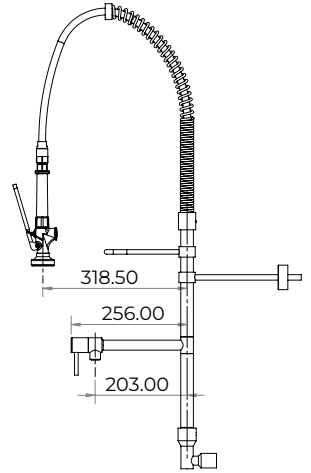
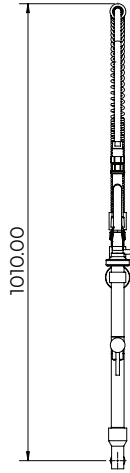
## GPJ3000W

Zero Lead Stainless Steel 304 Wall Mounted Pre-Rinse Unit w/ Spray Arm

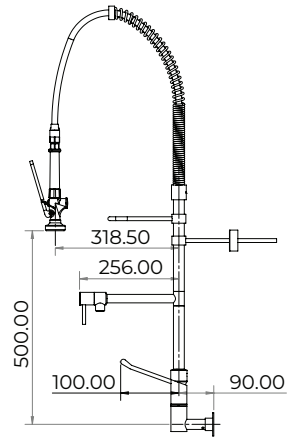
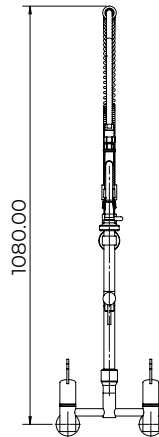


## GPJ4000

Zero Lead Stainless Steel 304 Hob Mounted Pre-Rinse Unit w/ Trigger Spray

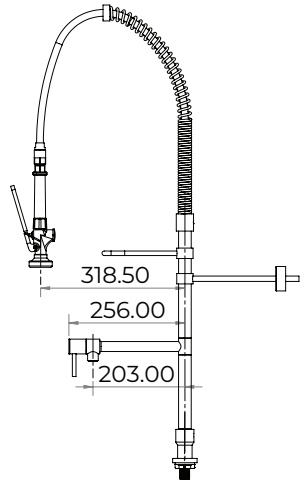
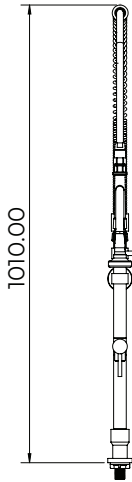

**GPJ5000**

Zero Lead Stainless Steel 304 Wall Mounted Pre-Rinse Unit w/ Spray Arm


**GPJ5600**

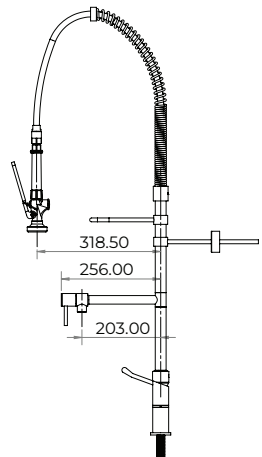
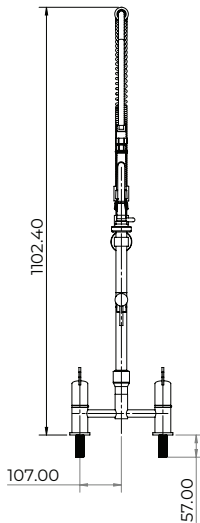
Zero Lead Stainless Steel 304 Wall Mounted Pre-Rinse Unit w/ Pot Filler

# USER MANUAL



**GPJ6000**

Zero Lead Stainless Steel 304 Hob Mounted Pre-Rinse Unit w/ Pot Filler

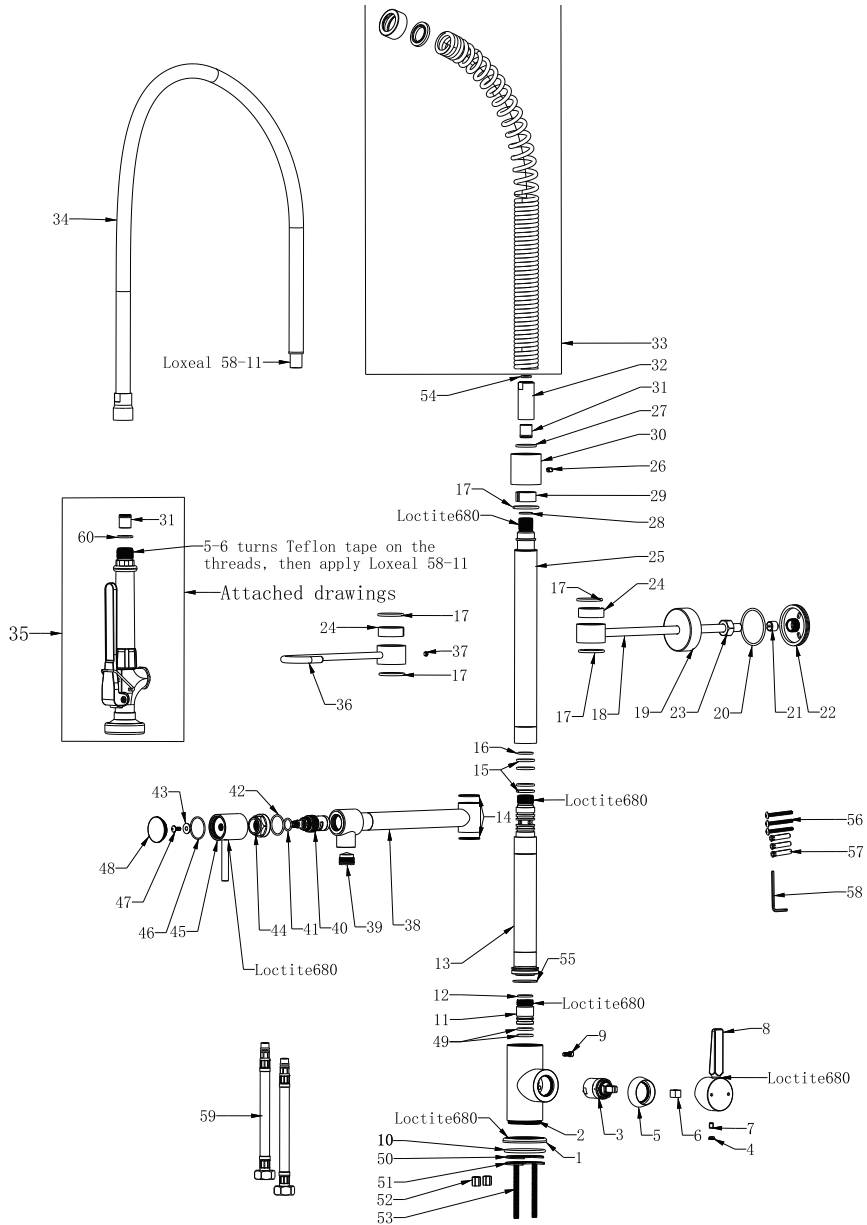


**GPJ9900**

Zero Lead Stainless Steel 304 Hob Mounted Pre-Rinse Unit w/ Pot Filler, Exposed Mixing Breech and 100mm Lever Handles

Note: Dimensions are provided as a guide and are subject to manufacturing tolerances.

# Exploded Drawings



# USER MANUAL

No.	Code	Description	Qty.	Spare Parts	
01	GPJ0082	Flange	1	<input type="checkbox"/>	
02		Main body	1	<input checked="" type="checkbox"/>	
03		Cartridge	1	<input checked="" type="checkbox"/>	
04		Grub screw cover	1	<input checked="" type="checkbox"/>	
05		GPJ9001 (For item no. 03 only)	Decorative cover	1	<input checked="" type="checkbox"/>
06		Cartridge sleeve	1	<input checked="" type="checkbox"/>	
07		GPJ0074 (For item No. 04-08 only)	Grub screw	1	<input checked="" type="checkbox"/>
08		Mixer handle	1	<input checked="" type="checkbox"/>	
09		M5 Screw	1	<input type="checkbox"/>	
10		O-Ring	1	<input type="checkbox"/>	
11		Stainless steel joint	1	<input type="checkbox"/>	
12		O-Ring	1	<input type="checkbox"/>	
13		Bottom riser	1	<input type="checkbox"/>	
14		Nylon spacers	2	<input type="checkbox"/>	
15	GPJ0068	O-Ring	4	<input checked="" type="checkbox"/>	
16		O-Ring	1	<input checked="" type="checkbox"/>	
17	GPJ0061	O-Ring	5	<input checked="" type="checkbox"/>	
24		Snap ring	2	<input type="checkbox"/>	
36		Trigger spray support arm	1	<input checked="" type="checkbox"/>	
37		M5 screw	1	<input type="checkbox"/>	
18		Wall bracket support arm	1	<input checked="" type="checkbox"/>	
19	GPJ0063	Decorative cover	1	<input checked="" type="checkbox"/>	
20		O-Ring	1	<input checked="" type="checkbox"/>	
21		Snap ring	1	<input checked="" type="checkbox"/>	
22		Wall seat	1	<input checked="" type="checkbox"/>	
23		Hexagon nut	1	<input checked="" type="checkbox"/>	
25		Top riser	1	<input type="checkbox"/>	
26		M5 Screw	1	<input type="checkbox"/>	
27		O-Ring	1	<input checked="" type="checkbox"/>	
28		O-Ring	1	<input checked="" type="checkbox"/>	
29		Snap ring	1	<input type="checkbox"/>	

No.	Code	Description	Qty.	Spare Parts
30		Stainless steel joint		<input type="checkbox"/>
31		Check valve		<input checked="" type="checkbox"/>
32		Hose and check valve housing connector	1	<input checked="" type="checkbox"/>
33	GPJ0060	Spring		<input checked="" type="checkbox"/>
34	GPJ0070 GPJ0070C	Trigger spray hose	1	<input checked="" type="checkbox"/>
35	GPJ0050	Trigger spray	1	<input checked="" type="checkbox"/>
38		Pot filler arm	1	<input type="checkbox"/>
39	AEM18.5-6.6L	Aerator	1	<input checked="" type="checkbox"/>
40	GPJ0064C GPJ0064H	Cartridge	1	<input checked="" type="checkbox"/>
41		O-Ring	1	<input type="checkbox"/>
42		O-Ring	1	<input type="checkbox"/>
43		Washer	1	<input checked="" type="checkbox"/>
44		Cartridge assembly	1	<input type="checkbox"/>
45	GPJ0065	Pot filler handle	1	<input checked="" type="checkbox"/>
46		O-Ring	1	<input checked="" type="checkbox"/>
47		Screw	1	<input checked="" type="checkbox"/>
48		Decorative cover	1	<input checked="" type="checkbox"/>
49	GPJ0066	O-Ring	2	<input checked="" type="checkbox"/>
50		Rubber seal	1	<input checked="" type="checkbox"/>
51		Horseshoe	1	<input checked="" type="checkbox"/>
52		Nut	2	<input checked="" type="checkbox"/>
53		Screw	2	<input checked="" type="checkbox"/>
54		Red fibre washer	1	<input checked="" type="checkbox"/>
55		O-Ring	1	<input type="checkbox"/>
56		Self tapping screw	3	<input checked="" type="checkbox"/>
57		Wall plug	3	<input checked="" type="checkbox"/>
58		Allen key	1	<input checked="" type="checkbox"/>
59	GPJ9010C	1 Hot/1 Cold flexible braided hose	1	<input checked="" type="checkbox"/>
60	GPJ0052	O-Ring	1	<input type="checkbox"/>

# USER MANUAL

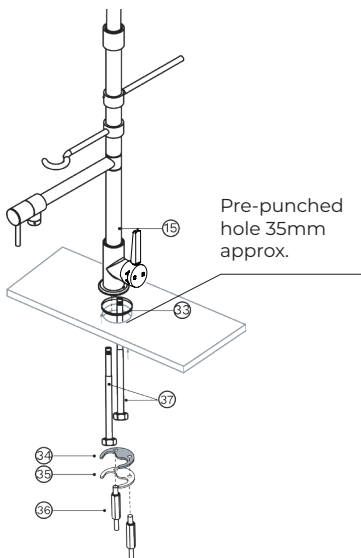
## Installation Steps

### MIXER BODY INSTALLATION STEPS

#### Important Note

The mixer must be installed in accordance with the requirements of the NCC Vol3 and AS/NZS3500 by a suitably qualified and licensed plumber. This product comes factory assembled and tested for optimum service life and performance. Water supply lines must be thoroughly flushed before connecting the assembly. Isolating stop cocks should be installed at the heated and cold water connection points for ease of servicing.

- Step 1. Place the base O-Ring (33) on the underside of the mixer body (15).
- Step 2. Screw in the hot and cold flexible connectors (37) to the mixer body (15).
- Step 3. Place the mixer unit over the pre-punched tap hole (35mm) in the counter top. Feed the flexible connectors (37) through first.



Note: The unit must be installed with the main mixer handle to the right side.

- Step 4. From underneath the counter top, slide on the U-shaped washer then the U-shaped fixing plate. (34 & 35)
- Step 5. Screw on the hex nuts (36) until the mixer base is firmly fixed to the sink. Tighten with a socket set or tube spanner.
- Step 6. Connect the hot and cold flexible connectors to the isolation valves.
- Step 7. Turn on water supply and check for leaks.
- Step 8. Activate mixer handle, pot filler handle and spray gun to verify operation.

#### Important Information

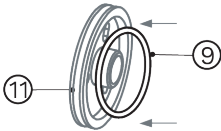
- See the detailed wall support installation on page 8.
- See the detailed spring and trigger spray installation on page 9.
- Misuse of the product is not covered by warranty.
- Water pressure exceeding 500kPa may affect the operational life of the product.

## WALL BRACKET INSTALLATION STEPS

The Wall Bracket Installation is an essential part for the correct operation and use of the Stainless Steel Pre Rinse Unit.

Step 1. Measure and cut the wall support bar (6) to a length with a 2 to 5mm gap from the wall.

Step 2. Fit the O-Ring (9) to the groove on the fixing wall plate (11).



Step 3. Slide on the chrome cover flange (7), nut (8), brass olive (10) & wall fixing plate (11) onto the wall support bar (6).

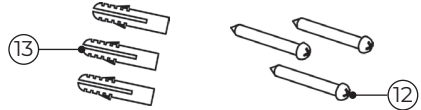
Step 4. Swing the wall support bar into position and mark the three holes for drilling into the wall.

Step 5. Swing the wall support bar to the left or right to enable the three holes to be drilled.

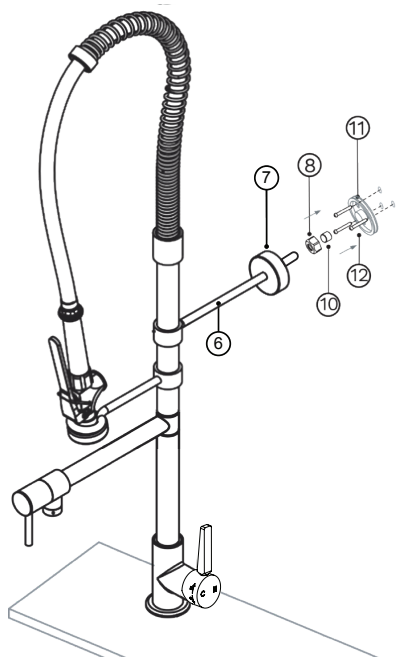
Step 6. Swing the wall support bracket back into position, line up the holes and screw the fixing plate back to the wall. Tighten the brass nut and olive, ensuring a firm and solid installation. Slide the chrome cover plate over the wall plate.

Note: For a stainless steel splashback and/ or cool room panel wall, ensure the fixing method used results in a solid fixing.

\* For a masonry wall use the wall anchors provided (13) with screws (12).



\* For a timber backed wall use the screws provided (12).



### Important Information

- The wall support bar (6) can slide up or down to the desired height by slowly twisting it back and forth while moving it in the desired position.
- The wall support bar (6) should be installed as high as possible. This wall support bar should be cut to fit the desired distance to the wall.

# USER MANUAL

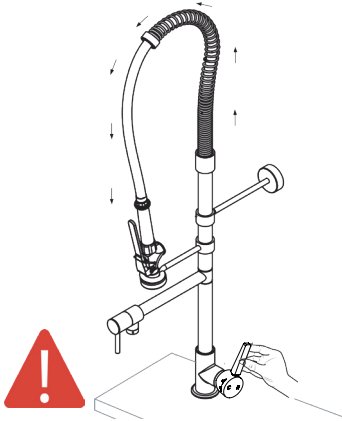
## SPRING AND TRIGGER SPRAY

### For Optimum Performance and Durability

Conduct service inspections at regular intervals especially in high usage areas will assist in optimising the operational life of the product.

Ensure the Blade Spray nozzle outlet is inspected and cleaned at regular intervals to maintain the units water spray efficiency and effectiveness.

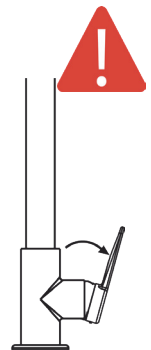
**When not in use, the mixer cartridge must be fully closed so as not to leave the pot filler, trigger spray and hose under constant hydrostatic pressure.**



### Best practices to keep your unit as new

- The mixer must be installed in accordance with the requirements of the NCC Vol3 and AS/NZS3500 and maintenance undertaken by a suitably qualified licensed plumber.
- When not in use, the mixer cartridge must be fully closed so as not to leave the pot filler, trigger spray and hose under constant hydrostatic pressure.
- Do not kink the flexible trigger spray hose during use as this may result in premature failure and void warranty.
- For optimum operational life, the installation of a PRV set to 450kPa is recommended
- Ensure that the wall bracket is periodically inspected to ensure that it remains firmly attached to the wall.
- Ensure the "instruction sticker" supplied with the unit is installed and placed in a suitable position so that it is visible to the user.

Turn mixer off when not in use to avoid pressure build-up at pot filler and trigger spray



## GPJ3000W & GPJ3000

- Step 1. Removing the locking nut from both the hot & cold spindles, ensuring the correct direction (clockwise/anticlockwise) for handle rotation.
- Step 2. Screw in both spindles into the wall breach and hand tighten until it touches the tap seat.
- Step 3. Gently tighten the spindles with a spanner but do not over-tighten.
- Step 4. Place the fiber washer over the spindle and screw on the locking nut, tightening firmly. Step 8. Place the wall flanges over the spindles; if the breach depth is insufficient a trouble dome can be used.
- Step 5. Screw the locking sleeves onto the spindles until they're firmly against the flanges.
- Step 6. Install the handles onto the spindles as per the provided instructions.
- Step 7. Apply adequate Teflon tape to the 1/2" BSP thread. Place the flange over the thread and screw the wall mounted elbow onto the thread.
- Step 8. Insert the riser body into the elbow. Secure the riser in place by tightening the grub screw with an Allen key.
- Step 9. Turn on the water supply. Check for leaks and activate hot and cold handles on the tap to verify operation.

# USER MANUAL

## GPJ4000

- Step 1. Removing the locking nut from both the hot & cold spindles, ensuring the correct direction (clockwise/anticlockwise) for handle rotation.
- Step 2. Screw in both spindles into the bench breech and hand tighten until it touches the tap seat.
- Step 3. Gently tighten the spindles with a spanner but do not over-tighten.
- Step 4. Place the fiber washer over the spindle and screw on the locking nut, tightening firmly. Step 8. Place the wall flanges over the spindles; if the breech depth is insufficient a trouble dome can be used.
- Step 5. Screw the locking sleeves onto the spindles until they're firmly against the flanges.
- Step 6. Install the handles onto the spindles as per the provided instructions.
- Step 7. In the centre of the handles, mark out and drill a hole (20-25mm in diameter).
- Step 8. Insert the bench mount into the pre-drilled hole with the ½" BSP thread going in first (ensure the cover flange is in place).
- Step 9. Insert the riser body into the bench mount. Secure the riser in place by tightening the grub screw with an Allen key.
- Step 10. Turn on the water supply. Check for leaks and activate hot and cold handles on the tap to verify operation.

### GPJ5000

- Step 1. Apply adequate Teflon tape to the 1/2" BSP thread. Place the flange over the thread and screw the wall mounted elbow onto the thread.
- Step 2. Insert the riser body into the elbow. Secure the riser in place by tightening the grub screw with an Allen key.
- Step 3. Turn on the water supply. Check for leaks and verify operation.

### GPJ5600

- Step 1. Apply adequate Teflon tape to the two 1/2" BSP threads. Place the flange over the thread and screw the wall mounts onto the threads using an Allen key to ensure the fittings are tight and in-line with the centre distance of the tap.
- Step 2. Push fit the body onto the fittings. If the body does not fit easily, adjust the wall fittings slightly until the body fits. Secure the body with the four grub screws provided.
- Step 3. Insert the adaptor into the top of the exposed breach. Secure it in place by tightening the grub screw with an Allen key.
- Step 4. Insert the riser body into the adaptor. Secure the riser in place by tightening the grub screw with an Allen key.
- Step 5. Turn on the water supply. Check for leaks and activate hot and cold handles on the tap to verify operation.

# USER MANUAL

## GPJ6000

- Step 1. Mark out and drill a hole (20-25mm in diameter).
- Step 2. Insert the bench mount into the pre-drilled hole with the ½" BSP thread going in first (ensure the cover flange is in place).
- Step 3. Insert the riser body into the bench mount. Secure the riser in place by tightening the grub screw with an Allen key.
- Step 4. Turn on the water supply. Check for leaks and verify operation.

## GPJ9900

- Step 1. At the desired location for the tap installation, mark out and drill two holes (20-25mm in diameter) 215mm apart.
- Step 2. Place the tap into the pre-drilled holes with the 1/2" BSP threads going in first (ensure the cover flanges are in place).
- Step 3. From beneath the bench, push the rubber washers on to the 1/2" BSP threads. Secure the tap in place by tightening the nuts on each thread.
- Step 4. Insert the adaptor into the top of the exposed breach. Secure it in place by tightening the grub screw with an Allen key.
- Step 5. Insert the riser body into the adaptor. Secure the riser in place by tightening the grub screw with an Allen key.
- Step 6. Connect the tap to the water supply and check for leaks. Activate the hot and cold handles to verify the tap's operation.

## Cleaning & Maintenance

To minimise downtime and maximise the functional life of the product, GENTEC recommends servicing your product at least every 12 months, under heavy use may need to be checked and serviced more often.

- The product must be handled carefully to avoid causing any physical damage.
- Use the product at least once every week to ensure all parts are kept lubricated and functioning properly.
- Service the product at least once a year to avoid any product failures - The service timeline provided is based on normal use. More frequent servicing may be required for heavy usage.
- A working pressure of 350kPa is highly recommended to ensure the maximum up-time of the product.
- Regularly clean the product with a soft cloth with warm soapy water, wash off with warm water and dry off with a soft dry cloth, paying attention to removing the dust and contamination in the bends and joints is highly recommended.
- Abrasives, hard clothes, strong acids, and bleaches must be avoided when cleaning all GENTEC products.
- Installation must be completed by a qualified and licenced plumber and adhere to AS/NZS3500 and manufacturer's recommendations.

Parts	Product Name
GPJ0064C	GPURE® JETFLO S/S cartridge qtr turn suit pot filler and cold inlet
GPJ9001	25mm mixer cartridge to suit pre rinse unit
GPJ0052	GPURE® JETFLO O-Ring service kit for trigger spray gun
GPJ0068	GPURE® JETFLO O-Ring service kit for riser near pot filler
GPJ0082	GPURE® JETFLO Mixer Body Assembly with Handle and Cartridge
GPJ0074	GPURE® JETFLO Handle, Fixing Screw & Cap to suit Mixer
GPJ0061	GPURE® JETFLO Bracket for Spray Gun
GPJ0063	GPURE® JETFLO Fixing kit only for Wall Bracket
GPJ0060	GPURE® JETFLO Spring only to suit Pre-Rinse unit
GPJ0070	GPURE® JETFLO Hose only for standard Pre Rinse
GPJ0050	GPURE® JETFLO Trigger Spray Gun - 6 star 4lpm
AEM18.5-6.6L	GPURE® JETFLO Pot Filler Aerator with O-Ring
GPJ0064C	GPURE® JETFLO Stainless Steel Cartridge Qtr Turn (Red)
GPJ0065	GPURE® JETFLO Handle only for Pot Filler on Stainless Steel Pre-Rinse unit

# USER MANUAL

Parts	Product Name
GPJ0066	GPURE® JETFLO O-Ring, Fixing Plate, Washer, Nut & Stud
GPJ9010C	GPURE® JETFLO Inlet Hose for GPURE® - Cold
GPJ0052	GPURE® JETFLO O-Ring Service Kit for Trigger Spray Gun

## Troubleshooting

Problem	Cause	How to Fix
Tap is not shutting off	<ul style="list-style-type: none"> <li>• Debris</li> <li>• Grease/ lubricants</li> <li>• High pressure</li> </ul>	<ul style="list-style-type: none"> <li>• Have you flushed the water line for a minimum of 1 minute before connecting the water</li> <li>• Have you installed the strainer and flow controller if provided</li> <li>• If debris has gone through the cartridge this is more than likely to be the cause. If the ceramic disc is broken or damaged, then the cartridge must be replaced</li> <li>• Have you checked to make sure the pressure is to manufacturer's recommendations and in line with the plumbing code</li> </ul>
Issue with water flow	<ul style="list-style-type: none"> <li>• Not enough water</li> <li>• Too much/ little water</li> </ul>	<ul style="list-style-type: none"> <li>• Check for blockage in the inlet where the strainer is fitted or is the aerators blocked with debris</li> <li>• Is the isolating valve fully open on both hot and cold</li> <li>• Have got these in a bank, if so, is the inlet pipes been sized correctly</li> <li>• Has the laminar flow control been installed</li> <li>• High pressure exceeding the plumbing code will have an effect on the product and must not exceed 500kPa</li> <li>• Ensure the flexi hose is not kinked/ twisted</li> </ul>

Problem	Cause	How to Fix
Not enough water	<ul style="list-style-type: none"> <li>Taps installed in a bank or a trough</li> </ul>	<ul style="list-style-type: none"> <li>Ensure the main pipe size is sized correctly to ensure adequate water is able to service the taps installed in a bank or a trough</li> </ul>
The tap is leaking	<ul style="list-style-type: none"> <li>Debris</li> </ul>	<ul style="list-style-type: none"> <li>Have you flushed your water lines</li> <li>If rubbish has gone through the cartridge, there is a high chance</li> <li>Tighten cartridge lock nut</li> </ul>
No water	<ul style="list-style-type: none"> <li>Isolating valve is off</li> </ul>	<ul style="list-style-type: none"> <li>Ensure the Isolating valve is turned on</li> </ul>
No water is coming out of the spray	<ul style="list-style-type: none"> <li>Washer may be crushed during installation</li> </ul>	<ul style="list-style-type: none"> <li>We recommend that you turn the mixer handle to the off position and dismantle the hose from the riser, check the sealing washer is not crushed, turn on the water slightly to make sure water is coming out. Then if so, repeat the install process, put the sealing washer flat then apply lock seal tape and fit again in position, and then check for leaks and or to make sure the water is now spraying out of the spray</li> </ul>
Which side should I install the handle on	<ul style="list-style-type: none"> <li>Left or middle</li> </ul>	<ul style="list-style-type: none"> <li>It is highly recommended to install the handle on the right-hand side, indicator will be correct and the handle will not be in the way of pots and pans and will alleviate any damages to the cartridge</li> </ul>
Hose is blown or leaking	<ul style="list-style-type: none"> <li>Tap not turned off when not in use</li> </ul>	<ul style="list-style-type: none"> <li>It is recommended, especially if pressure exceed manufacturer's recommendations and the plumbing code of Australia</li> </ul>
Do I need to install the wall bracket	<ul style="list-style-type: none"> <li>What would happen if I don't</li> </ul>	<ul style="list-style-type: none"> <li>The weight bearing will affect the unit, it is very important to install the wall bracket at all times</li> </ul>
Can I mount product through racks	<ul style="list-style-type: none"> <li>What would happened if I do</li> </ul>	<ul style="list-style-type: none"> <li>If the product is mounted through racks, then the risk of the user damage to the unit is high. The product must be clear of obstructions to avoid any damages to the product</li> </ul>
How often do I need to service my tap	<ul style="list-style-type: none"> <li>Prevent product failure</li> </ul>	<ul style="list-style-type: none"> <li>Service and maintenance of the main operating parts is recommended as this will prolong the life of the product</li> </ul>

# USER MANUAL

## Water Quality

### Maximum chloride Cl- level Guidelines in plumbing systems

	Cold Water	Hot Water
Grade 304L	200	50
Grade 316L	1000	250

When materials may be used in either hot or cold water lines, the guidelines for hot water should be used.

Within these guidelines at ambient temperatures and provided the pH >~6, any negative effect to stainless steel will be unlikely.

Note: Chlorides in water - where the density of the solvent (water) is 1 (which it is to within 0.1% at ambient temperatures), then mg/L = ppm.

For brass products, please ensure the chlorine and chloramines levels are not more than 0.4 ppm.

Please ensure that the water quality supplied to the fixtures meets safe drinking standards to prevent potential staining of the product.

### Chlorine guidelines (not to be confused with chloride)

- 304L suitable for chlorine levels up to 2ppm.
- Short term dosing, for example 25-50ppm, for sterilisation purposes of 24-48 hours acceptable if effectively flushed through afterwards.
- Sterilisation is essential during commissioning of potable water systems.

Reference: <https://www.assda.asn.au/component/content/article?id=271:chlorine-and-chloride--same-element,-very-different-effect>

## Responsibly Sourced



### Reduce Carbon Footprint

GENTEC is rejuvenating the product- no power, less maintenance and longer life.

### Rejuvenation Program

To learn more about the rejuvenation program, please contact our customer service at [info@gentecaustralia.com.au](mailto:info@gentecaustralia.com.au) for more information.

### Ethically and Environmentally Sourced

Please refer to GENTEC Business Ethics & Ethical Sourcing Policy at <https://gentecaustralia.com.au/terms-and-conditions/>





---

A: Unit 6, 20-28 Ricketty St,  
Mascot, Sydney, NSW 2020

E: [info@gentecaustralia.com.au](mailto:info@gentecaustralia.com.au)

P: +612 9319 4422

F: +612 8088 7635

Gentec products come with a Manufacturer's Warranty. To ensure the validity of this warranty, Gentec products must be installed following the provided installation instructions and adhering to AS 3500, NCC Volume Three, relevant Australian Standards, and any local authority requirements applicable to the product. Additionally, water and electrical supply conditions must meet the appropriate national and/or state standards. Non-compliance with these provisions may void the warranty and impact product performance.

Note: The information provided is only a guide, actual product may differ. The information here should not be relied on without clarification with Gentec. Gentec reserves the right to make design changes at any time without notification.

\*Subject to terms and conditions. For detailed warranty information, installation compliance, maintenance and cleaning guidelines, and other relevant details, please visit <https://gentecaustralia.com.au>

[gentecaustralia.com.au](https://gentecaustralia.com.au)