

USER MANUAL

ECOSAFE Safety Shower and Eyewash

- **ECO1000EXP** - Zero Lead Stainless Steel 304 Floor Mounted Combination Safety Shower / Eyewash
- **ECO1000FPEXP** - Zero Lead Stainless Steel 304 Floor Mounted Combination Safety Shower / Eyewash w/ Foot Pedal
- **ECO4000EXP** - Zero Lead Stainless Steel 304 Floor Mounted Eyewash
- **ECO4000FPEXP** - Zero Lead Stainless Steel 304 Floor Mounted Eyewash w/ & Foot Pedal
- **ECO4010EXP** - Zero Lead Stainless Steel 304 Wall Mounted Eyewash
- **ECO2000EXP** - Zero Lead Stainless Steel 304 Wall Mounted Safety Shower
- **ECO2010EXP** - Zero Lead Stainless Steel 304 Ceiling Mounted Safety Shower
- **ECO2020EXP** - Zero Lead Stainless Steel 304 Floor Mounted Showerhead Safety Shower



Disclaimer: Stainless Steel Grade 304 is manufactured with ZERO Lead.

AS 4775:2007
License No. AMI 74767

gentcaustralia.com.au

USER MANUAL

Table of Contents

Scope of Use	2
Technical Information	3
Product Images & Technical Drawings	5
Installation Steps	9
Water Quality	18
Troubleshooting	18
Cleaning & Maintenance	19
Responsibly Sourced	19

Scope of Use

Installation of all products should adhere to the manufacturer's guidelines, as well as comply with PCA, AS/NZS3500, AS4775 standards, and any other relevant regulatory provisions.

This product range complies with the Lead Free requirements of the National Construction Code Volume Three.

- **Installation:** Refer to the installation instructions included within this manual
- **Water quality:** Water quality must be ensured for emergency shower and eyewash.
- **Suitable for indoor and outdoor use.**
- **Mounting:** Floor, wall or ceiling mounted installation.

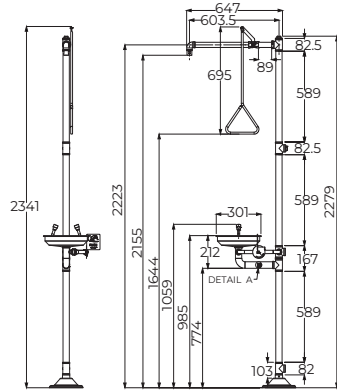
Technical Information

Description	ECO1000EXP	ECO1000FPEXP	ECO4000EXP	ECO4000FPEXP
Product Type	Safety Shower and Eyewash	Safety Shower and Eyewash with Foot Pedal	Safety Eyewash	Safety Eyewash with Foot Pedal
Colour / Finish	Polished	Polished	Polished	Polished
Material	Zero Lead Stainless Steel 304	Zero Lead Stainless Steel 304	Zero Lead Stainless Steel 304	Zero Lead Stainless Steel 304
	Sign: Plastic	Sign: Plastic	Sign: Plastic	Sign: Plastic
Cartridge Type	Ball Valve	Ball Valve	Ball Valve	Ball Valve
Cartridge Size	15mm / 25mm	15mm / 25mm	15mm	15mm
Inlet	32mm Female	32mm Female	15mm Female	15mm Female
Flow Style	Cyclonic & Aerated Eyewash Flow	Cyclonic & Aerated Eyewash Flow	Aerated Flow	Aerated Flow
Min. Working Pressure	210kPa	210kPa	210kPa	210kPa
Max. Working Pressure	500kPa	500kPa	500kPa	500kPa
Recommended Working Pressure	350kPa	350kPa	350kPa	350kPa
Min. Working Temperature	16°C	16°C	16°C	16°C
Max. Working Temperature	38°C	38°C	38°C	38°C
Height	2400mm	2400mm	1000mm	1000mm
Clearance	2200mm	2200mm	1500mm	N/A
Reach	635mm	635mm	N/A	N/A

USER MANUAL

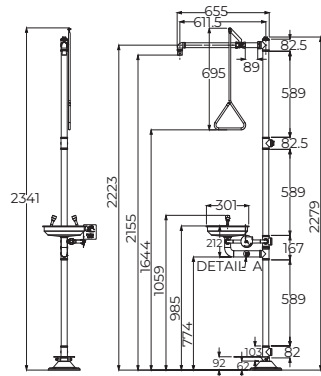
Description	ECO4010EXP	ECO2000EXP	ECO2010EXP	ECO2020EXP
Product Type	Safety Eyewash	Safety Shower	Safety Shower	Safety Shower
Colour / Finish	Polished	Polished	Polished	Polished
Material	Zero Lead Stainless Steel 304	Zero Lead Stainless Steel 304	Zero Lead Stainless Steel 304	Zero Lead Stainless Steel 304
	Sign: Plastic	Sign: Plastic	Sign: Plastic	Sign: Plastic
Cartridge Type	Ball Valve	Ball Valve	Ball Valve	Ball Valve
Cartridge Size	15mm	25mm	25mm	25mm
Inlet	15mm Female	25mm Male	25mm Male	32mm Female
Flow Style	Aerated Flow	Cyclonic	Cyclonic	Cyclonic
Min. Working Pressure	210kPa	210kPa	210kPa	210kPa
Max. Working Pressure	500kPa	500kPa	500kPa	500kPa
Recommended Working Pressure	350kPa	350kPa	350kPa	350kPa
Min. Working Temperature	16°C	16°C	16°C	16°C
Max. Working Temperature	38°C	38°C	38°C	38°C
Height	Suggested Height Refer to AS4775	Suggested Height Refer to AS4775	Suggested Height Refer to AS4775	Suggested Height Refer to AS4775
Clearance	Suggested Height Refer to AS4775	Suggested Height Refer to AS4775	Suggested Height Refer to AS4775	2150mm
Reach	N/A	N/A	N/A	635mm

Product Images & Technical Drawings



ECO1000EXP

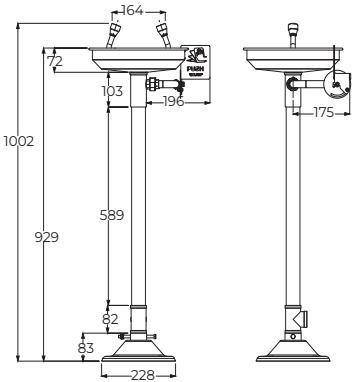
Zero Lead Stainless Steel 304 Floor Mounted Combination Safety Shower / Eyewash



ECO1000FPEXP

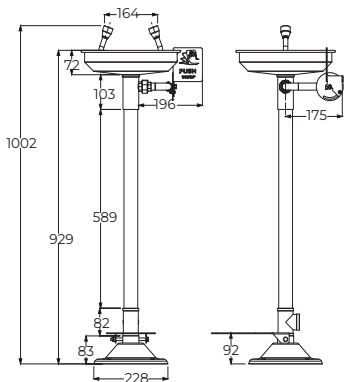
Zero Lead Stainless Steel 304 Floor Mounted Combination Safety Shower / Eyewash w/ Foot Pedal

USER MANUAL



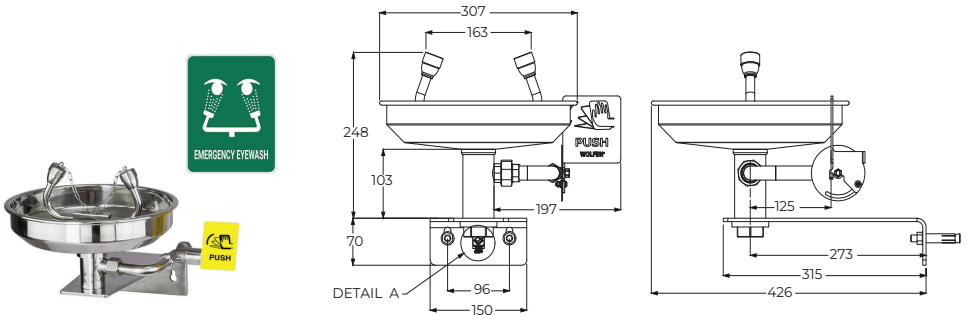
ECO4000EXP

Zero Lead Stainless Steel 304 Floor Mounted Eyewash



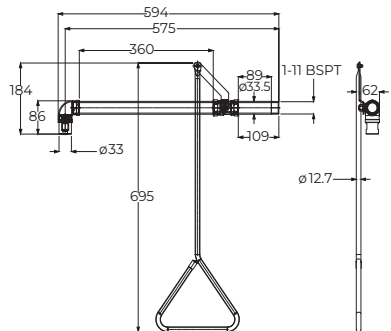
ECO4000FPEXP

Zero Lead Stainless Steel 304 Floor Mounted Eyewash w/ & Foot Pedal



ECO4010EXP

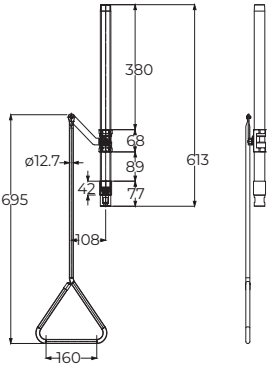
Zero Lead Stainless Steel 304 Wall Mounted Eyewash



ECO2000EXP

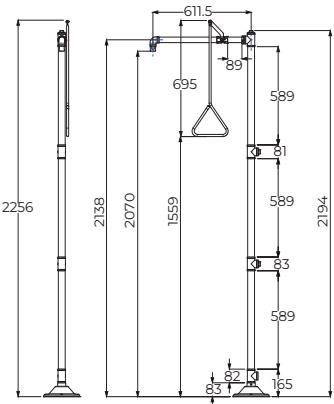
Zero Lead Stainless Steel 304 Wall Mounted Safety Shower

USER MANUAL



ECO2010EXP

Zero Lead Stainless Steel 304 Ceiling Mounted Safety Shower



ECO2020EXP

Zero Lead Stainless Steel 304 Floor Mounted Showerhead Safety Shower

Note: Dimensions are provided as a guide and are subject to manufacturing tolerances.

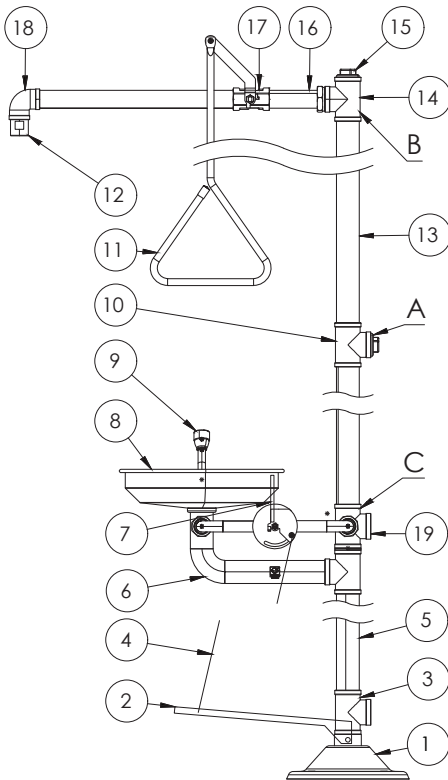
Installation Steps

BEFORE SETUP, MAKE SURE:

1. The safety shower and eyewash should be installed in close proximity to potential accident areas.
2. The unit must be free from obstructions and should be easy to access.
3. The minimum recommended line size 1-1/4" BSP.
4. Working pressure is 210 kPa - 500 kPa and the recommended working pressure is 350 kPa.
5. An inlet filter is recommended in case of sediment and mineral content.
6. Before installing the eyewash, check for any debris or excess Teflon that could block the nozzle of the eyewash.
7. The eyewash flow shall be positioned with the flushing fluid nozzles at 838mm or more and not more than 1143mm from the surface on which the user stands and should be at least 153mm away from the wall or nearest obstruction.
8. Test the shower before using.

USER MANUAL

ECO1000EXP, ECO1000FPEXP EXPLODED DRAWING



No.	Product Code	Qty.
01	Base	1
02	Foot Pedal (For ECO1000FPEXP only)	1
03	1-1/4 Drain Tee	1
04	Chain for Foot Pedal	1
05	Drain Pipe	1
06	Eyewash Assembly	1
07	Eyewash Push Valve	1
08	Eyewash Basin	1
09	Eyewash Sprinkler	1
10	1-1/4 Inlet Tee (A)	1
11	Shower Rod	1
12	Shower Head	1
13	Inlet Pipe	1
14	1-1/4 Inlet Tee (B)	1
15	Tee Cap	1
16	1 Inch Shower Pipe	1
17	Shower Hand Valve	1
18	Shower Bend	1
19	1-1/4 Inlet Tee (C)	1

NOTE: Inlet C is the default inlet. Inlets A or B can be used if preferred.

ECO1000EXP, ECO1000FPEXP INSTALLATION STEPS

- | | |
|---|---|
| <p>Step 1. Mount base plate to the floor, mark the holes for the screws drill and screw the base plate securely to the floor.</p> <p>Note: For foot pedal use, ensure the bolt hole orientation.</p> <p>Step 2. Apply Loxal to the thread of the (BOTTOM PIPE) and screw it to the base plate.</p> <p>Step 3. Apply adequate thread tape on top of the drainpipe thread and screw on the eyewash assembly (ensure the inlet is facing the rear).</p> <p>Step 4. Attach eyewash bowl over the eyewash assembly ensure the rubber washer is in place, apply adequate thread tape to the eye wash nozzle and screw into the eyewash assembly, (ensure the nozzles are facing the correct orientation).</p> <p>Step 5. Apply adequate thread tape to the (MIDDLE PIPE) thread and screw it to the top of the eye wash assembly.</p> | <p>Step 6. Apply adequate thread tape to the (TOP PIPE) thread and screw it to the (MIDDLE PIPE), ensure the Tee outlet is facing front.</p> <p>Step 7. Apply adequate thread tape to the shower arm and screw it to the (TOP PIPE), ensure the shower head is facing downwards.</p> <p>Step 8. Assemble pull handle to the ball valve lever and screw it together. The ball valve lever should be 10 o'clock position when closed and pulled down to activate.</p> <p>Step 9. Attach water supply to the inlet and check for leaks.</p> <p>Step 10. Activate the push handle for the eyewash check and adjust the flow if necessary, adjustment nozzles are located in between the nozzles, a template (included) can be used for the correct water flow.</p> <p>Step 11. Activate pull handle to verify shower operation.</p> |
|---|---|

ECO1000FPEXP FOOT PEDAL INSTALLATION STEPS

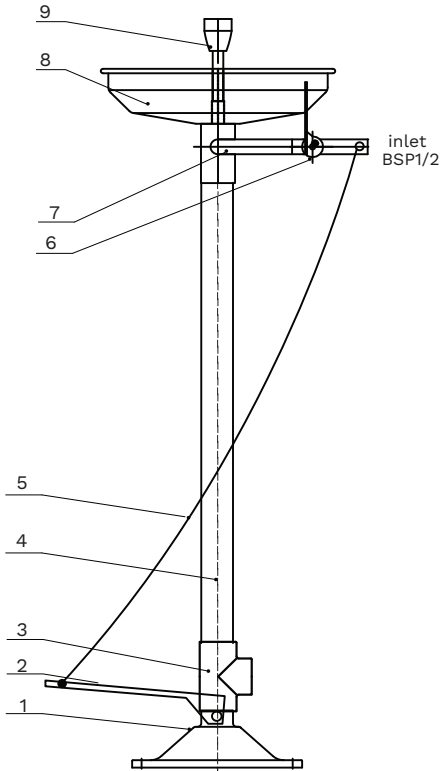
For installing the foot pedal connection to the push handle:

- Step 1. Screw the foot pedal to the base (1).
- Step 2. Connect the chain between the push handle (6) and pedal (2).

The push handle must be upright and the pedal should be raised when in a closed position.

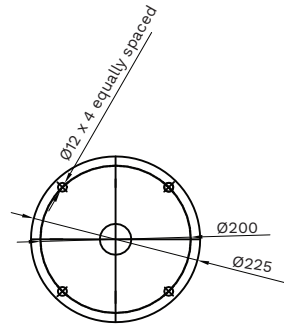
USER MANUAL

ECO4000EXP, ECO4000FPEXP EXPLODED DRAWING



No.	Product Code	Qty.
01	Base	1
02	Foot Pedal (For ECO4000FPEXP only)	1
03	1-1/4 Drain Tee	1
04	Drain Pipe	1
05	Chain	1
06	Eyewash Push Valve	1
07	Hand Push Valve Body	1
08	Eyewash Basin	1
09	Eyewash Sprinkler	1

Figure 1



ECO4000EXP, ECO4000FPEXP INSTALLATION STEPS

- Step 1. Mount base plate (1) on the floor, mark the holes for the screws. Drill and screw the base plate securely to the floor. (Dynabolts provided).
- Note: For foot pedal use, ensure the bolt hole orientation.
- Step 2. Apply Loxeal to the thread of the base plate and screw on drain pipe. For foot pedal model, ensure the Tee is facing correct direction.
- Step 3. Apply adequate thread tape to the top of the drain pipe thread and screw on the eyewash assembly (ensure the inlet is facing the rear).
- Step 4. Attach eyewash bowl over the eyewash assembly, ensure rubber washer is in place, apply adequate thread tape to the eyewash nozzle and screw into the eye wash assembly (ensure eyewash is facing the correct orientation)
- Step 5. Attach water supply to the inlet and check for leaks.
- Step 6. Activate the push handle for the eyewash and check the water flow. If necessary, adjustment screws are located in between the nozzles. A template (included) can be used for the correct water flow.

ECO4000FPEXP FOOT PEDAL INSTALLATION STEPS

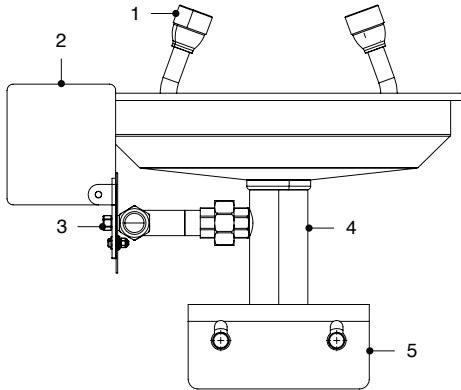
For installing the foot pedal connection to the push handle:

- Step 1. Screw the foot pedal to the base (1).
- Step 2. Connect the chain between the push handle (6) and pedal (2).

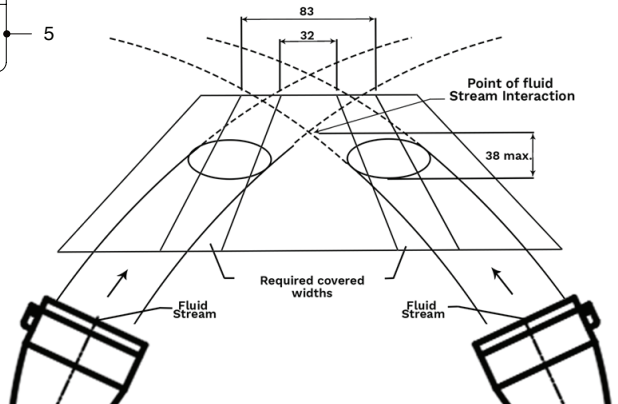
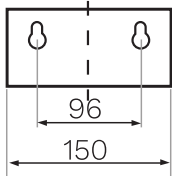
The push handle must be upright and the pedal should be raised when in a closed position.

USER MANUAL

ECO4010EXP EXPLODED DRAWING



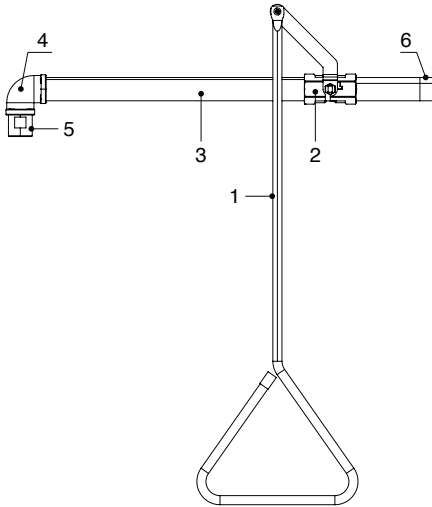
No.	Product Code	Qty.
01	Eyewash Sprinkler	2
02	Hand Push Plate	1
03	Eyewash Push Valve	1
04	Non Standard Tee	1
05	Wall Mounted Plate	1



ECO4010EXP INSTALLATION STEPS

- Step 1. Drill the wall in adherence to AS/NZ 4775 (make sure the wall-surface can hold the eyewash bracket).
- Step 2. Mount wall bracket to wall securely in adherence to AS/NZ 4775.
- Step 3. Screw eyewash assembly to wall bracket.
- Step 4. Screw on the eyewash assembly from underneath with the lock nut (ensure the inlet is facing the rear).
- Step 5. Attach water supply to the inlet and check for leaks.
- Step 6. Activate the push handle for the eyewash and check the water flow.
- Step 7. Adjust the water flow by screwing/unscrewing the screw located in between the nozzles.

ECO2000EXP EXPLODED DRAWING



No.	Product Code	Qty.
01	Shower Rod	1
02	Shower Hand Valve	1
03	1" Shower Pipe	1
04	Shower Bend	1
05	Shower Head	1
06	1-1/4 x 1" Nipple	1

ECO2000EXP INSTALLATION STEPS

Step 1. Measure the shower height and it must be in accordance with AS/NZ 4775.

Step 2. Apply adequate thread tape and connect to the wall water supply.

Step 3. Screw the pull handle to the ball valve lever.

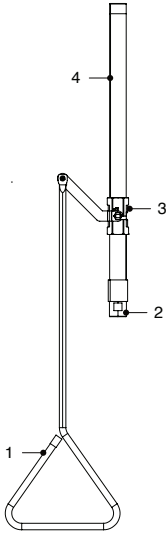
Note: Ball valve lever should be in the 10 o'clock position when closed and pulled down to activate.

Step 4. Turn on water supply check for leaks.

Step 5. Activate pull down handle and verify shower operation.

USER MANUAL

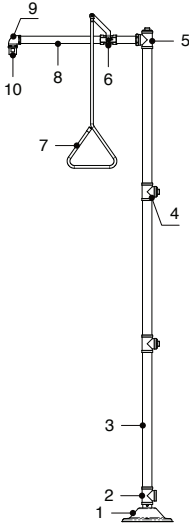
ECO2010EXP EXPLODED DRAWING



No.	Product Code	Qty.
01	Shower Rod	1
02	Shower Head	1
03	Shower Hand Valve	1
04	1" Shower Pipe	1

ECO2010EXP INSTALLATION STEPS

- Step 1.** Apply adequate thread tape and connect to the water supply.
- Step 2.** Screw the handle to the ball valve. The lever should be facing towards the ceiling when closed. The handle can be pulled down to activate the shower.
- Step 3.** Turn on water supply check for leaks.
- Step 4.** Activate pull down handle to verify shower operation.

ECO2020EXP EXPLODED DRAWING


No.	Product Code	Qty.
01	Base	1
02	Pipe Bands	2
03	Inlet Pipe	3
04	Inlet Tee	1
05	Tee	1
06	Shower Hand Valve	1
07	Shower Rod	1
08	1" Shower Pipe	1
09	Shower Bend	1
10	Shower Head	1

ECO2020EXP INSTALLATION STEPS

- Step 1. Mount base plate to the floor, mark the holes for the screws drill and screw the base plate securely to the floor.
- Note: For foot pedal use, ensure the bolt hole orientation.
- Step 2. Apply Loxal to the thread of the (BOTTOM PIPE) and screw it to the base plate.
- Step 3. Apply adequate thread tape on top of the drainpipe thread (BOTTOM PIPE) and screw on the (MIDDLE PIPE), (ensure the inlet is facing the rear).
- Step 4. Apply adequate thread tape to the (TOP PIPE) thread and screw it to the (MIDDLE PIPE), ensure the Tee outlet is facing front.
- Step 5. Apply adequate thread tape to the shower arm and screw it to the (TOP PIPE), ensure the shower head is facing downwards.
- Step 6. Assemble pull handle to the ball valve lever and screw it together. The ball valve lever should be 10 o'clock position when closed and pulled down to activate.
- Step 7. Attach water supply to the inlet and check for leaks.
- Step 8. Activate pull handle to verify shower operation.

USER MANUAL

Water Quality

Maximum chloride Cl- level Guidelines in plumbing systems

	Cold Water	Hot Water
Grade 304L	200	50
Grade 316L	1000	250

When materials may be used in either hot or cold water lines, the guidelines for hot water should be used.

Within these guidelines at ambient temperatures and provided the pH >~6, any negative effect to stainless steel will be unlikely.

Note: Chlorides in water - where the density of the solvent (water) is 1 (which it is to within 0.1% at ambient temperatures), then mg/L = ppm.

For brass products, please ensure the chlorine and chloramines levels are not more than 0.4 ppm.

Please ensure that the water quality supplied to the fixtures meets safe drinking standards to prevent potential staining of the product.

Chlorine guidelines (not to be confused with chloride)

- 304L suitable for chlorine levels up to 2ppm.
- 316L suitable for chlorine levels up to 5ppm.
- Short term dosing, for example 25-50ppm, for sterilisation purposes of 24-48 hours acceptable if effectively flushed through afterwards.
- Sterilisation is essential during commissioning of potable water systems.

Reference: <https://www.assda.asn.au/component/content/article?id=271:chlorine-and-chloride--same-element,-very-different-effect>

Troubleshooting

Problem	Cause	How to Fix
Ball valve not shutting off	<ul style="list-style-type: none">• Rusting of ball valve. This occurs when the product is not used regularly	<ul style="list-style-type: none">• Ball valve has seized, needs to be replaced• Maintain regular cleaning
Temperature of water is too hot or too cold	<ul style="list-style-type: none">• External weather conditions affecting pipework• Inlet water has no temperature control in place	<ul style="list-style-type: none">• The optimum temperature can be obtained using anti scald/ freeze valves

Cleaning & Maintenance

To minimise downtime and maximise the functional life of the product, GENTEC recommends servicing your product at least every 12 months, under heavy use may need to be checked and serviced more often.

- The product must be handled carefully to avoid causing any physical damage.
- Use the product at least once every week to ensure all parts are kept lubricated and functioning properly.
- Service the product at least once a year to avoid any product failures - The service timeline provided is based on normal use. More frequent servicing may be required for heavy usage.
- A working pressure of 350kPa is highly recommended to ensure the maximum up-time of the product.
- Regularly clean the product with a soft cloth with warm soapy water, wash off with warm water and dry off with a soft dry cloth, paying attention to removing the dust and contamination in the bends and joints is highly recommended.
- Abrasives, hard clothes, strong acids, and bleaches must be avoided when cleaning stainless steel products.
- Installation must be completed by a qualified and licenced plumber and adhere to AS/NZS3500 and manufacturer's recommendations.

Parts	Product Name
ECO5013	ECOSAFE Freeze protection valve
ECO5012SS	ECOSAFE SS Scald protection valve full open 40.5°C - Full Close - 35°C

Responsibly Sourced



Reduce Carbon Footprint

GENTEC is rejuvenating the product- no power, less maintenance and longer life.

Rejuvenation Program

To learn more about the rejuvenation program, please contact our customer service at info@gentecaustralia.com.au for more information.

Ethically and Environmentally Sourced

Please refer to GENTEC Business Ethics & Ethical Sourcing Policy at <https://gentecaustralia.com.au/terms-and-conditions/>



A: Unit 6, 20-28 Ricketty St,
Mascot, Sydney, NSW 2020

E: info@gentecaustralia.com.au

P: +612 9319 4422

F: +612 8088 7635

Gentec products come with a Manufacturer's Warranty. To ensure the validity of this warranty, Gentec products must be installed following the provided installation instructions and adhering to AS 3500, NCC Volume Three, relevant Australian Standards, and any local authority requirements applicable to the product. Additionally, water and electrical supply conditions must meet the appropriate national and/or state standards. Non-compliance with these provisions may void the warranty and impact product performance.

Note: The information provided is only a guide, actual product may differ. The information here should not be relied on without clarification with Gentec. Gentec reserves the right to make design changes at any time without notification.

*Subject to terms and conditions. For detailed warranty information, installation compliance, maintenance and cleaning guidelines, and other relevant details, please visit <https://gentecaustralia.com.au>

gentecaustralia.com.au