

# USER MANUAL

## GPURE® FLOSTOP Stainless Steel Taps



- **GPT7000** - Zero Lead Stainless Steel 316 Wall Mounted Single Temperature Timed Flow Bib Tap
- **GPT7500** - Zero Lead Stainless Steel 316 Hob Mounted Angled Single Temperature Timed Flow Pillar Tap



### Table of Contents

Scope of Use	2
Technical Information	2
Product Images & Technical Drawings	3
Exploded Drawings	4
Installation Steps	5
Time Adjustment	7
Cleaning & Maintenance	8
Troubleshooting	10
Water Quality	11
Responsibly Sourced	12



\*Disclaimer: Stainless Steel Grade 316 is manufactured with ZERO\* Lead.

gentecaustralia.com.au

# USER MANUAL

## Scope of Use

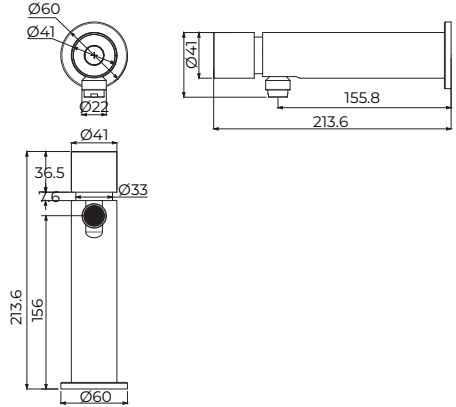
Installation of all products should adhere to the manufacturer's guidelines, as well as comply with PCA, AS/NZS3500 standards, and any other relevant regulatory provisions. This product range complies with the Lead Free requirements of the National Construction Code Volume Three.

- **Installation:** Refer to the installation instructions included within this manual
- **Water quality:** In line strainer (supplied) must be installed to ensure water quality
- **Suitable for indoor and outdoor use:** GPURE FLOSTOP
- **Temperature recommendation:**
  - Single temperature up to 50°C
  - Dual temperature up to 80°C
  - Minimum temperature: 5°C
- **Mounting:** Wall, bench or in line installation

## Technical Information

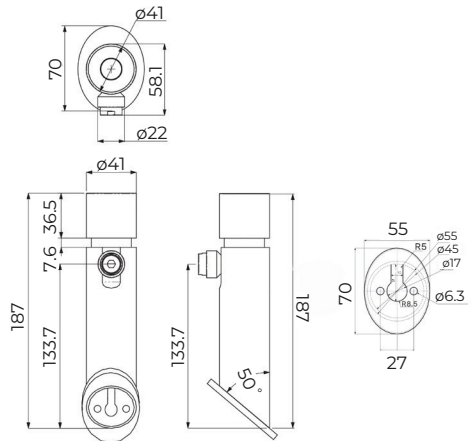
Body Material	Stainless Steel (SS316)
Cartridge	Timed Flow (Hydraulic)
Inlet	GPT7000: 15mm Female Connection (G1/2" BSP) GPT7500: 15 mm Female Flexible Connections (G1/2" BSP)
Outlet	Laminar Flow
Run Time	2-40 (+/-5) seconds (Adjustable)
Working Pressure	150kPa - 500kPa
Manufacturers Recommended Pressure	350 kPa
Working Temperature	Min. 5°C - Max. 50°C
Finish	Polished Stainless Steel
Servicing	Preventative Maintenance

## Product Images & Technical Drawings



### GPT7000

Zero Lead Stainless Steel 316 Wall Mounted Single Temperature Timed Flow Bib Tap



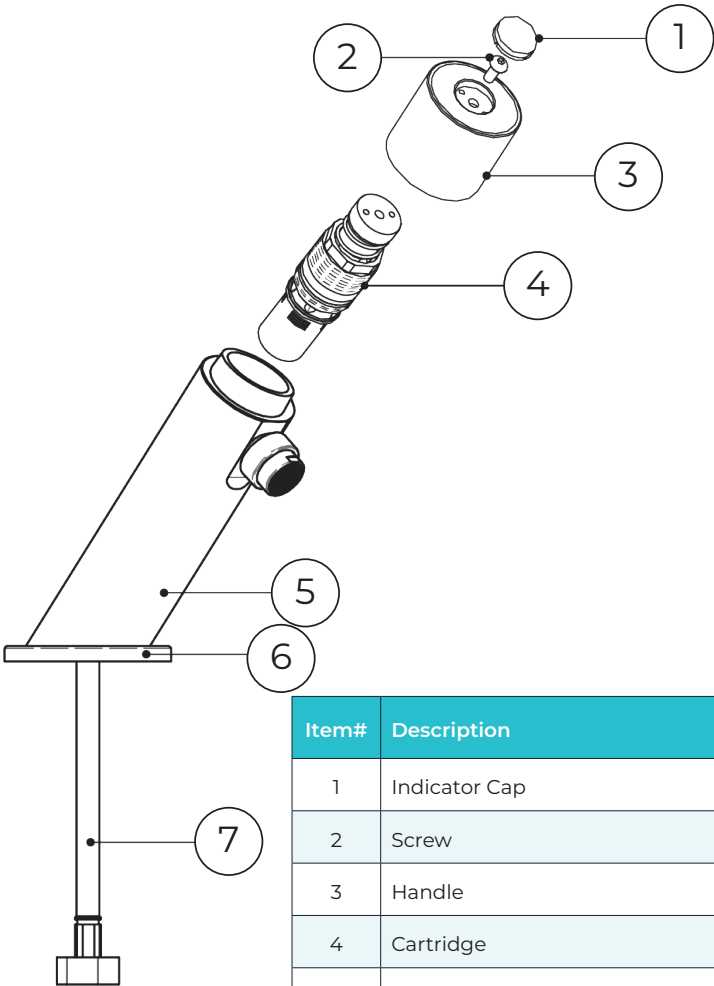
### GPT7500

Zero Lead Stainless Steel 316 Hob Mounted Angled Single Temperature Timed Flow Pillar Tap

Note: Dimensions are provided as a guide and are subject to manufacturing tolerances.

# USER MANUAL

## Exploded Drawings



Item#	Description	Spare Parts
1	Indicator Cap	<input type="checkbox"/>
2	Screw	<input type="checkbox"/>
3	Handle	<input type="checkbox"/>
4	Cartridge	<input type="checkbox"/>
5	Body	<input type="checkbox"/>
6	Flange	<input type="checkbox"/>
7	Flexible Hose	<input type="checkbox"/>
8	O-Ring Kit	Preventative Maintenance <input checked="" type="checkbox"/>

# Installation Steps

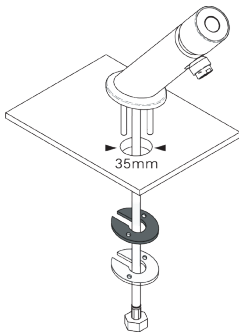
## PILLAR TAPS - GPT7500

Step 1. Remove flange, rubber seal, fixing plate and nuts.

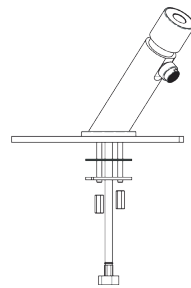
Step 2. Connect the flexible hose. Care must be taken to not twist the hose so that it does not kink during assembly.



Step 3. Assemble the flange to the base of the tap then feed the flexible hose through the pre-formed hole in the sink or basin. Pre-formed hole size must be 35mm in diameter.



Step 4. From underneath the sink or basin, fix rubber seal, fixing plate and fixing nuts use socket set or tube spanner to clamp the tap onto the sink/ basin. Ensure the tap set is firmly attached to the sink or basin.



Step 5. Flush the water supply pipework prior to installation. Connect the flexible hose to an isolating stop valve. Turn on water supply and verify operation.

### Important Information

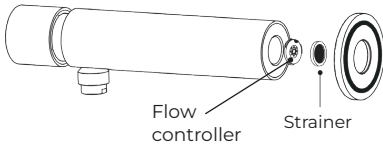
Warranty may be void if damage to internal components or spare part occurs during service/ maintenance.

# USER MANUAL

## BIB TAPS - GPT7000

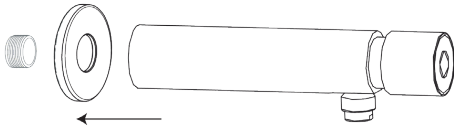
Step 1. Flush the water supply pipework prior to installation.

Step 2. Ensure the strainer and flow controller are installed prior to connection.



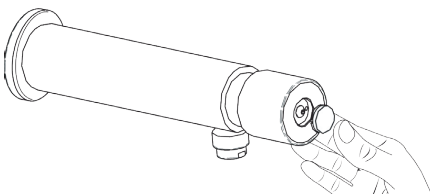
Step 3. Apply adequate thread tape to the wall fitting.

Step 4. Place the flange and screw to the wall fitting. Note: Ensure that thread tape does not foul the inlet, strainer and timed flow headwork).



Step 5. Tighten using a strap wrench and ensure the outlet is facing downwards. Turn on water supply. Check for leaks then activate tap to verify operation.

Step 6. Select the desired colour indicator and push into the handle.



## WATER SUPPLY

Where multiple taps may be installed off the one service line, ensure that water supply pipe sizing and available pressure meets the requirements of the installation and AS/NZS3500 to ensure optimum performance.

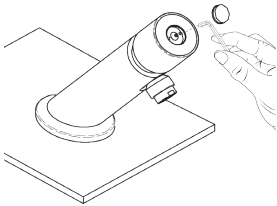
Min Continuous Flow Working Pressure	50kPa
Max Continuous Flow Working Pressure	500kPa
Optimum Flow Working Pressure	350Kpa
Max Static Pressure	500kPa
Min Continuous Working Temperature	5°C
Max Continuous Working Temperature	50°C

# Time Adjustment

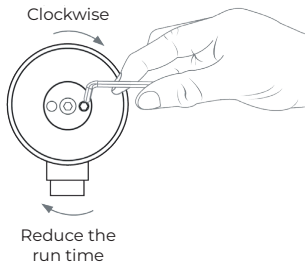
## ADJUSTING CARTRIDGE TIMING (2 TO 40 SECONDS)

To adjust the timing of the cartridge, remove the colour indicator. The grub screw may now be adjusted to vary the run time.

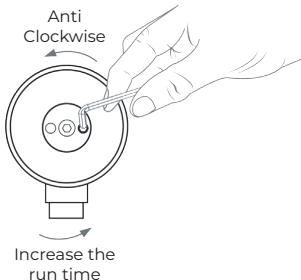
Step 1. You will need to use a 1.5mm allen key to adjust the timing.



Step 2. Turning the screw clockwise will reduce the run time.



Step 3. Turning the screw anti-clockwise will increase the run time.



**Timed Adjustment Range- From 2 to 40 Seconds**

Contact GENTEC before attempting to change the flow cups.

Warranty may be void if damage to internal components or spare parts occurs during service / maintenance.

GPURE® is available in a range of fixed timing options which are installed ex-works.

Refer to the chart below:

Flow Control Cup	Description
TFT9050	Flow cup 0 - 5 +/-1 Sec
TFT9056	Flow cup 0-20 +/-5 Sec
TFT9054	Flow cup 0-40 +/-10 Sec

# USER MANUAL

## Cleaning & Maintenance

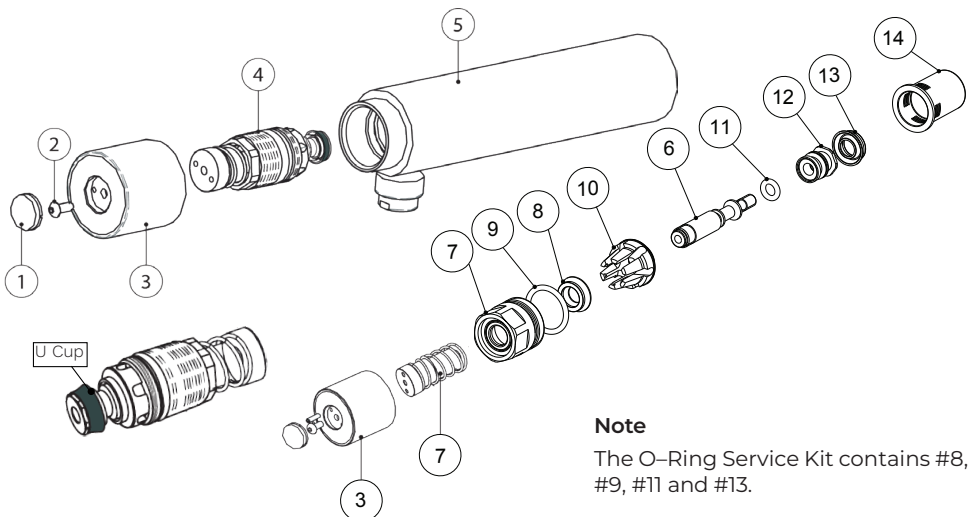
To minimise downtime and maximise the functional life of the product, GENTEC recommends servicing your product at least every 12 months, under heavy use may need to be checked and serviced more often.

- The product must be handled carefully to avoid causing any physical damage.
- Use the product at least once every week to ensure all parts are kept lubricated and functioning properly.
- Service the product at least once a year to avoid any product failures - The service timeline provided is based on normal use. More frequent servicing may be required for heavy usage.
- A working pressure of 350kPa is highly recommended to ensure the maximum up-time of the product.
- Regularly clean the product with a soft cloth with warm soapy water, wash off with warm water and dry off with a soft dry cloth, paying attention to removing the dust and contamination in the bends and joints is highly recommended.
- Abrasives, hard clothes, strong acids, and bleaches must be avoided when cleaning all GENTEC products.
- Installation must be completed by a qualified and licenced plumber and adhere to AS/NZS3500 and manufacturer's recommendations.

### Important Information

For optimum performance, periodically remove the tap from its installation, inspect and clean the strainer. If debris is present in the strainer it is recommended to flush the water supply pipework.

### O-RING KIT SERVICE



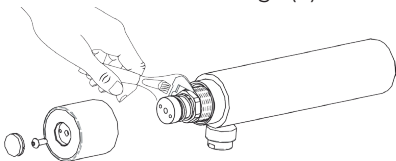


No.	Product Code	Qty.
01	Indicator	1
02	Screw	1
03	Handle	1
04	Cartridge	1
05	Body	1
06	Stem	1
07	Head Valve	1
08	U cup	1
09	O-Ring	1
10	Crown Ring	1
11	O-Ring	1
12	Stopper	1
13	U Cup	1
14	Flow Cup	1

Service and maintenance must be undertaken by a suitably qualified plumber. Warranty may be void if damage to internal components occurs during this procedure.

First start by shutting off the main water supply.

- Step 1. Remove the indicator (1).
- Step 2. Undo the screw (2) and remove the handle (3).
- Step 3. Undo the head valve (7) and remove the cartridge (4).



- Step 4. Undo the stopper (12).
- Step 5. Set aside the crown ring (10).
- Step 6. Set aside the head valve (7) from the stem.
- Step 7. Remove the U Cup (8) from the head valve (7) and replace with the new U Cup (8).
- Step 8. Remove the U Cup (13) from the stopper (12) and replace it with the new U Cup.
- Step 9. Remove the O-Ring (11) and replace it with the new "O" Ring (11).
- Step 10. Remove the O-Ring (9) and replace it with the new O-Ring (9).
- Step 11. Using the existing crown ring (10) place it back into the head valve (7).
- Step 12. Place the stem (6) through the head valve (7).
- Step 13. Replace the stopper (12), ensure the O-Ring (11) is in place, then tighten the stopper (12). Do not over tighten.
- Step 14. Fit the cartridge back into the body and tighten. **Do not overtighten.**
- Step 15. Replace the handle (3) tighten the screw (2) and place back the indicator.  
Note: Ensure there is no grime build up inside the handle.

#### Important Information

To minimise the risk of malfunction, apply a drop of Loxeal or another thread locker to the thread of stem (6) in high use applications.

Do not apply any form of lube or grease inside flow cup (14) or U cup (8, 13).

# USER MANUAL

## Troubleshooting

Problem	Cause	How to Fix
Tap is not shutting off	<ul style="list-style-type: none"> <li>• Debris</li> <li>• Grease/ lubricant</li> <li>• High pressure</li> </ul>	<ul style="list-style-type: none"> <li>• Is the cartridge tight</li> <li>• Have you flushed the water line for a minimum of 1 minute before connecting the water</li> <li>• Have you installed the strainer and flow controller if provided</li> <li>• If debris or lubricants have gone through the flow cup, it must be replaced. Debris or lubricants have a major effect on the hydraulic cartridge, this is more than likely to be the cause</li> <li>• Have you checked to make sure the pressure is to manufacturer's recommendations and in line with the plumbing code</li> <li>• Gecko rubber blown/peeled over due to high pressure</li> </ul>
No water	<ul style="list-style-type: none"> <li>• Isolating valve is off</li> </ul>	<ul style="list-style-type: none"> <li>• Ensure the isolating valve is turned on</li> </ul>
Run cycle is too long	<ul style="list-style-type: none"> <li>• Need to order the right timing</li> </ul>	<ul style="list-style-type: none"> <li>• The standard product is not set for any set time. Customers can adjust the run time from 2 to 40 seconds</li> <li>• If you need different timing, you will need to order and replace the flow cup</li> <li>• If you have an adjustable time tap or valve, then you have the opportunity to adjust on site by just using an Allen key provided with every unit. The hole is located on the front of the handle, clockwise will reduce the time and anti-clockwise will increase the time</li> </ul>
Issue with water flow	<ul style="list-style-type: none"> <li>• Not enough water</li> <li>• Too much / little water</li> </ul>	<ul style="list-style-type: none"> <li>• Check for blockage</li> <li>• Is the isolating valve fully open</li> <li>• Have got these in a bank, if so, is the inlet pipes been sized correctly</li> <li>• Has the flow control been installed</li> <li>• High pressure exceeding the plumbing code will have an effect on the product and must not exceed 500kPa</li> <li>• If flexi hose is used, ensure its not kinked/twisted</li> </ul>
Not enough water	<ul style="list-style-type: none"> <li>• Taps installed in a bank or a trough</li> </ul>	<ul style="list-style-type: none"> <li>• Ensure the main pipe size is correctly sized to provide adequate water to service the taps installed in a bank or a trough</li> </ul>

Problem	Cause	How to Fix
Knee valve and lever pillar tap won't shut off	<ul style="list-style-type: none"> <li>The valve/ tap keeps running</li> </ul>	<ul style="list-style-type: none"> <li>Please ensure the brass washer located under the handle and inside the dome is installed the right way round. Please refer to the instructions</li> <li>Ensure inlet/outlet is correct (follow the arrow)</li> </ul>
How often do I need to service my tap	<ul style="list-style-type: none"> <li>Prevent product failure</li> </ul>	<ul style="list-style-type: none"> <li>Service and maintenance of the main operating parts is recommended as this will prolong the life of the product</li> </ul>

## Water Quality

### Maximum chloride Cl- level Guidelines in plumbing systems

	Cold Water	Hot Water
Grade 304L	200	50
Grade 316L	1000	250

When materials may be used in either hot or cold water lines, the guidelines for hot water should be used.

Within these guidelines at ambient temperatures and provided the pH >~6, any negative effect to stainless steel will be unlikely.

Note: Chlorides in water - where the density of the solvent (water) is 1 (which it is to within 0.1% at ambient temperatures), then mg/L = ppm.

For brass products, please ensure the chlorine and chloramines levels are not more than 0.4 ppm.

Please ensure that the water quality supplied to the fixtures meets safe drinking standards to prevent potential staining of the product.

### Chlorine guidelines (not to be confused with chloride)

- 316L suitable for chlorine levels up to 5ppm.
- Short term dosing, for example 25-50ppm, for sterilisation purposes of 24-48 hours acceptable if effectively flushed through afterwards.
- Sterilisation is essential during commissioning of potable water systems.

Reference: <https://www.assda.asn.au/component/content/article?id=271:chlorine-and-chloride--same-element,-very-different-effect>

# USER MANUAL

---

## Responsibly Sourced



### **Reduce Carbon Footprint**

GENTEC is rejuvenating the product- no power, less maintenance and longer life.

### **Rejuvenation Program**

To learn more about the rejuvenation program, please contact our customer service at [info@gentecaustralia.com.au](mailto:info@gentecaustralia.com.au) for more information.

### **Ethically and Environmentally Sourced**

Please refer to GENTEC Business Ethics & Ethical Sourcing Policy at <https://gentecaustralia.com.au/terms-and-conditions/>





---

A: Unit 6, 20-28 Ricketty St,  
Mascot, Sydney, NSW 2020

E: [info@gentecaustralia.com.au](mailto:info@gentecaustralia.com.au)

P: +612 9319 4422

F: +612 8088 7635

Gentec products come with a Manufacturer's Warranty. To ensure the validity of this warranty, Gentec products must be installed following the provided installation instructions and adhering to AS 3500, NCC Volume Three, relevant Australian Standards, and any local authority requirements applicable to the product. Additionally, water and electrical supply conditions must meet the appropriate national and/or state standards. Non-compliance with these provisions may void the warranty and impact product performance.

Note: The information provided is only a guide, actual product may differ. The information here should not be relied on without clarification with Gentec. Gentec reserves the right to make design changes at any time without notification.

\*Subject to terms and conditions. For detailed warranty information, installation compliance, maintenance and cleaning guidelines, and other relevant details, please visit <https://gentecaustralia.com.au>

[gentecaustralia.com.au](https://gentecaustralia.com.au)