

# USER MANUAL

## GPURE® GENEVO Stainless Steel Electronic Sensor Taps



- **GPG1000** - Zero Lead Stainless Steel 316L Hob Mounted Electronic Tap w/ Laser Sensor Proprietary Battery Powered
- **GPG2500** - Zero Lead Stainless Steel 316L Wall Mounted Electronic Tap w/ Laser Sensor Proprietary Battery Powered
- **GPG3000** - Zero Lead Stainless Steel 316 Wall Mounted Gooseneck Electronic Tap w/ Internal Infrared Sensor Proprietary Battery Powered



### Table of Contents

Scope of Use	2
Technical Information	2
Product Images & Technical Drawings	3
Exploded Drawings	4
Installation Steps	7
Water Quality	11
Troubleshooting	11
Cleaning & Maintenance	12
Responsibly Sourced	12



\*Disclaimer: Stainless Steel Grade 316 is manufactured with ZERO\* Lead.

gentecaustralia.com.au

# USER MANUAL

## Scope of Use

Installation of all products should adhere to the manufacturer's guidelines, as well as comply with PCA, AS/NZS3500 standards, and any other relevant regulatory provisions. This product range complies with the Lead Free requirements of the National Construction Code Volume Three.

- **Installation:** Refer to the installation instructions included within this manual
- **Water quality:** In line strainer (supplied) must be installed to ensure water quality
- **Suitable for indoor use only**
- **Temperature recommendation:**
  - Single temperature up to 50°C
  - Dual temperature up to 80°C
  - Minimum temperature: 5°C
- **Power voltage:** 3.6 V AC / DC (battery integrated)
- **Sensor:** Infrared sensor/Laser sensor
- **Mounting:** Wall, bench or in line installation

## Technical Information

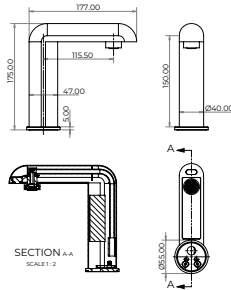
Body Material	Stainless Steel (SS316)
Solenoid Valve Waterway	Stainless Steel (SS316)
Cartridge	Solenoid Valve
Inlet	• GPG1000 : 15mm Female Flexible Connection (1/2" BSP) • GPG2500 & GPG3000 : 15mm FI Connection
Outlet	Laminar Flow
Functions	Auto On/Off
Working Pressure	50kpa - 500kPa
Manufacturers Recommended Pressure	350 kPa
Working Temperature	5°C-50°C
Max Working Temperature	50°C
Finish	Polished Stainless Steel
Servicing	Preventative Maintenance

## Product Images & Technical Drawings



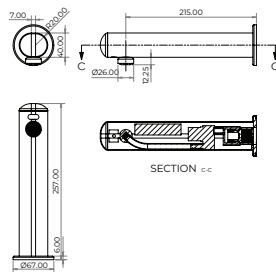
**GPG1000**

Zero Lead Stainless Steel 316L Hob Mounted Electronic Tap w/ Laser Sensor Proprietary Battery Powered



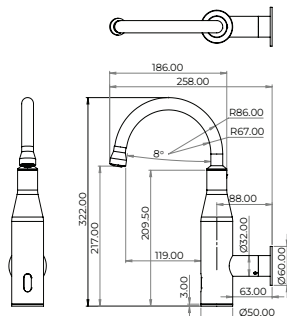
**GPG2500**

Zero Lead Stainless Steel 316L Wall Mounted Electronic Tap w/ Laser Sensor Proprietary Battery Powered



**GPG3000**

Zero Lead Stainless Steel 316 Wall Mounted Gooseneck Electronic Tap w/ Internal Infrared Sensor Proprietary Battery Powered

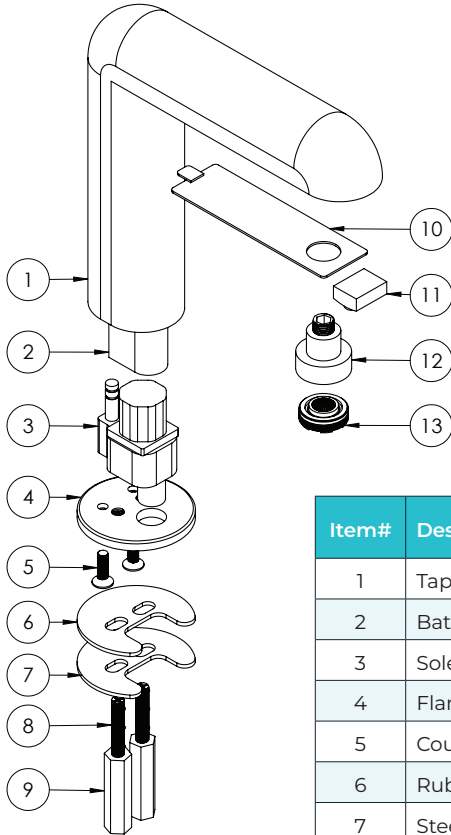


Note: Dimensions are provided as a guide and are subject to manufacturing tolerances.

# USER MANUAL

## Exploded Drawings

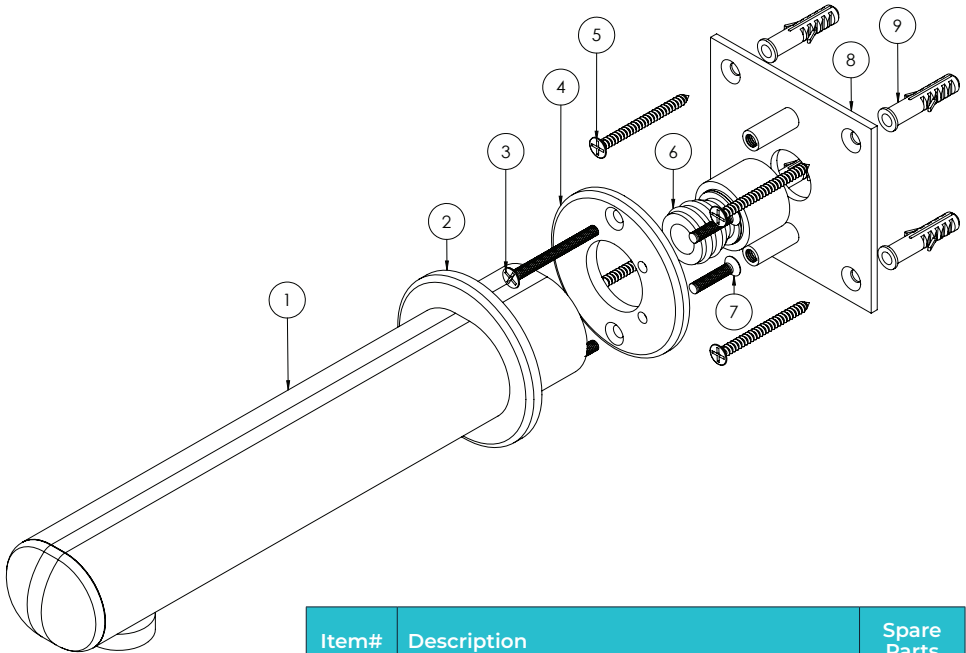
GPG1000



Item#	Description	Spare Parts
1	Tap Body	<input type="checkbox"/>
2	Battery*	<input type="checkbox"/>
3	Solenoid Valve*	<input checked="" type="checkbox"/>
4	Flange	<input type="checkbox"/>
5	Countersunk Screws	<input type="checkbox"/>
6	Rubber Washer	<input type="checkbox"/>
7	Steel Washer	<input type="checkbox"/>
8	Studs	<input type="checkbox"/>
9	Stud Nuts	<input type="checkbox"/>
10	Service Plate	<input type="checkbox"/>
11	Sensor*	<input type="checkbox"/>
12	Aerator Connector	<input type="checkbox"/>
13	Aerator	<input type="checkbox"/>

\*Note: To minimise product downtime, we recommend that you regularly check these items.

GPG2500

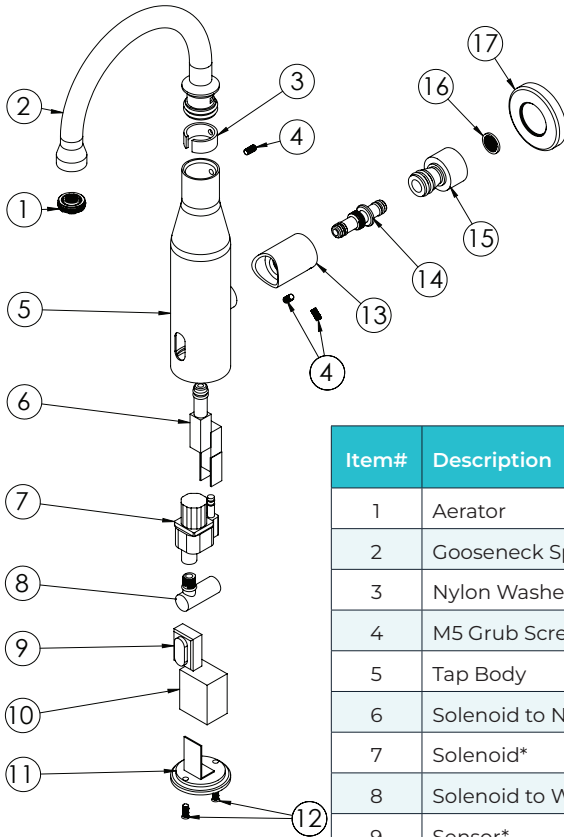


Item#	Description	Spare Parts
1	Tap Body	<input type="checkbox"/>
2	Cover Flange	<input type="checkbox"/>
3	Fixing Screws	<input type="checkbox"/>
4	Wall Flange	<input type="checkbox"/>
5	Wall Screws	<input type="checkbox"/>
6	Wall Mount	<input type="checkbox"/>
7	Flange Screws	<input type="checkbox"/>
8	Wall Bracket	<input type="checkbox"/>
9	Wall Plugs	<input type="checkbox"/>
10	Solenoid Valve* <b>Preventative Maintenance</b>	<input checked="" type="checkbox"/>

Note: To minimise product downtime, we recommend that you regularly check these items.

# USER MANUAL

GPG3000



Item#	Description	Spare Parts
1	Aerator	<input type="checkbox"/>
2	Gooseneck Spout	<input type="checkbox"/>
3	Nylon Washer	<input type="checkbox"/>
4	M5 Grub Screw	<input type="checkbox"/>
5	Tap Body	<input type="checkbox"/>
6	Solenoid to Neck Connector	<input type="checkbox"/>
7	Solenoid*	Preventative Maintenance <input checked="" type="checkbox"/>
8	Solenoid to Wall Connector	<input type="checkbox"/>
9	Sensor*	Preventative Maintenance
10	Sensor Battery*	
11	Bottom Plate	<input type="checkbox"/>
12	M5 Countersunk Screw	<input type="checkbox"/>
13	Wall Connector Piece	<input type="checkbox"/>
14	Wall Connector to Push Fit	<input type="checkbox"/>
15	Push Fit Adaptor	<input type="checkbox"/>
16	Strainer	<input type="checkbox"/>
17	Wall Flange	<input type="checkbox"/>

\*Note: To minimise product downtime, we recommend that you regularly check these items.

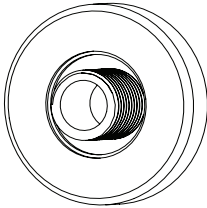
# Installation Steps

## GPC3000 INSTALLATION STEPS

### Important Note

This product comes factory assembled and tested for optimum service life and performance. Water supply lines must be thoroughly flushed before connecting the tap. Ensure water supply to the fitting is turned off before installing the tap. Do not remove the black tape from the tap until installation is complete.

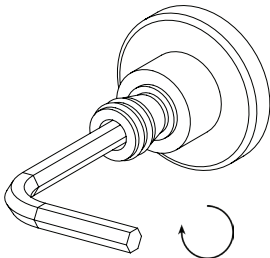
- Step 1. Apply thread tape to BSP 1/2" Nominal wall fitting.



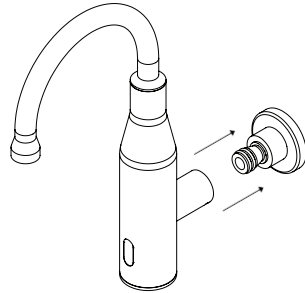
- Step 2. Place the flange over the BSP 1/2" Nominal thread.

- Step 3. Insert strainer into the push fit adaptor.

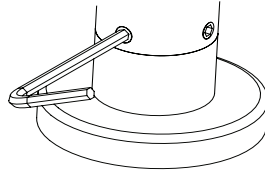
- Step 4. Firmly screw the push fit adaptor onto the BSP 1/2" Nominal thread using a 6mm Allen key.



- Step 5. Push the tap onto the adaptor.



- Step 6. Tighten both grub screws. Ensure the tap is upright and in the correct position when the grub screws are tightened.



- Step 7. Turn on the water supply to ensure there are no leaks at any of the connections.

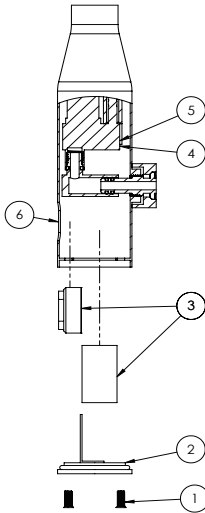
- Step 8. Remove the tape from the sensor to activate the tap. The sensor is now "active".

# USER MANUAL

## PGP3000 BATTERY REPLACEMENT

### Important Note

Ensure the water supply to the tap is turned off before replacing the sensor or battery. We recommend removing the tap from the push fit adaptor by undoing the 2 grub screws for easier disassembly.



- Step 1. Apply black sticky tape to the tap body over the sensor.
- Step 2. Undo & remove the 2 fixing screws from the base of the tap.
- Step 3. Remove the fixing plate from the tap body.
- Step 4. Remove the battery & sensor.
- Step 5. Disconnect the cable from the battery to the solenoid.

- Step 6. Reconnect the new battery cable to the solenoid.
- Step 7. Gently press the sensor into position. The sticky tape will assist in holding the sensor.
- Step 8. Gently push the battery & cables into the tap body. Replace the fixing plate & screw in the 2 fixing screws.
- Step 9. If removed from the push fit adaptor, reattach the tap to the fitting and secure it by tightening the grub screws.
- Step 10. Remove the sticky tape off the sensor and activate the tap using your hand before turning the water supply to the tap.
- Step 11. Remove the tape from the tap body. The sensor is now active.

### Important Information

We do not recommend dismantling the tap any further than required for the replacement or installation of parts.

### Final Step before turning water to tap

Turn on the water supply to ensure there are no leaks.



**Important Note**

The battery for these products is a Lithium-Ion rechargeable battery. Please read the guidelines in this document and the accompanying [Safety Data Sheet \(SDS\)](#) on the safe use, handling, storage, transportation and disposal of lithium batteries. Following the correct instructions will also maximise usable life of the battery.

Batteries should be charged before installation. Do not leave batteries unused for extended periods of time, either in the product or in storage. When a battery has been unused for 6 months, charge or change the battery as appropriate.

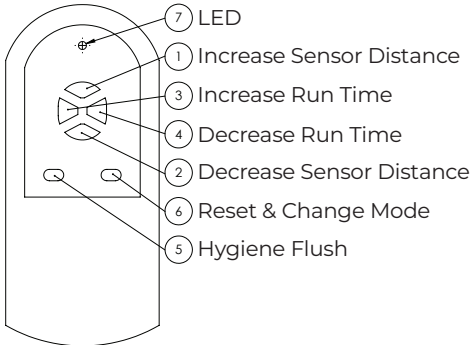
Never interchange rechargeable or Li-Ion batteries with Alkaline batteries.

# USER MANUAL

## REMOTE CONTROL GPG9005 TO SUIT GPG3000

### Set Up

The GENEVO tap should be connected to the water supply before operation. Please remove the black sticker from the sensor.



### Sensor Functions:

#### Button 1 - Increases the Sensor Distance

When pressed, water will be released from the tap for 1 - 2 seconds. This indicates the sensor distance has been increased. NOTE that sensor distance increases twice as much as it decreases. Also note that if the sensor distance is too high, there is a possibility that the water flow might trigger the sensor, and so the water may not turn off automatically.

#### Button 2 - Decreases the Sensor Distance

When pressed, water will be released from the tap for 1 - 2 seconds. This indicates the sensor distance has been decreased.

#### Button 3 - Increases the Outlet's Maximum Run Time

Maximum run time refers to the period the tap will remain on before it will automatically turn off. When pressed,

water will be released from the tap for 1-2 seconds. This indicates that the Maximum Run Time has been increased by:

- 1 sec – Automatic on/off mode
- 1 sec – Wave on/off mode
- 1 minute – Hygiene flush

#### Button 4 - Decrease the Outlet's Maximum Run Time

When pressed, water will be released from the tap for 1 - 2 seconds. This indicates that the Maximum Run Time has been decreased by:

- 1 sec – Automatic on/off mode
- 1 sec – Wave on/off mode
- 1 minute – Hygiene flush

#### Button 5 – Activate and Change Hygiene Flush Periods

When pressed, water will come out in short intervals a certain number of times. This indicates the time difference between Hygiene Flushes.

- Once – 6Hr-period Hygiene Flush.
- Twice – 12Hr-period Hygiene Flush.
- Three Times – 24Hr-period Hygiene Flush.
- Four Times – 48Hr-period Hygiene Flush.
- Five Times – Hygiene Flush has been deactivated.

#### Button 6 – Reset and Change Operating Mode

Pressing the button will select Wave On/Off mode and reset Sensor Distance & Run Time.

Pressing the button again will select Automatic On/Off mode and reset Sensor Distance & Run Time.

**Default settings:** Wave on/off

**Default Maximum run time:** 24s

**Distance:** 5cm

**Hygiene flush:** Off

## Water Quality

### Maximum chloride Cl- level Guidelines in plumbing systems

	Cold Water	Hot Water
Grade 304L	200	50
Grade 316L	1000	250

When materials may be used in either hot or cold water lines, the guidelines for hot water should be used.

Within these guidelines at ambient temperatures and provided the pH >~6, any negative effect to stainless steel will be unlikely.

Note: Chlorides in water - where the density of the solvent (water) is 1 (which it is to within 0.1% at ambient temperatures), then mg/L = ppm.

### Chlorine guidelines (not to be confused with chloride)

- 304L suitable for chlorine levels up to 2ppm.
- 316L suitable for chlorine levels up to 5ppm.
- Short term dosing, for example 25-50ppm, for sterilisation purposes of 24-48 hours acceptable if effectively flushed through afterwards.
- Sterilisation is essential during commissioning of potable water systems.

Reference: <https://www.assda.asn.au/component/content/article?id=271:chlorine-and-chloride--same-element,-very-different-effect>

## Troubleshooting

Problem	Cause	How to Fix
Inconsistent flow	Blocked aerator/ inlet	<ul style="list-style-type: none"> <li>• Remove aerator housing and clear any debris or obstructions.</li> <li>• Remove body and clear any debris or obstructions.</li> </ul>
No water flowing	Water turned off/ blocked	<ul style="list-style-type: none"> <li>• Remove the sticky tape off the sensor and activate the tap using your hand before turning the water supply to the tap.</li> </ul>
Tap not activating	Internal connections	<ul style="list-style-type: none"> <li>• Check solenoid and battery are connected.</li> <li>• Check water connection.</li> </ul>
Tap is dripping	Solenoid leaking	<ul style="list-style-type: none"> <li>• Remove and clean or replace solenoid.</li> </ul>

### Important Note

The tap must be installed by a suitably qualified and licenced plumber and in accordance with the requirements of the NCC Vol3 and AS/NZS3500.

\*Service inspections at regular intervals especially in high usage areas will assist in optimising the operational life of the product.

# USER MANUAL

## Cleaning & Maintenance

To minimise downtime and maximise the functional life of the product, GENTEC recommends servicing your product at least every 12 months, under heavy use may need to be checked and serviced more often.

- The product must be handled carefully to avoid causing any physical damage.
- Use the product at least once every week to ensure all parts are kept lubricated and functioning properly.
- Service the product at least once a year to avoid any product failures - The service timeline provided is based on normal use. More frequent servicing may be required for heavy usage.
- A working pressure of 350kPa is highly recommended to ensure the maximum up-time of the product.
- Regularly clean the product with a soft cloth with warm soapy water, wash off with warm water and dry off with a soft dry cloth, paying attention to removing the dust and contamination in the bends and joints is highly recommended.
- Abrasives, hard clothes, strong acids, and bleaches must be avoided when cleaning stainless steel products.

Parts	Product Name
GPG9001	GPURE® GENEVO Stainless steel solenoid valve (SS316)
GPG9003	GPURE® GENEVO Infrared sensor with battery (lead from short end)
GPG9004	GPURE® GENEVO Infrared sensor with battery (lead from long side)
AEM24-1.9S	Aerator M24-1.9 lpm slim spray pattern flow
AEM24-5.6	Aerator M24-5.6 lpm slim/swivel

## Responsibly Sourced



### Reduce Carbon Footprint

GENTEC is rejuvenating the product- no power, less maintenance and longer life.

### Rejuvenation Program

To learn more about the rejuvenation program, please contact our customer service at [info@gentecaustralia.com.au](mailto:info@gentecaustralia.com.au) for more information.

### Ethically and Environmentally Sourced

Please refer to GENTEC Business Ethics & Ethical Sourcing Policy at <https://gentecaustralia.com.au/terms-and-conditions/>





---

A: Unit 6, 20-28 Ricketty St,  
Mascot, Sydney, NSW 2020

E: [info@gentecaustralia.com.au](mailto:info@gentecaustralia.com.au)

P: +612 9319 4422

F: +612 8088 7635

Gentec products come with a Manufacturer's Warranty. To ensure the validity of this warranty, Gentec products must be installed following the provided installation instructions and adhering to AS 3500, NCC Volume Three, relevant Australian Standards, and any local authority requirements applicable to the product. Additionally, water and electrical supply conditions must meet the appropriate national and/or state standards. Non-compliance with these provisions may void the warranty and impact product performance.

Note: The information provided is only a guide, actual product may differ. The information here should not be relied on without clarification with Gentec. Gentec reserves the right to make design changes at any time without notification.

\*Subject to terms and conditions. For detailed warranty information, installation compliance, maintenance and cleaning guidelines, and other relevant details, please visit <https://gentecaustralia.com.au>

[gentecaustralia.com.au](https://gentecaustralia.com.au)