

Where Technology Meets Fit for Purpose: NUGEN Lead Free Single Lever Mixers



Energy Efficient



Water Savings



Easy Operation



Green Star &
NABERS Rating

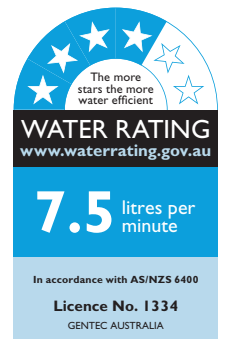


Why Choose NUGEN Lead Free Single Lever Mixers

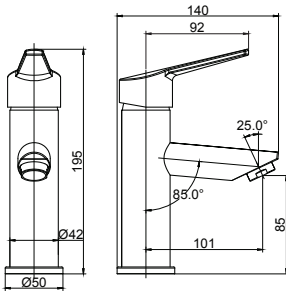
Experience the perfect blend of innovation, functionality, and sustainability with the NUGEN Lead Free Single Lever Mixers.

These mixers feature a sleek and modern design and are easy to use with a single lever for water flow and temperature control. Made from Lead Free DZR Brass, they are designed to meet the demands of modern commercial, health, and hospitality environments, offering superior performance while promoting energy efficiency, water savings and user convenience.

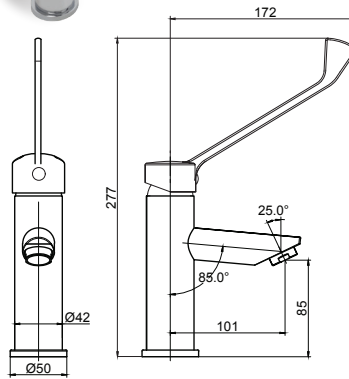
With a range of customisable features and a commitment to safer, lead free water delivery, NUGEN Lead Free sets the standard for safe, environmentally conscious water solutions.



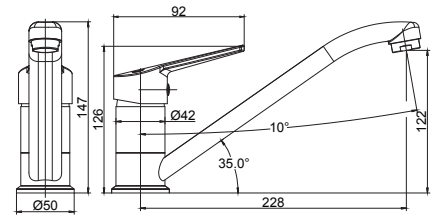

Explore the Product Range of NUGEN Lead Free Single Lever Mixers


NGMLF1000
 yellow & blue indicators

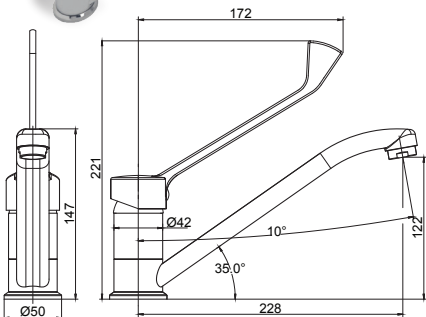
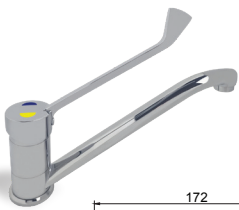
Hob Mounted Basin Mixer


NGMLF2000D
 yellow & blue indicators

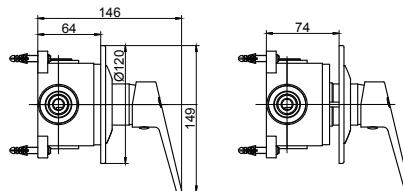
Hob Mounted Basin Mixer with Care Handle


NGMLF3500
 yellow & blue indicators

Hob Mounted Low Line Swivel Spout Sink Mixer


NGMLF3500D
 yellow & blue indicators

Hob Mounted Low Line Swivel Spout Sink Mixer with Care Handle


NGMLF4000
 yellow & blue indicators

In-Wall Recess Shower Mixer

- ✓ Compliant to Lead Free legislation
- ✓ Smooth close operation
- ✓ More hygienic
- ✓ The basin tap is designed to eliminate stagnant water
- ✓ Additional Legionella prevention
- ✓ With cold start cartridge: saves energy by preventing warm water being drawn while the handle is in the neutral position
- ✓ Supplied with PEX inlet hoses (for basin and sink mixers only)
- ✓ Red / Blue indicators available on request