

FLOSTOP - Timed Flow Pillar Tap

TFTLF1500

Lead Free Bench Mounted Single Temperature
Timed Flow Pillar Tap

6-star 4.0 lpm
(Nominal Flow : 3.67 lpm)



Product Features



- Soft-close, hydraulically operated time flow means that it's suitable for all markets
- Designed to be durable and anti-vandal. Suitable for use in public areas
- One service kit used across the Flostop range for easy maintenance
- Supplied with inlet strainer and flow controller
- Red, Yellow & Blue button indicators supplied
- Concealed Aerator
- Up to 0-40 (+/-10) seconds run time available
- All components comply with less than 0.25% lead
- Product customisation available
- Recommended for commercial and public projects

Technical Information



Materials	Lead Free Brass (CW511L)
Cartridge	Timed Flow (Hydraulic)
Cartridge Size	15mm
Inlet	15mm Male (G 1/2" BSP)
Outlet	Free Flow
Run time	5 (+/- 1) seconds (Fixed)
Working Pressures	150kPa-500kPa
Recommended Working Pressures	350kPa
Working Temperatures	5°C - 50°C
Finish / Colour	Chrome Plated
Warranty	5 years*

Product Certifications



WELS: T38995



Lead Free
AS 3718
WM74827



Unit 6, 20 - 28 Ricketty St, Mascot, NSW 2020

P: +612 9319 4422

F: +612 8088 7635

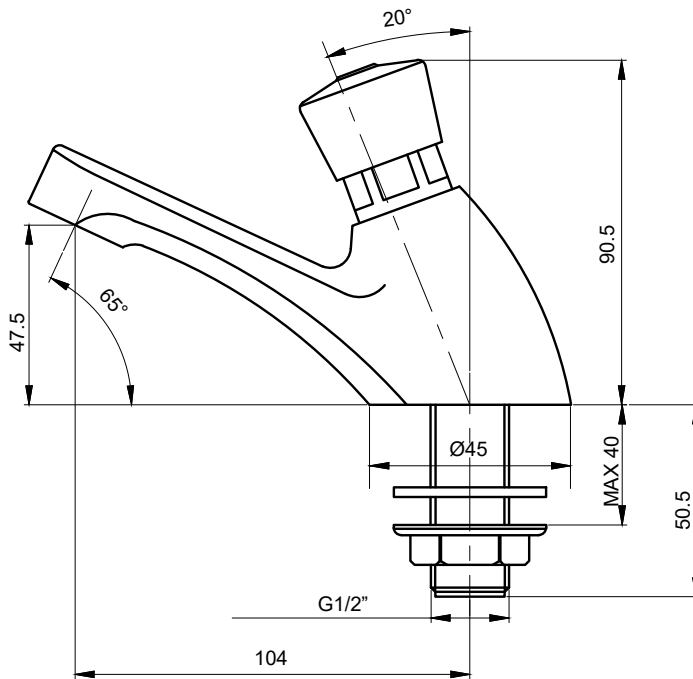
E: info@gentecaustralia.com.au

Note: The information provided is only a guide, actual product may differ. The information here should not be relied on without clarification with Gentec. Gentec reserves the right to make design changes at any time without notification.

*Subject to terms and conditions, available at www.gentecaustralia.com.au/terms-and-conditions/

www.gentecaustralia.com.au

1



All measurements are in millimetres and should be used as a guide only



Unit 6, 20 - 28 Ricketty St, Mascot, NSW 2020 P: +612 9319 4422 F: +612 8088 7635 E: info@gentecaustralia.com.au

Note: The information provided is only a guide, actual product may differ. The information here should not be relied on without clarification with Gentec. Gentec reserves the right to make design changes at any time without notification.

*Subject to terms and conditions, available at www.gentecaustralia.com.au/terms-and-conditions/