



## STERISAN - Basin Shroud

# SAN9011

Shroud to suit SANB500/SANF715  
Basin

### Product Features



- Recommended for use in health and aged care projects
- Fixed with bracket and wall screws (included)
- Lightweight construction
- Fixed with hex screws (included)

### Technical Information



Materials	Powder Coated (White)
Finish / Colour	Pearl White (Powder coated enamel)
Warranty	5 years*

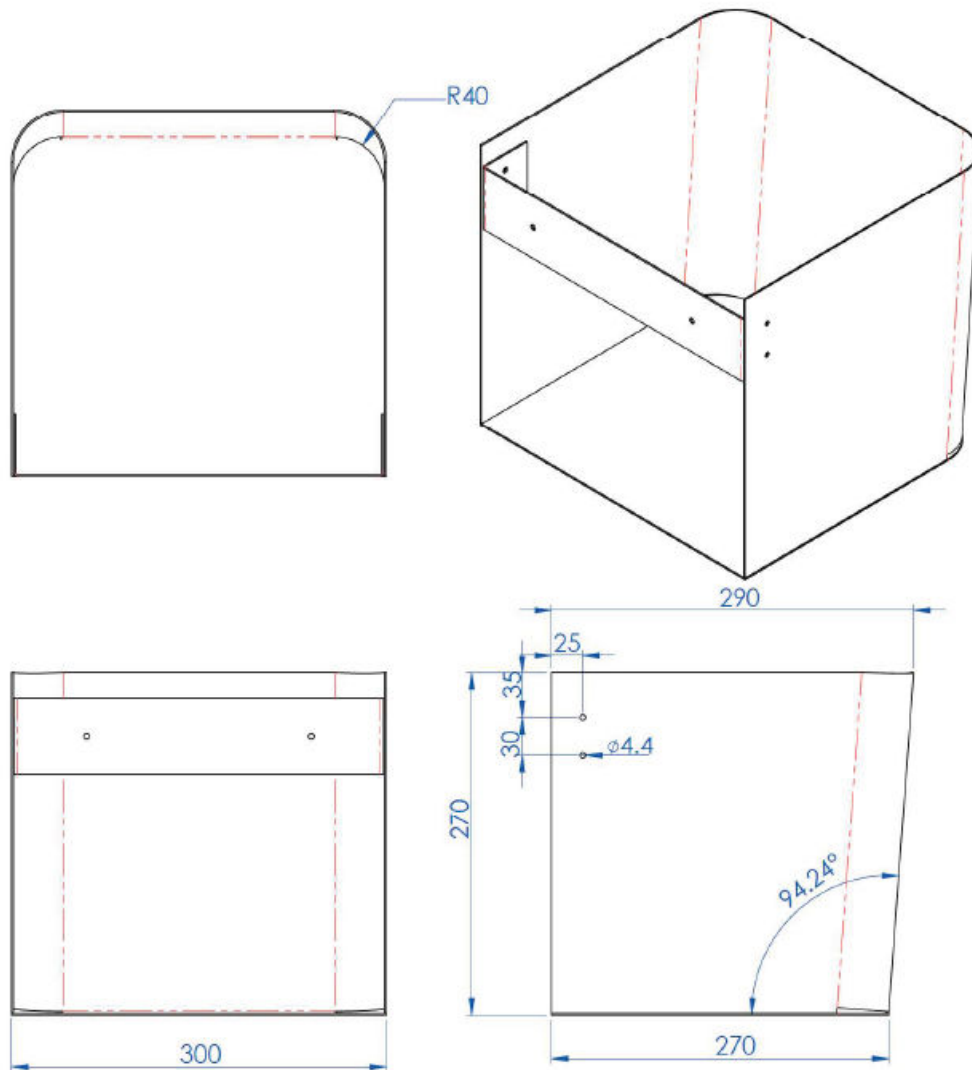
### Product Certifications



Unit 6, 20 - 28 Ricketty St, Mascot, NSW 2020    P: +612 9319 4422    F: +612 8088 7635    E: info@gentecaustralia.com.au

Note: The information provided is only a guide, actual product may differ. The information here should not be relied on without clarification with Gentec. Gentec reserves the right to make design changes at any time without notification.

\*Subject to terms and conditions, available at [gentecaustralia.com.au/terms-and-conditions/](http://gentecaustralia.com.au/terms-and-conditions/)



All measurements are in millimetres and should be used as a guide only



Unit 6, 20 - 28 Ricketty St, Mascot, NSW 2020    P: +612 9319 4422    F: +612 8088 7635    E: info@gentecaustralia.com.au

Note: The information provided is only a guide, actual product may differ. The information here should not be relied on without clarification with Gentec. Gentec reserves the right to make design changes at any time without notification.

\*Subject to terms and conditions, available at [gentecaustralia.com.au/terms-and-conditions/](http://gentecaustralia.com.au/terms-and-conditions/)