



OUTLET- Sink Spout

S1500

Bench Mounted Fixed Gooseneck Sink Spout with 165mm Reach

4 star 7.5 lpm
(Nominal Flow : 7.12 lpm)

Product Features



- Laminar Flow Available
- Durable Design
- Allen key fixings for secure outlets
- Adaptable to all Gentec tapware
- Product customisation available
- Recommended for any commercial projects

Technical Information



Materials	DZR Brass
Outlet	Aerated Flow
Working Pressures	50kPa-500kPa
Recommended Working Pressures	350kPa
Working Temperatures	5°C - 80°C
Finish / Colour	Chrome Plated
Warranty	2 years*

Product Certifications



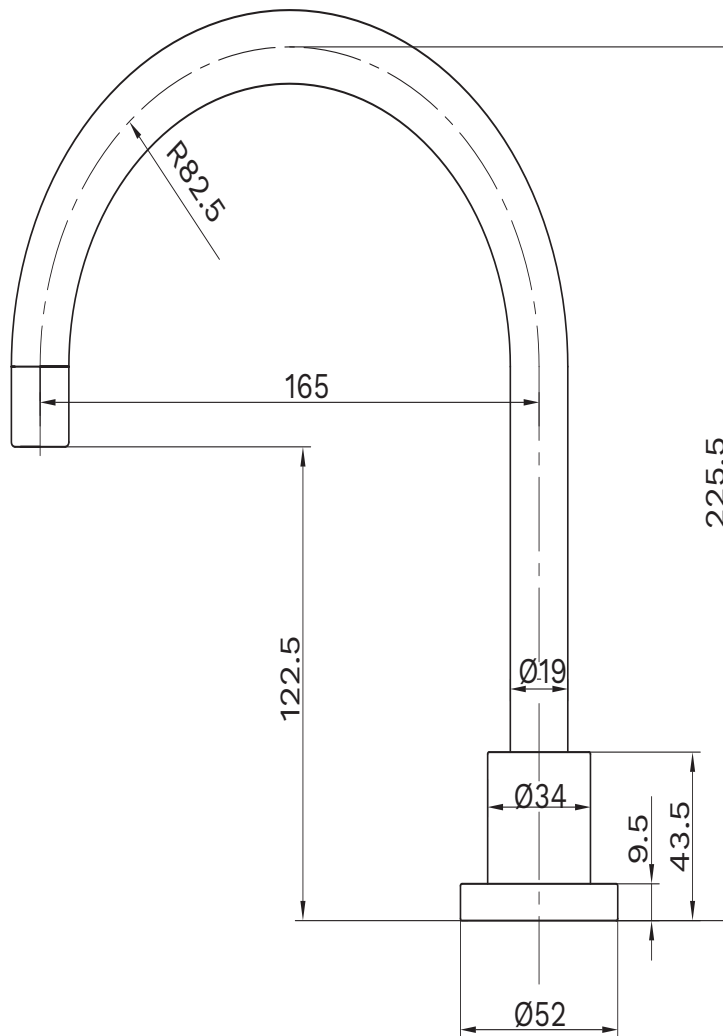
WELS: T41110



Unit 6, 20 - 28 Ricketty St, Mascot, NSW 2020 P: +612 9319 4422 F: +612 8088 7635 E: info@gentecaustralia.com.au

Note: The information provided is only a guide, actual product may differ. The information here should not be relied on without clarification with Gentec. Gentec reserves the right to make design changes at any time without notification.

*Subject to terms and conditions, available at www.gentecaustralia.com.au/page/warranty



All measurements are in millimetres and should be used as a guide only



Unit 6, 20 - 28 Ricketty St, Mascot, NSW 2020 P: +612 9319 4422 F: +612 8088 7635 E: info@gentecaustralia.com.au

Note: The information provided is only a guide, actual product may differ. The information here should not be relied on without clarification with Gentec. Gentec reserves the right to make design changes at any time without notification.

*Subject to terms and conditions, available at www.gentecaustralia.com.au/page/warranty