



VANDAL RESISTANT- Anti Ligature Tapware

AVPB002D

Bench or Wall Mounted Anti Ligature Care Control Valve with Timed Flow

Product Features



- Anti-rotation pin
- Anti-vandal
- Adjustable to suit stainless basins and can be used with benchtops up to 18mm thick
- Gentec can customise products to suit customer requirements
- Recommended for projects in Public areas, Detention Centres and Mental Health facilities

Technical Information



Materials	DZR Brass
Cartridge	Timed Flow (Hydraulic)
Cartridge Size	15 mm
Inlet	15mm Male (G 1/2" BSP)
Outlet	15mm Male (G 1/2" BSP)
Run time	5 (+/- 1) seconds (Fixed)
Working Pressures	50kPa-500kPa
Recommended Working Pressures	350kPa
Working Temperatures	5°C - 60°C
Finish / Colour	Chrome Plated
Warranty	2 years*

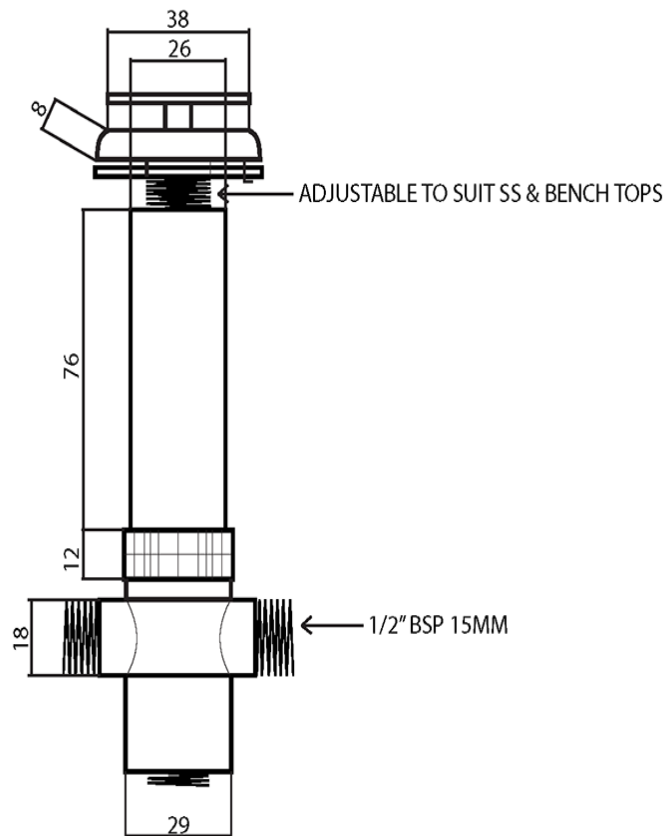
Product Certifications



Unit 6, 20 - 28 Ricketty St, Mascot, NSW 2020 P: +612 9319 4422 F: +612 8088 7635 E: info@gentecaustralia.com.au

Note: The information provided is only a guide, actual product may differ. The information here should not be relied on without clarification with Gentec. Gentec reserves the right to make design changes at any time without notification.

*Subject to terms and conditions, available at www.gentecaustralia.com.au/page/warranty



Unit 6, 20 - 28 Ricketty St, Mascot, NSW 2020 P: +612 9319 4422 F: +612 8088 7635 E: info@gentecaustralia.com.au

Note: The information provided is only a guide, actual product may differ. The information here should not be relied on without clarification with Gentec. Gentec reserves the right to make design changes at any time without notification.

*Subject to terms and conditions, available at www.gentecaustralia.com.au/page/warranty