

VANDAL RESISTANT- Anti Ligature Tapware

AV0001



Basin Set with Anti Ligature Outlet and Control Valves

6 star 4 lpm
(Nominal Flow : 3.76 lpm)

Product Features



- Anti-rotation pins on control valves and outlet
- Anti-ligature and anti-vandal
- Up to 10mm depth adjustment on control valves
- Supplied with cold, warm, hot indicators for each control valve
- Recommended for projects in Public areas, Detention Centres and Mental Health facilities
- Gentec can customise products to suit customer requirements

Technical Information



Materials	Body: DZR Brass Handle: Zinc Alloy
Cartridge	Ceramic Disk (Quarter Turn)
Cartridge Size	15 mm
Inlet	15mm
Outlet	Free Flow
Working Pressures	50kPa-500kPa
Recommended Working Pressures	350kPa
Working Temperatures	5°C - 60°C
Finish / Colour	Chrome Plated
Warranty	2 years*

Product Certifications



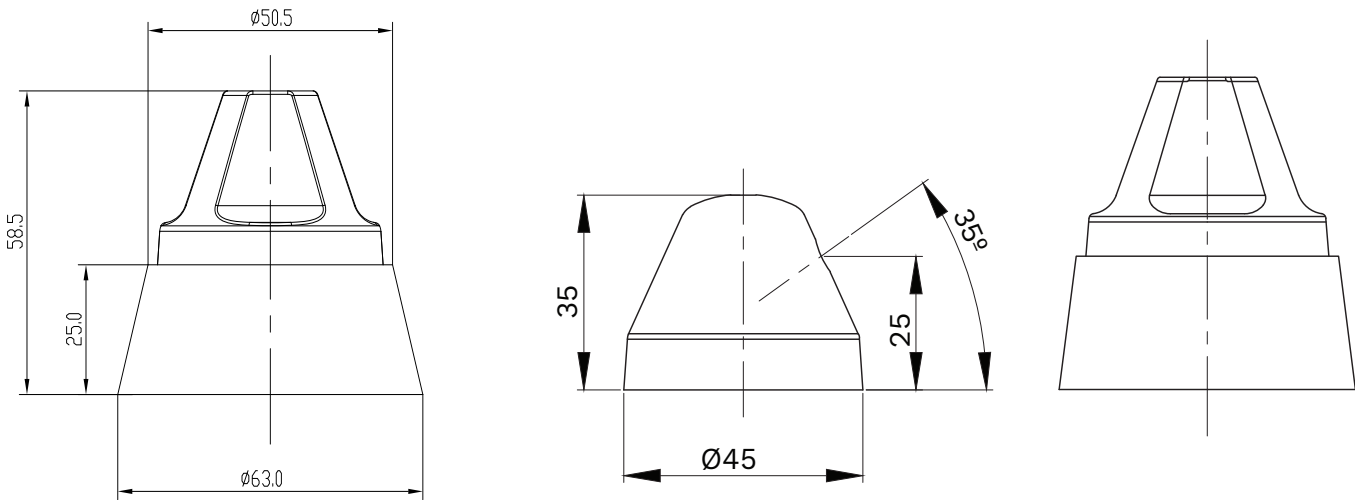
WELS:T26915



Unit 6, 20 - 28 Ricketty St, Mascot, NSW 2020 P: +612 9319 4422 F: +612 8088 7635 E: info@gentecaustralia.com.au

Note: The information provided is only a guide, actual product may differ. The information here should not be relied on without clarification with Gentec. Gentec reserves the right to make design changes at any time without notification.

*Subject to terms and conditions, available at www.gentecaustralia.com.au/page/warranty



All measurements are in millimetres and should be used as a guide only



Unit 6, 20 - 28 Ricketty St, Mascot, NSW 2020 P: +612 9319 4422 F: +612 8088 7635 E: info@gentecaustralia.com.au

Note: The information provided is only a guide, actual product may differ. The information here should not be relied on without clarification with Gentec. Gentec reserves the right to make design changes at any time without notification.

*Subject to terms and conditions, available at www.gentecaustralia.com.au/page/warranty