



OUTLET- Basin Spout

S1000

Bench Mounted Fixed Basin Spout with 114mm Reach

5 star 5.5 lpm
(Nominal Flow : 5.3 lpm)

Product Features



- Laminar Flow Available
- Durable Design
- Allen key fixings for secure outlets
- Adaptable to all Gentec tapware
- Product customisation available
- Recommended for any commercial projects

Technical Information



Materials	DZR Brass
Inlet	15mm Male (G 1/2" BSP)
Outlet	Aerated Flow
Working Pressures	50kPa-500kPa
Recommended Working Pressures	350kPa
Working Temperatures	5°C - 80°C
Finish / Colour	Chrome Plated
Warranty	5 years*

Product Certifications



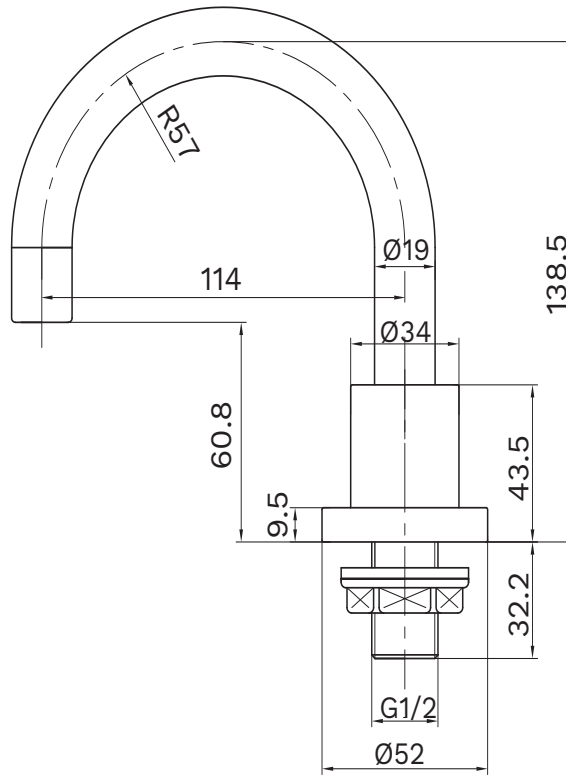
WELS: T25097



Unit 6, 20 - 28 Ricketty St, Mascot, NSW 2020 P: +612 9319 4422 F: +612 8088 7635 E: info@gentecaustralia.com.au

Note: The information provided is only a guide, actual product may differ. The information here should not be relied on without clarification with Gentec. Gentec reserves the right to make design changes at any time without notification.

*Subject to terms and conditions, available at www.gentecaustralia.com.au/page/warranty



All measurements are in millimetres and should be used as a guide only



Unit 6, 20 - 28 Ricketty St, Mascot, NSW 2020 P: +612 9319 4422 F: +612 8088 7635 E: info@gentecaustralia.com.au

Note: The information provided is only a guide, actual product may differ. The information here should not be relied on without clarification with Gentec. Gentec reserves the right to make design changes at any time without notification.

*Subject to terms and conditions, available at www.gentecaustralia.com.au/page/warranty