

www.gentecaustralia.com.au

info@gentecaustralia.com.au

Unit 6 20-28 Ricketty St,
Mascot, Sydney, NSW 2020

P: +612 9319 4422

F: +612 8088 7635



MAR-IM-ECO01-JT-20211207

INSTALLATION MANUAL

ECOSAFE

Free Standing SS Shower/Eye Wash

ECO1000EXP, ECO1000FPEXP

Free Standing SS Eye Wash

ECO4000EXP, ECO4000FPEXP

SS Wall Mounted Eye-Wash

ECO4010, ECO4010EXP

Wall Mounted SS EMERGENCY Shower

ECO2000EXP

Ceiling Mounted SS EMERGENCY Shower

ECO2010EXP

Free Standing SS Shower

ECO2020EXP

SS: Stainless Steel

FP: Foot Pedal



Contents

Product Features	3
Product Range	4
Technical Drawings	6
Technical information	8
F/S SS Emergency Shower / Eyewash ECO100EXP - ECO1000FPEXP	10
F/S SS Eye Wash ECO4000EXP - ECO4000FPEXP	12
SS Wall Mounted Eye Wash ECO4010, ECO4010EXP	14
Wall mounted / Ceiling Mounted SSEMERGENCY Shower ECO2000EXP - ECO2010EXP	15
F/S SS EMERGENCY Shower ECO2020EXP	16
Product Warranty	17

ECOSAFE by Gentec

The ECOSAFE range of Emergency Showers and Eyewash equipment have been designed to perform when a rapid effective response to workplace accidents are demanded to assist in minimising the impacts of injury. Independently third party certified to AS4775, ECOSAFE's use of durable corrosion resistant stainless steel additionally delivers compliance with AS4020 to minimise the risk of contamination of the flushing fluid.

ECOSAFE presents a new quality benchmark that makes our emergency showers and eyewash equipment perfectly suited for specification and installation. The ECOSAFE range meets the increasing WHS demands of Industrial, Commercial and Educational facilities.

<p>Commercial durability features</p>	<ul style="list-style-type: none"> ▶ Valves specifically designed to be used in emergency situations and regulate the water flow. ▶ The water distribution pattern of the shower head is in accordance with EN and ANSI standards, the flow holes are designed to prevent any lime build up or restriction for better operation. ▶ Our products are manufactured using high quality materials
<p>Features</p>	<ul style="list-style-type: none"> ▶ Manufactured from corrosion resistant Stainless Steel ▶ Vertical Zero Design laminar flow eyewash outlets ▶ AS4775 and ANSI Z 358.1 compliant ▶ AS4020 compliance for materials in contact with drinking water ▶ Signage included ▶ Custom designs to suit your facility, hazard or site requirements



AS 4775:2007
Licence: AMI74767

Product Range

ECO1000EXP

F/S SS Emergency Shower /
Eyewash



ECO1000FPEXP

F/S SS Emergency Shower /
Eyewash



ECO4000EXP

FREE STANDING STAINLESS STEEL
EYE WASH



ECO4000FPEXP

FREE STANDING STAINLESS STEEL
EYE WASH WITH FOOT PEDAL



ECO4010EXP

WALL MOUNTED POLISHED EYE WASH
STAINLESS STEEL



ECO2000EXP

WALL MOUNTED DRENCH SHOWER
STAINLESS STEEL



ECO2010EXP

CEILING MOUNTED DRENCH SHOWER
STAINLESS STEEL



ECO2020FPEXP

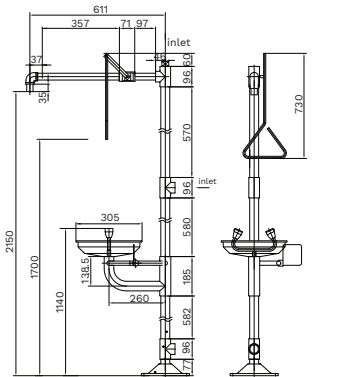
FREE STANDING SHOWER STAINLESS STEEL



Technical Drawings

ECO1000EXP

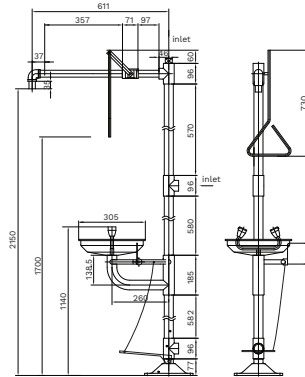
FREE STANDING SHOWER/EYE WASH
STAINLESS STEEL



All dimensions given in mm unless specified

ECO1000FPEXP

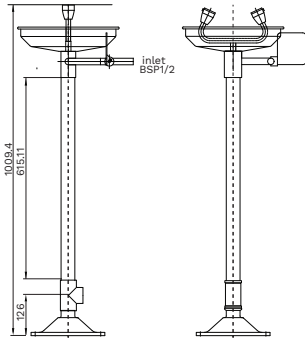
FREE STANDING SHOWER/EYE WASH
STAINLESS STEEL WITH FOOT PEDAL



All dimensions given in mm unless specified

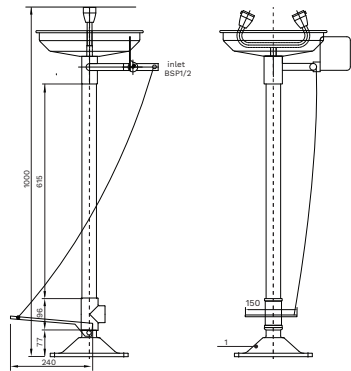
ECO4000EXP

FREE STANDING POLISHED EYE WASH
STAINLESS STEEL



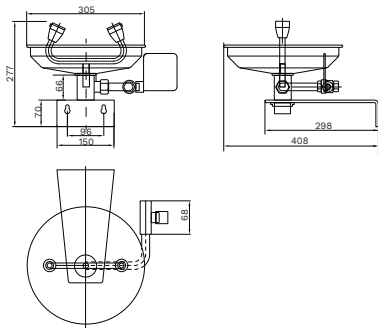
ECO4000FPEXP

FREE STANDING POLISHED EYE WASH
STAINLESS STEEL WITH FOOT PEDAL



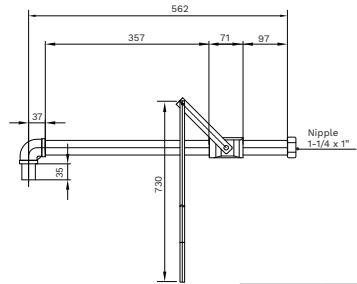
ECO4010EXP

WALL MOUNTED POLISHED EYE WASH
STAINLESS STEEL



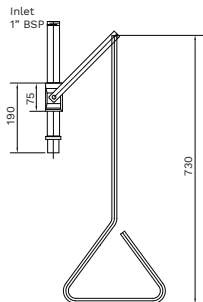
ECO2000EXP

WALL MOUNTED DRENCH SHOWER
STAINLESS STEEL



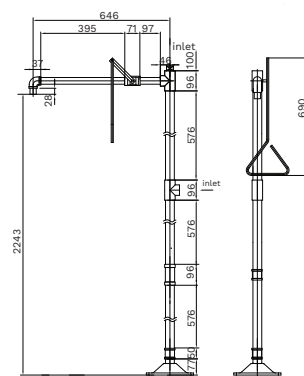
ECO2010EXP

CEILING MOUNTED DRENCH SHOWER
STAINLESS STEEL



ECO2020FPEXP

FREE STANDING SHOWER STAINLESS STEEL



Technical information

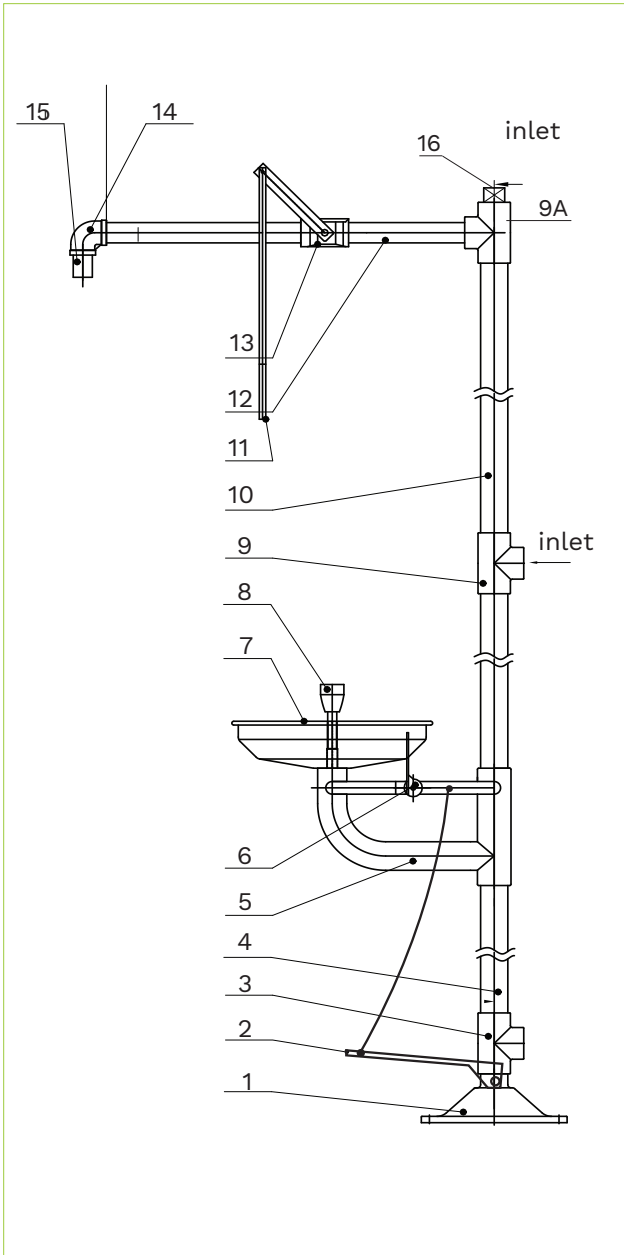
Description	F/S SAFETY SHOWER/EYEWASH SS	F/S SAFETY SHOWER/EYEWASH SS WITH FP	F/S EYE WASH POLISHED SS	
Product Code	ECO1000EXP	ECO1000FPEXP	ECO4000EXP	EC
Product Type	Safety shower and eye wash	Safety shower and eye wash with foot pedal	Safety eye wash	Sa wi
Colour	Mirror finis	Mirror finis	Mirror finis	Mi
Finish	Polished	Polished	Polished	Pol
Material	Stainless Steel	Stainless Steel	Stainless Steel	St
Cartridge Type	Ceramic Disc Ball valve	Ceramic Disc Ball valve	Ceramic Disc Ball valve	Ce Ba
Min Continuous Working Pressure	250kPa	250kPa	250kPa	25
Max Continuous Working Pressure	500kPa	500kPa	500kPa	50
Max Continuous Working Pressure	Ambient water	Ambient water	Ambient water	Am
Min Continuous Working Temperature	70°C	70°C	70°C	70
Max Continuous Working Temperature	Reference AS4775	Reference AS4775	Reference AS4775	Re AS
Max Static Pressure	500kPa	500kPa	500kPa	50
Height	2400mm	2400mm	1000mm	10
Clearance	2200mm	2200mm	1500mm	N/
Reach	635mm	635mm	N/A	N/

***Pressure exceding 450 kPa will void warranty**

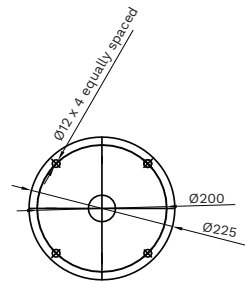
W/F/S EYE WASH POLISHED SS WITH FP	WALL MOUNTED EYE WASH POLISHED SS	WALL MOUNTED DRENCH SHOWER SS	CEILING MOUNTED DRENCH SHOWER SS	FREE STANDING SHOWER SS
ECO4000FPEXP	ECO4010EXP	ECO2000EXP	ECO2010EXP	ECO2020EXP
Safety eye wash with foot pedal	Safety eye wash	Safety shower	Safety shower	Safety shower
Mirror finis	Mirror finis	Mirror finis	Mirror finis	Mirror finis
Polished	Polished	Polished	Polished	Polished
Stainless Steel	Stainless Steel	Stainless Steel	Stainless Steel	Stainless Steel
Ceramic Disc Ball valve	Ceramic Disc Ball valve	Ceramic Disc Ball valve	Ceramic Disc Ball valve	Ceramic Disc Ball valve
250kPa	250kPa	250kPa	250kPa	250kPa
500kPa	500kPa	500kPa	500kPa	500kPa
Ambient water	Ambient water	Ambient water	Ambient water	Ambient water
70°C	70°C	70°C	70°C	70°C
Reference AS4775	Reference AS4775	Reference AS4775	Reference AS4775	Reference AS4775
500kPa	500kPa	500kPa	500kPa	500kPa
2300mm	Suggested height refer to AS4775	Suggested height refer to AS4776	Suggested height refer to AS4777	2300mm
N/A	Suggested Clearance refer to AS4776	Suggested Clearance refer to AS4777	Suggested Clearance refer to AS4778	2150mm
N/A	N/A	N/A	N/A	635mm

***Regular service must be carried out on the product to avoid product failure.**

Installation Instructions



No.	Description	Qty
01	Base	1
02	Foot Pedal	1
03	1-1/4 Drain tee	1
04	Drain pipe	1
05	Eye wash assembly	1
06	Eye wash push valve	1
07	Eye wash basin	1
08	Eye wash sprinkler	1
09	1-1/4 Inlet tee	1
9A	1-1/4 Inlet tee	1
10	Inlet pipe	2
11	Shower rod	1
12	1 inch shower pipe	2
13	Shower hand valve	1
14	Shower Bend	1
15	Shower Head	1



Base

Figure 1

FREE STANDING STAINLESS STEEL EMERGENCY SHOWER / EYE WASH **ECO1000EXP - ECO1000FPEXP - ECO2020EXP**

Important Note

Location of Unit: The Safety Shower and Eye Wash should be installed in close proximity to potential accident areas. It should be clearly identified, free from obstructions and easy to access. Te on tape and rubber grip is provided with every shower.

Supply Line: The minimum recommended line size is 1 1/4" BSP with 200 kPa - 500 kPa owing pressure. Where sediment or mineral content is a problem, an inlet filter is recommended.

Plumbing Connections: Inlet supply is female 1-1/4" BSP. Waste outlet is female 1-1/4" BSP.

1. Mount base plate (1) (Floor Flange to oor, mark the holes for the screws (Figure1). Drill the concrete and screw the oor flange securely into the ground. (Dynabolts provided)
2. Screw F/F tee (3) to base and connect Stainless Steel pipe (4) to the other end of the adapter.
3. Insert eye wash bowl (7) over the eye wash loop, then screw eye wash to seating and operating position.
4. Assemble push handle into the eye wash valve assembly (6) to the eye wash assembly (5).
5. Screw the eye wash assembly (5) to the Stainless-Steel pipe (4).
6. Screw-in riser pipe to the eye wash assembly.
7. Screw pipe (10) into tee (9).
8. Screw reduced tee (9A) on to (10) pipe.
9. Screw(16) plug into (9A) tee.
10. Screw on ball valve (13) to the pipe (12).
11. Screw shower elbow (14) and pipe to ball valve outlet (15).
12. Assemble pull handle (11) to ball valve (13) and screw. The handle (should be in a 10 o'clock position when closed and pulled down to activate.
13. Adjust the water ow for the Eye Wash by screwing/ unscrewing the screw located in between the nozzles.

Important Information

- Before installing the eye wash, check for any debris or Te on excess that could block the nozzle of the eye wash.
- The eye wash ow shall be positioned with the ushing uid nozzles not less than 838mm and no greater than 1143mm from the surface on which the user stands and 153 mm minimum from the wall or nearest obstruction.

Test the shower before using.

ECO1000FPEXP

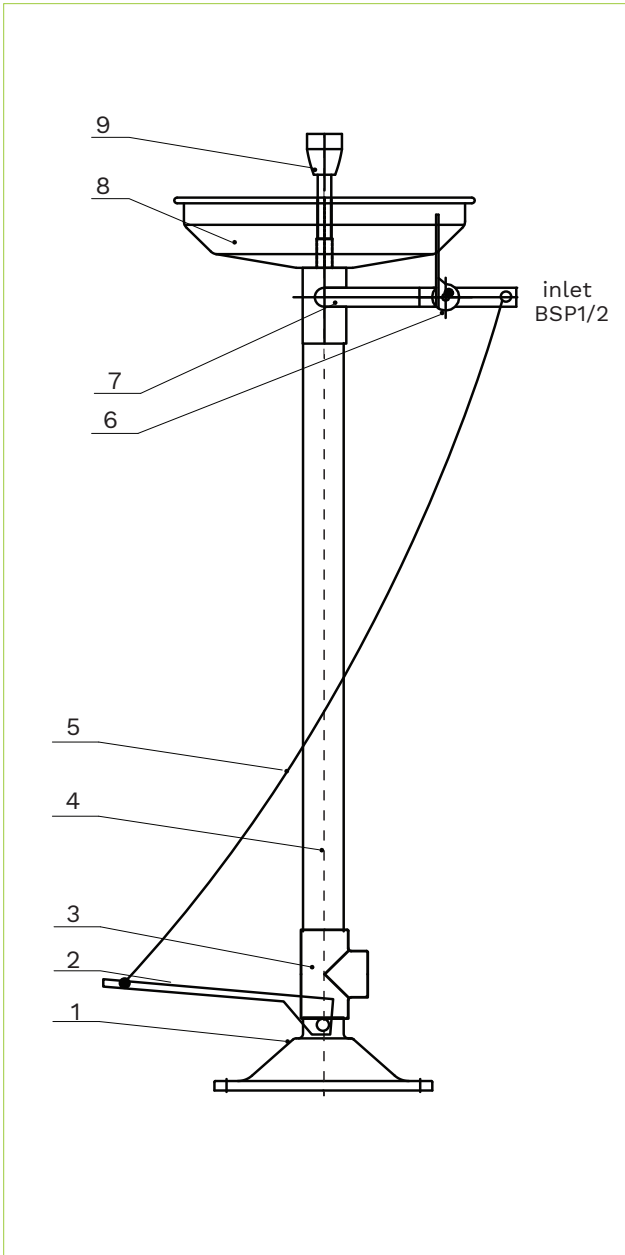
To install the foot pedal:

To install the foot pedal connection to the push handle:

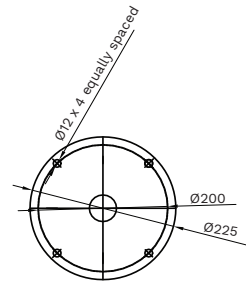
1. Leave the foot pedal and the push handle in open position (parallel to the ground).
2. Connect chain between push handle (6)and pedal (2).

The Push handle must be upright and the pedal should be raised when in a closed position.

Installation Instructions



No.	Description	Qty
01	Base	1
02	Foot Pedal	1
03	1-1/4Drain tee	1
04	Drain pipe	1
05	Chain	1
06	Eye wash push valve	1
07	Hand push valve body	
08	Eye wash basin	1
09	Eye wash sprinkler	1



Base

Figure 2

FREE STANDING STAINLESS STEEL EYEWASH ECO4000EXP - ECO4000FPEXP

Important Note

Location of Unit: The Eye Wash should be installed in close proximity to potential accident areas. It should be clearly identified, free from obstructions and easy to access.

Supply Line: The minimum recommended line size is 1/2" BSP with 200 kPa - 500 kPa flowing pressure. Where sediment or mineral content is a problem, an inlet filter is recommended.

Plumbing Connections: Inlet supply is female 1/2" BSP. Waste outlet is female 1/2" BSP.

1. Mount base plate (1) (Floor Flange to floor, mark the holes for the screws (Figure2). Drill the concrete and screw the floor flange securely into the ground. (Dynabolts provided)
2. Screw tee (3) to base plate (1). For foot pedal model (ECO4000FPEXPW), ensure tee is facing the correct direction.
3. Screw 615mm Stainless Steel pipe (4) to tee (3) on base plate (1).
4. Screw tee onto Stainless Steel pipe.
5. Insert eye wash bowl over the eye wash loop, then screw eye wash (9) to seating and operating position.
6. Screw on the push handle into the eye wash valve assembly (7) to the eye wash assembly (8).
7. Screw the eye wash assembly (8) to the Stainless-Steel pipe (4)
8. Adjust the water flow by screwing/ unscrewing the screw located in between the nozzles.
9. Screw on push handle.

Important Information

- Before installing the eye wash, check for any debris or Te on excess that could block the nozzle of the eye wash.
- The eye wash flow shall be positioned with the flushing fluid nozzles not less than 838mm and no greater than 1143mm from the surface on which the user stands and 153 mm minimum from the wall or nearest obstruction.

Test the shower before using.



ECO4000FPEXP

To install the foot pedal:

To install the foot pedal connection to the push handle:

1. Leave the foot pedal and the push handle in open position (parallel to the ground)
2. Connect chain (5) between push handle (6) and pedal (2).

The Push handle must be upright and the pedal should be raised when in a closed position.

Installation Instructions

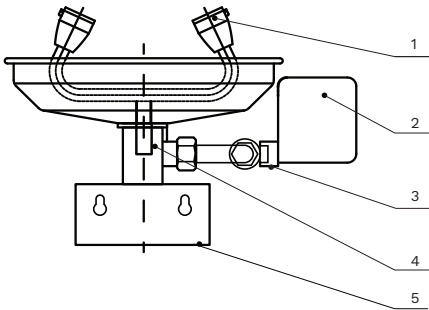
STAINLESS STEEL WALL MOUNTED EYEWASH ECO4000EXP - ECO4000FPEXP

Important Note

Location of Unit: The Eye Wash should be installed in close proximity to potential accident areas. It should be clearly identified, free from obstructions and easy to access.

Supply Line: The minimum recommended line size is 1/2" BSP with 200 kPa – 500 kPa flowing pressure. Where sediment or mineral content is a problem, an inlet filter is recommended.

Plumbing Connections: Inlet supply is female 1/2" BSP. Waste outlet is female 1/2" BSP.



No.	Description	Qty
01	Eye Wash Sprinkler	2
02	Hand Push Plate	1
03	Eye wash push valve	1
04	Non Standard tee	1
05	Wall Mounted Plate	1

1. Drill the wall positioned in adherence to AS/NZ 4775 (make sure the wall -surface can hold the Eye wash bracket)
2. Mount wall bracket (4) to wall securely, positioned in adherence to AS/ NZ 4775
3. Screw tee (3) to wall bracket (4)
4. Insert eye wash bowl over the eye wash loop, then screw eye wash (1) to seating and operating position.
5. Screw on the push handle (2) into the eye wash valve assembly (5), connect to the eye wash assembly (10).
6. Screw the eye wash assembly (10) to the Stainless-Steel pipe - tee (3)
7. Adjust the water flow by screwing/ unscrewing the screw located in between the nozzles.
8. Connect inlet to male 1/2" BSP.
9. Screw on push handle (2) to main eye wash assembly (3).
10. Waste outlet can be connected to the sewer or left as if for free flow drainage.

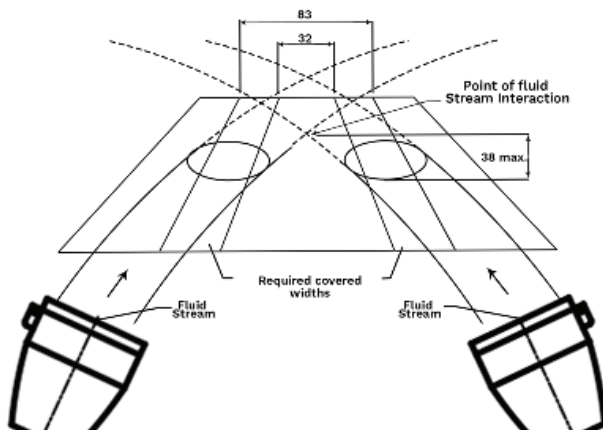
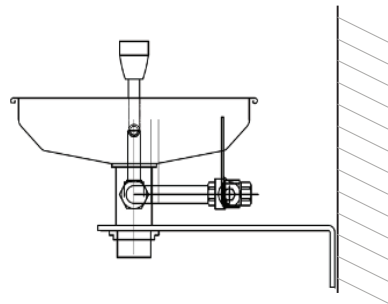
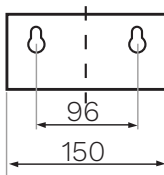
Important Information

- Before installing the eye wash, check for any debris or Teflon excess that could block the nozzle of the eye wash.
- The eye wash flow shall be positioned with the flushing fluid nozzles not less than 838mm and no greater than 1143mm from the surface on which the user stands and 153 mm minimum from the wall or nearest obstruction. **Test the shower before using.**

STAINLESS STEEL WALL MOUNTED EYEWASH ECO4000EXP - ECO4000FPEXP

Wall Mount Bracket

1. Drill the wall positioned in adherence to AS/NZ 4775 (make sure the wall - surface can hold the Eye wash bracket)
2. Mount wall bracket (4) to wall securely, positioned in adherence to AS/NZ 4775
3. Screw tee (3) to wall bracket (4)



Important Information

The unit shall be positioned with the flushing fluid nozzles not less than 838mm and no greater than 1143mm from the surface on which the user stands and 153 mm minimum from the wall or nearest obstruction.

Installation Instructions

FREE STANDING STAINLESS STEEL EMERGENCY SHOWER ECO2020EXP

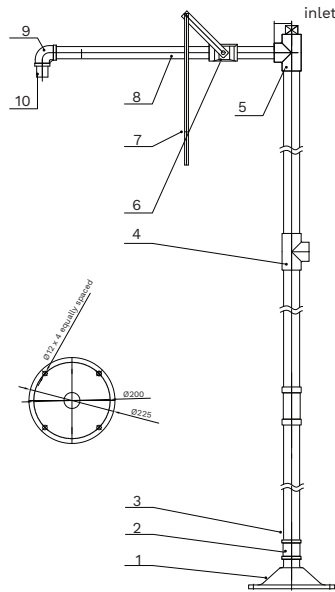
Important Note

Location of Unit: The Safety Shower should be installed in close proximity to potential accident areas. It should be clearly identified, free from obstructions and easy to access.

Supply Line: The minimum recommended line size is 1 1/4" BSP with 200 kPa - 500 kPa flowing pressure. Where sediment or mineral content is a problem, an inlet filter is recommended.

Plumbing Connections: Inlet supply is female 1-1/4" BSP. Waste outlet is female 1-1/4" BSP.

1. Mount base plate (1) to floor, mark the holes for the screws. Drill the concrete and screw the floor flange securely into the ground. (Dynabolts provided)
2. Screw the pipe band (2) to base and connect Stainless Steel pipe (3) to the other end of the adaptor.
3. Screw the second pipe band (2) connector the stainless steel pipe (3).
4. Screw reduced tee(4) on to (18) pipe. Screw(20) plug into (19) tee.
5. Screw reduced tee (5) on to pipe. Screw plug into the tee.
6. Screw on ball valve (6) to the pipe (8).
7. Screw shower elbow (9) and the connecting pipe to ball valve outlet (10).
8. Assemble pull handle (7) to ball valve (6) and screw. The handle (should be in a 10 o'clock position when closed and pulled down to activate).



No.	Description	Qty
01	Base	1
02	Pipe bands	2
03	Inlet Pipe	3
04	Inlet Tee	1
05	Tee	1

06	Shower hand valve	1
07	Shower Rod	1
08	1" Shower Pipe	1
09	Shower bend	1
10	Shower head	1

WALL MOUNTED / CEILING MOUNTED STAINLESS STEEL EMERGENCY SHOWER

Important Note

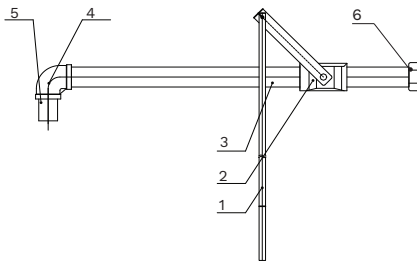
Location of Unit: The Safety Shower should be installed in close proximity to potential accident areas. It should be clearly identified, free from obstructions and easy to access.

Supply Line: The minimum recommended line size is 1" BSP with 200 kPa - 500 kPa flowing pressure. Where sediment or mineral content is a problem, an inlet filter is recommended.

Plumbing Connections: Inlet supply is female 1" BSP. Waste outlet is female 1" BSP.

ECO2000EXP

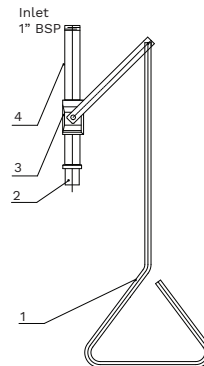
1. Measure the shower height, it must be in accordance with AS/NZ 4775.
2. Connect the fixed base and Stainless Steel pipe(3) to the exposed female inlet supply using the thread tape.
3. Screw on ball valve (2). Screw the handle (1) in the valve operating switch. The handle should be in a 10 o'clock position when closed and pulled down to activate (see line drawing)
4. Screw shower elbow (4) and pipe (3) to ball valve outlet.



No.	Description	Qty
01	Shower rod	1
02	Shower hand valve	1
03	1" Shower pipe	1
04	Shower bend	1
05	Shower head	1
06	1-1/4 x 1" Nipple	1

ECO2010EXP

1. Connect the fixed base and Stainless Steel pipe to the exposed female inlet supply.
2. Screw on ball valve. The handle should be in a 2 o'clock position when closed and pulled down to activate.
3. Screw stainless steel pipe to ball valve outlet.
4. Screw shower head onto stainless steel pipe.
5. Fit pull handle to ball valve.



No.	Description	Qty
01	Shower rod	1
02	Shower head	1
03	Shower hand valve	1
04	1" Shower pipe	1

GENTEC PRODUCT QUALITY WARRANTY

You have purchased a quality product from GENTEC Australia Pty Ltd ABN 581 552 50285). This product is covered by **2 Years Warranty on the construction, 1 year warranty parts and labour on the complete assembly.**

Warranty

1.1 This warranty is given by the Principal subject to the terms and conditions set out in this document.

1.2 The Principal warrants that the Goods are free from defects in materials and workmanship for the time period specified for the Goods in the Product Index. If Your Goods are found to be defective within that time, we will repair or replace the Goods.

1.3 This warranty does not cover accidental damage, wear and tear, consequential or incidental loss, or any damage caused by You, including if the Goods were not installed in accordance with the manufacturer's instructions, the PCA and AS/NZS3500.

1.4 You are required to service the Goods regularly. Failure to do so may cause this warranty to be voided.

2. Procedure

2.1. If you consider that the Goods are defective, you must cease use of the Goods immediately and provide notice to the Principal in writing as soon as is reasonably practicable after discovering the alleged defect.

2.2. The notice referred to in clause 2.1 must state the following:

- 2.2.1 the alleged defective Goods;
- 2.2.2 what the alleged defects are;
- 2.2.3 where the Goods are located;
- 2.2.4 when the Goods were purchased
- 2.2.5 the invoice number relating to the purchase of the Goods;
- 2.2.6 whether the main water to the unit is able to be turned off;

2.2.7 include pictures of the alleged defect; in a reasonable time.

2.2.8 completed credit card authorisation in the form set out in Schedule 2 to these conditions accepting liability in accordance with clause 2.6 if the product is not faulty.

2.3 The Principal will, on receipt of a notice in accordance with clause 2.2, issue a case number for the investigation of the alleged defective Goods.

2.4 In the event that the Goods are to be returned to the Principal You may bring or send them to one of our service locations or sites. If the cost of returning the goods to us is significant because of the nature of the failure or because of the size or height of the goods, the Principal will collect the goods from you within a reasonable time of You providing notice in accordance with clause

2.2. If the cost of returning the Goods to us is not significant, you are responsible for this cost (although, you are entitled to compensation for reasonably foreseeable costs incurred because of the defect, including the cost of returning the goods to us for repair, replacement or return).

2.5 In the event that the Principal or its agent are required to inspect the Goods at the location of their use or storage, You will, on reasonable notice, allow the Principal to inspect the allegedly defective Goods at the location of their use or storage.

2.6 You are responsible for Your expenses relating to a warranty claim, except as otherwise provided for in this document. If the Principal is required to attend Your site to inspect the Goods, and it is found that there is no defect or the defect has been caused by the circumstances listed in clause 1.3, You will be responsible for the Principal's reasonable costs of attending Your site. Where reasonably possible, we will notify you to give you the option of paying for a repair or replacement (however, we have no obligation to do so). We will also provide you with all relevant information

Warranty

associated with obtaining a repair or replacement of the good (including the costs involved and how the repair or replacement will be performed).

2.7 If the Principal agrees that the Goods are defective, they will be replaced or repaired within a reasonable time.

2.8 You have a duty to mitigate your loss in relation to a warranty claim. You must notify the Principal of major failures of the Goods within 3 business days of you becoming aware of such major failure. If you fail to notify us within this timeframe, then we disclaim all liability for consequential or indirect loss as well as losses of revenue or profits

2.9 For the avoidance of doubt, it is in the Principal's sole discretion as to whether or not the Goods are defective and therefore covered by the warranty provided in this document. Any invoices for services or replacement products will not be paid for by the Principal without prior written authorisation.

3. Mandatory Warranties

3.1 The Goods come with guarantees that cannot be excluded under the Australian Consumer Law. You are entitled to a replacement or refund for a major failure and compensation for any other reasonably foreseeable loss or damage. You are also entitled to have the Goods repaired or replaced if the Goods fail to be of acceptable quality and the failure does not amount to a major failure.

4. Exclusion of Warranties and Limitation of Liability

4.1. Except as may be set out in this document and the Quote, the Principal make no express warranties or representations in relation to the Goods or their delivery.

4.2. To the full extent permitted by law, the Principal:

4.2.1 excludes all implied warranties and conditions under statute or general law as to merchantability, description, quality, suitability, fitness for purpose or otherwise;

4.2.2 is not liable for loss of profit, indirect, consequential or incidental loss, damage or

injury in connection with the Goods;

4.2.3 is not liable for the labour costs associated with replacing the Goods;

4.2.4 is not be liable for any transport or freight costs in relation to any warranty claim and the repair or replacement of the Goods;

4.2.5 limits its liability in connection with the Goods (however arising, whether in tort, contract or otherwise) at its option and sole discretion to:

4.2.5.1 replace the Goods or the supply of its equivalent;

4.2.5.2 repair the Goods;

4.2.5.3 pay for the cost of replacing the Goods or acquiring their equivalent; or

4.2.5.4 pay for the cost of having the Goods repaired.

4.3 The warranties given by the Principal will not apply in the event of defects, failures or other matters regarding the goods where due to:

4.3.1 an act, default, omission or representation made by some other person, excluding Gentec or its manufacturer (for example, damage caused by the misuse or mistreatment of the good by the customer or someone else);

4.3.2 without limitation to (4.3.1) above, a failure to install the goods in accordance with any plumbing codes of practice prescribed by an Australian Federal or State Government body or organisation (including regulators), any plumbing codes of practice generally or any guidelines or instructions issued by the Principal in relation to the Goods; or

4.3.3 a cause independent of human control that occurs after the goods left our control.

4.4 Any of the warranties given by the Principal may be voided by failing to comply with the directions set out in the various user manuals or other instructional material provided to You by the Principal in relation to specific Goods

4.5 However, nothing in this clause will prevent You from exercising any rights which You may have under the Competition and Consumer Act 2010 or any other law which cannot by law be excluded or modified by agreement.

5. Notices

5.1 Any notice in connection with this document must be given in writing.

5.2 Any notice in connection with this document is taken to be received:

5.2.1 if hand-delivered, on delivery;

5.2.2 if faxed, at the local time (in a place of receipt of that fax) which then equates to the then time at which the fax is sent as shown on the transmission report which is produced by the machine from which that fax is sent and which confirms transmission of that fax in its entirety unless that local time is not a Business Day, or is after 5pm on a Business Day, in which case that communication will be deemed to have been received at 9am on the next Business Day;

5.2.3 if emailed, at the local time (in a place of receipt of that email) which then equates to the then time at which the email is sent as shown on the transmission report which is produced by the computer from which that email is sent and which confirms transmission of that email in its entirety unless that local time is not a Business Day, or is after 5 pm on a Business Day, in which case that communication will be deemed to have been received at 9 am on the next Business Day; and

5.2.4 if posted, seven (7) days after being placed in the post; unless a later date is specified in it, and takes effect on the date it is taken to be received.

5.3 The address for any notice to be delivered to the Principal is as follows:

**Unit 6 20-28 Ricketty St,
Mascot, Sydney, NSW 2020**

info@gentecaustralia.com.au

P: +612 9319 4422

F: +612 8088 7635



MAR-IM-ECO01-JT-20211207