

CLEANLINE - Capstan Basin Set

CAP0001_4

Bench Mounted Basin Set with 114mm Curved Fixed Spout and Capstan Handles

6 star 3.5 lpm
(Nominal Flow : 3.1 lpm)



Product Features



- No crevices to eliminate bacterial build-up
- Red, Yellow & Blue button indicators supplied
- Soft seal, easy action ceramic disk cartridge
- Allen key fixings for secure handles and outlets
- Interchangeable Handles (100mm Lever, 150mm Lever and Capstan)
- Three cartridges used in all Cleanline products for easier maintenance
- 6-star 3.5lpm available
- Product customisation available
- Recommended for use in health and aged care projects

Technical Information



Materials	Body: DZR Brass Handle: Zinc Alloy
Cartridge	Ceramic Disk (Quarter Turn)
Cartridge Size	15mm
Inlet	15mm (G 1/2" BSP)
Outlet	Aerated Flow
Working Pressures	50kPa-500kPa
Recommended Working Pressures	350kPa
Working Temperatures	5°C - 80°C
Finish / Colour	Chrome Plated
Warranty	2 years*

Product Certifications



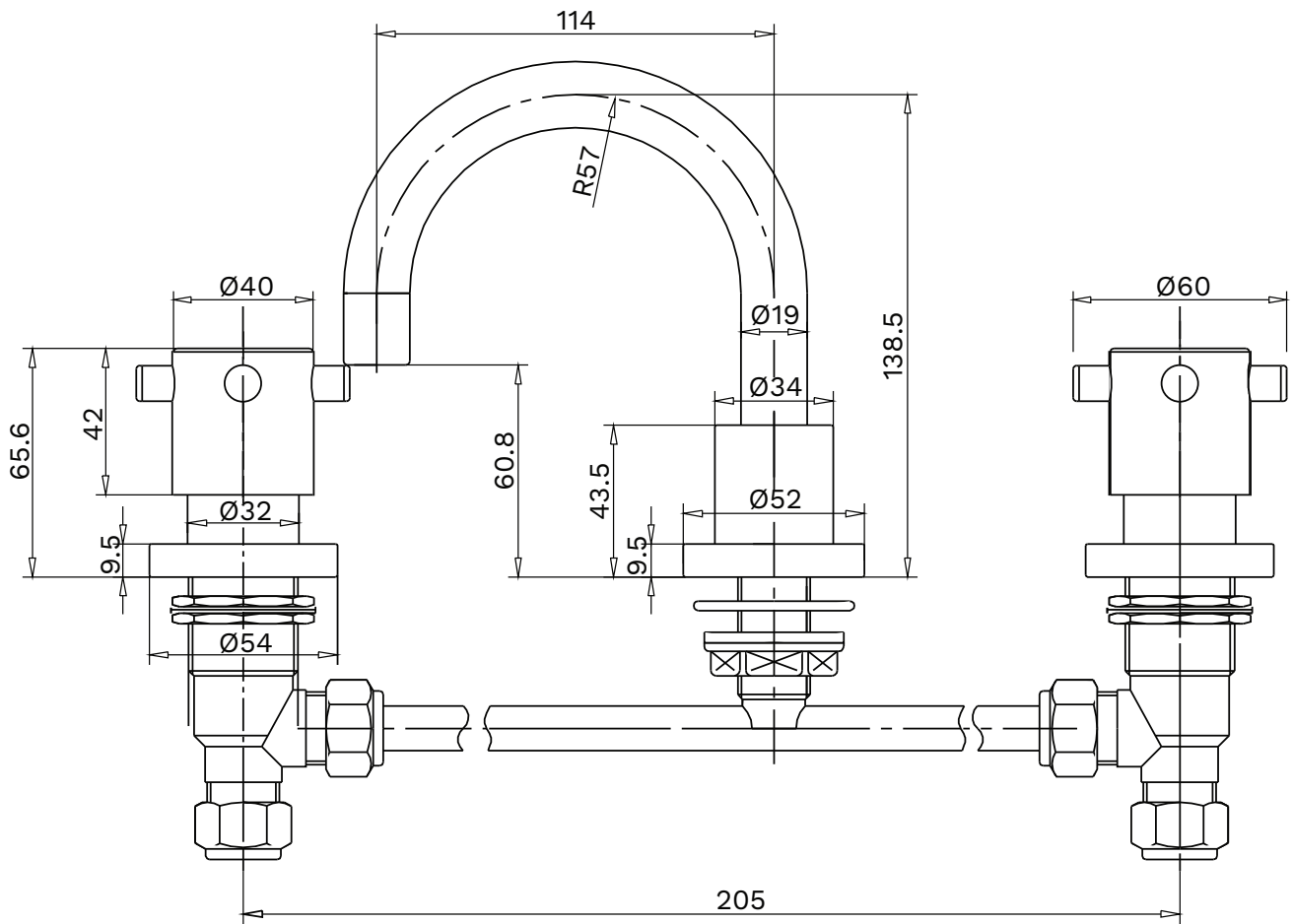
WELS: T16035



Unit 6, 20 - 28 Ricketty St, Mascot, NSW 2020 P: +612 9319 4422 F: +612 8088 7635 E: info@gentecaustralia.com.au

Note: The information provided is only a guide, actual product may differ. The information here should not be relied on without clarification with Gentec. Gentec reserves the right to make design changes at any time without notification.

*Subject to terms and conditions, available at www.gentecaustralia.com.au/page/terms_and_conditions



All measurements are in millimetres and should be used as a guide only



Unit 6, 20 - 28 Ricketty St, Mascot, NSW 2020 P: +612 9319 4422 F: +612 8088 7635 E: info@gentecaustralia.com.au

Note: The information provided is only a guide, actual product may differ. The information here should not be relied on without clarification with Gentec. Gentec reserves the right to make design changes at any time without notification.

*Subject to terms and conditions, available at www.gentecaustralia.com.au/page/terms_and_conditions